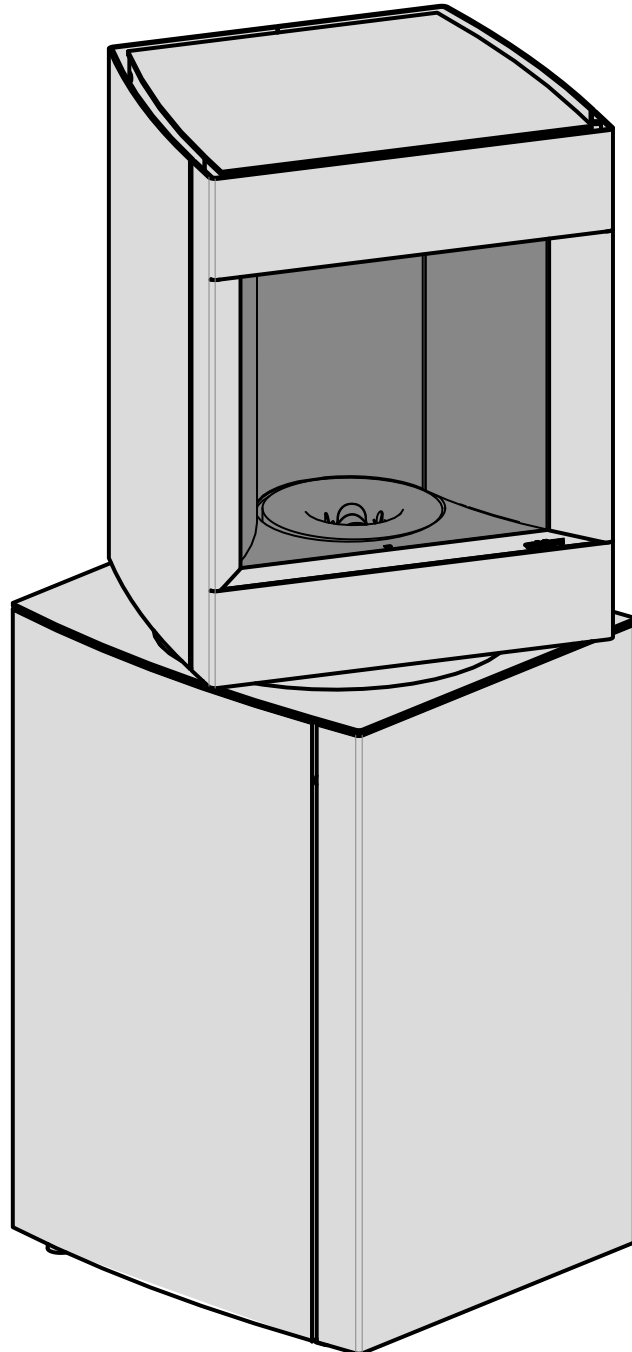


Directions for use

EN

This guide is available in digital format at:
www.stuv.com

Find us also on:



stuv P-10.3

April 2023
SN 242026 > ...
APF 137

WELCOME TO THE WORLD OF STÛV!

You have just opted for an eco-friendly, high-performance heating system.

We hope that you enjoy using it from this moment on.

You will find advice and instructions for the use and maintenance of your Stûv in this document.

CONTENTS

PRESENTATION OF THE PRODUCT	6
Standards, certification and technical characteristics	6
Stûv P-10 marking	9
Kennzeichnung des Stûv P-10	9
Materials and main components	10
Recommendations for dismantling, recycling and disposal of the appliance at the end of its life cycle	10
Legal terms of use	10
Dimensions	11
Overview of the stove components	12
How does your Stûv P10 work?	13
Fuel	14
USE	15
General recommendations	15
safety distance to combustible materials	15
Recommendations before first use	16
Initial cautions	16
Basic usage	17
Stûv P10.3 control interfaces	18
MAINTENANCE	33
Daily maintenance	33
Weekly maintenance	34
Annual maintenance	37
IN CASE OF PROBLEMS...	39
Emergency switch	39
Alarm signals	40
PRODUCT DATASHEET (EU 2015/1186)	49
DECLARATION OF PERFORMANCE (EU 305-2011)	50
THE EXTENSION OF THE STÛV GUARANTEE:	51
CONTACTS	55

PRESENTATION OF THE PRODUCT

Standards, certification and technical characteristics

The Stûv P-10 stove (for intermittent operation) comply with the requirements of EN European Standards (in terms of efficiency, gas emissions, safety etc...) **EN 14785**.

Data provided in this notice are supplied by a certified laboratory.

Results of tests according to EN 14785 standards: 2006
Domestic wood pellet convection heating appliances

Stûv P-10s are covered by:

patent nos.:

EP 2304319

JP 5390603

US 8.904.944

US 8.826.899

+ Patents pending

model drawing nos.:

DM/72417

DM/72418

002500942-0001

002500942-0002



Stûv P-10.3

System mass

175 kg

Calculation data for ducts according to EN13384-1

	Minimum power	Maximum power
CO emissions	0,011 %	0,002 %
Heat output	3,7 kw	8,1 kw
Performance	91,6 %	92,0 %
Average smoke temperature	122°C	184°C
Weight-flow ratio of smokes	4,0 g/s	4,9 g/s
Recommended draught	3 Pa	6 Pa
Minimum draught at the output of the appliance for flue calculation	0 Pa	0 Pa

Requirements relating to the electrical power supply

Voltage	230 V
Frequency	50 Hz
Electric power consumption on ignition	1000 W
Electrical power consumption under normal operation	40 W

Requirements relating to fuel

Recommended fuel	Granulés de bois exclusivement
Certification	Din plus, EN plus A1, NF biocombustibles HP
Diameter	6 mm

Air supply requirements

Minimum diameter of the air supply duct	60 mm
Maximum length of air supply duct	5 m
Maximum number of 90° bends	4
Minimum cross-section of combustion air supply from outside (when the fireplace is not connected directly to the outside air)	30 cm ²



In all cases, your installation must comply with standards EN 15287-1 or -2 and their appendices.
Consequently, your smoke flue must comply with standard EN 13384 -1 and its appendix.


Technical parameters for decentralised solid fuel heaters :

Model reference(s) : Stûv P10.3											
Indirect heating function : non											
Direct thermal power : 8,1 kW											
Indirect thermal power : 0,0 kW											
Fuel	Reference fuel (only one):	Other eligible fuel (s):	η_s [x %]:	Emissions from space heating at rated thermal output (*)				Emissions from space heating at minimum heat output (*) (**)			
				P	VOC	CO	NO _x	P	VOC	CO	NO _x
				[x] mg/Nm ³ (13 % O ₂)				[x] mg/Nm ³ (13 % O ₂)			
Wood logs with a moisture content ≤ 25%	no	no	n.d.	n.d.	n.d.	n.d.	n.d.	n.d.	n.d.	n.d.	n.d.
Compressed wood with a moisture content of < 12%	yes	no	89	12	< 1	20	79	3,5	3	137	58
Any other fuel	no	no	n.d.	n.d.	n.d.	n.d.	n.d.	n.d.	n.d.	n.d.	n.d.
Characteristics for use with reference fuel only											
Characteristics	Symbol	Value	Unit	Characteristics	Symbol	Value	Unit				
Heating output				Useful efficiency (gross PCI)							
Thermal output	P _{nom}	8	kW	Useful efficiency at rated thermal output	$\eta_{th, nom}$	92,0	%				
Minimum thermal output (indicative)	P _{min}	3,7	kW	Useful efficiency at minimum heat output (indicative)	$\eta_{th, min}$	91,6	%				
Auxiliary power consumption				Type of heat output/room temperature control temperature control (select one type only)							
At rated thermal output	e _{l_max}	0,028	kW	single-stage heat output control, no room temperature control				no			
At minimum thermal output	e _{l_min}	0,025	kW	two or more manual controls, no room temperature control				no			
In standby mode	e _{l_SB}	0,004	kW	room temperature control with mechanical thermostat				no			
Power required by the permanent pilot light				electronic room temperature control				no			
Power required by the permanent pilot (if applicable)	P _{pilot}	n.d.	kW	electronic room temperature control and daily programmer				no			
				electronic room temperature control and weekly programmer				yes			
				Other control options (select one or more options)							
				room temperature control, with presence detector				no			
				room temperature control, with open window sensor				no			
				remote monitoring				yes			
Contact details	Stûv s.a. Rue Jules Borbouse,4 5170 Bois-de-Villers Belgique										

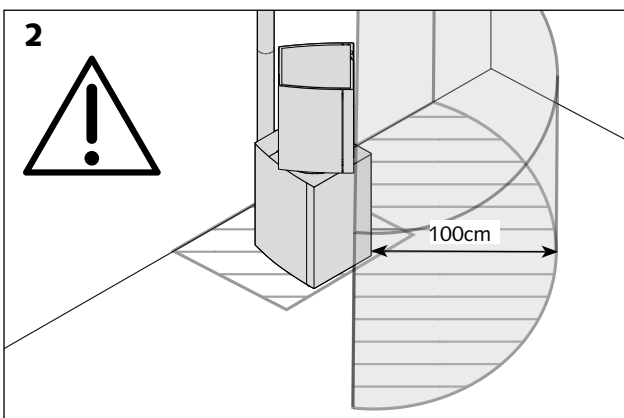
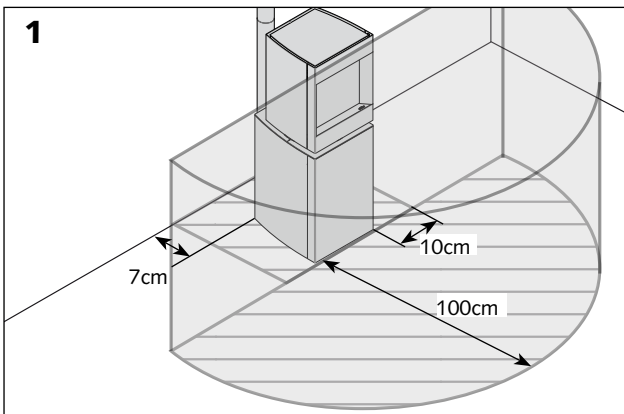
(*) P = particle, VOCs = volatile organic compounds, CO = carbon monoxide, NO_x = nitrogen oxides.


(**) Required only if the correction factor F(2) or F(3) is applied.

Stův P-10 marking


	Heating output Emissions (à 13% oxygen content)			nominal P 8.1kW CO 20mg/ NOx 79mg/Nm ³ OGC <1mg/Nm ³ PM 11.9mg/	reduced 3.7kW 137mg/Nm ³ 58mg/Nm ³ <1mg/Nm ³ 3.5mg/Nm ³
	Stův S.A. Rue Jules Borbouse 4, 5170 Bois-de-Villers Stův P10.3 23	Minimum flue gas draught Average temperature of the smoke at the appliance's outlet			p 6Pa T 184°C
EN 14785:2006 Notified Body 1880 Declaration of performance number: QA221478501 Read and follow operating instructions	Minimum clearance distance from combustible materials			dr 70mm ds 100mm df/dl 1000mm	rear sides front
Version française disponible dans la notice d'utilisation Nederlandse versie beschikbaar in de gebruikersgids Deutsche Version in der Installationsanleitung La versione italiana è disponibile all'interno della guida utente Versión española disponible en el manual del usuario Versão portuguesa disponível no Manual do Utilizador Česká verze je k dispozici v uživatelské příručce Wersja polska dostępna w instrukcji obsługi	Appliance efficiency			Turntable appliance : 1000 mm in range of inspection window dc 800mm db 0mm	top bottom
Use only recommended fuel : Wood pellets diameter 6 mm, quality standard EN+A1	Rated input power			η _{nom} 92.0% η _{part} 91.6%	nominal reduced
	Rated voltage			1000W peak 40W average 230V	
	Rated frequency			50Hz	

Minimum clearance distance from combustible materials








ENERG
 енергия - ενεργεια
 Y IJA
 IE IA


P-10.3

- A⁺⁺
- A⁺
- A
- B
- C
- D
- E
- F
- G

A⁺⁺

8,1

kW

ENERGIA - ЕНЕРГИЯ - ΕΝΕΡΓΕΙΑ - ENERGIJA - ENERGY - ENERGIE - ENERGI

2015/1186

Materials and main components

The Stûv P-10 consists mainly of:

- > Painted steel sheets/tubes for structural and facing elements
- > The bottom facings are available in a oak-veneered wood panel finish (light or dark)
- > Vermiculite for the inside of the combustion chamber
- > Cast steel for the structural elements of the burner
- > Aluminium for the smoke extraction flue
- > HDPE for the Pellet hopper

> Remote control with PP body and PC screen, lithium-ion battery.

> A trim finishing kit is available to trim the bottom facings. In this case, the installer should check that the material chosen corresponds to the use for which it is intended.

All of these components are deemed to be compliant within tolerances and national practices.

Recommendations for dismantling, recycling and disposal of the appliance at the end of its life cycle

Stûv has a determinedly proactive responsible environmental approach. We think about the end-of-life of our products.

Each of the device's components can be isolated so that sorting can be carried out and therefore optimum recycling.

Removal of the various parts must be done in accordance with local and national regulations.



Legal terms of use



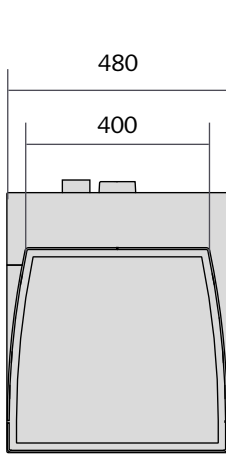
⚠ This appliance must not be used by children under 8 years of age.

⚠ This appliance may only be used by persons with reduced physical, sensory or mental capabilities if they are supervised or trained in the safe use of the appliance.

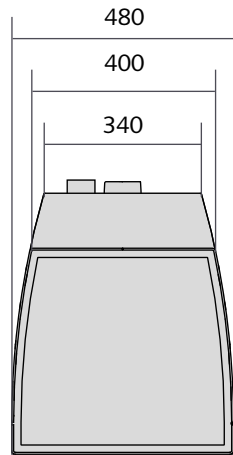
⚠ Cleaning and maintenance by the user must not be carried out by unsupervised children.

⚠ Children must not play with the appliance! Some parts of the fireplace - the glass and the outer walls - can be very hot even in normal use (rated power) and the radiation from the glass can be high.

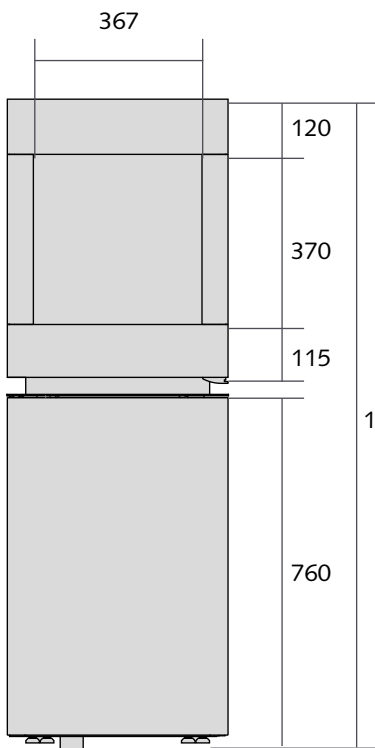
Dimensions



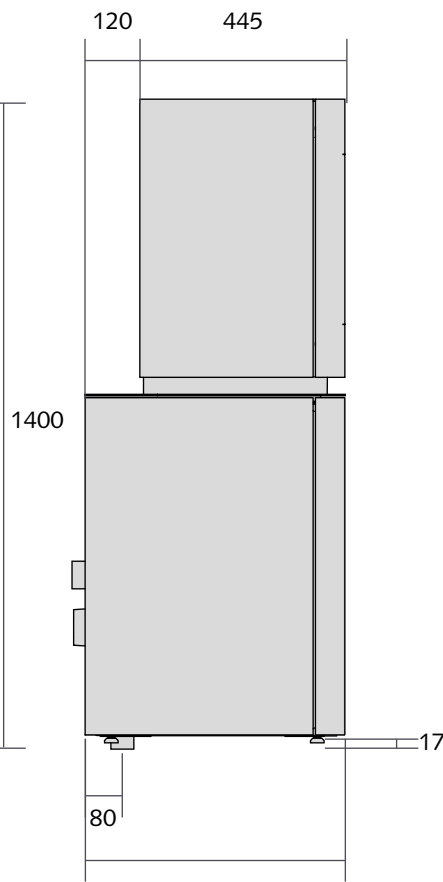
wood and "to be trimmed" version



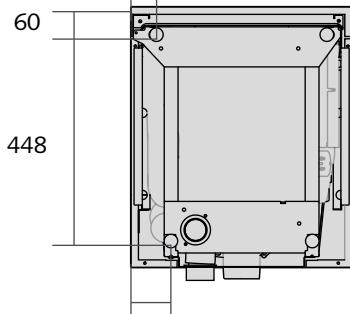
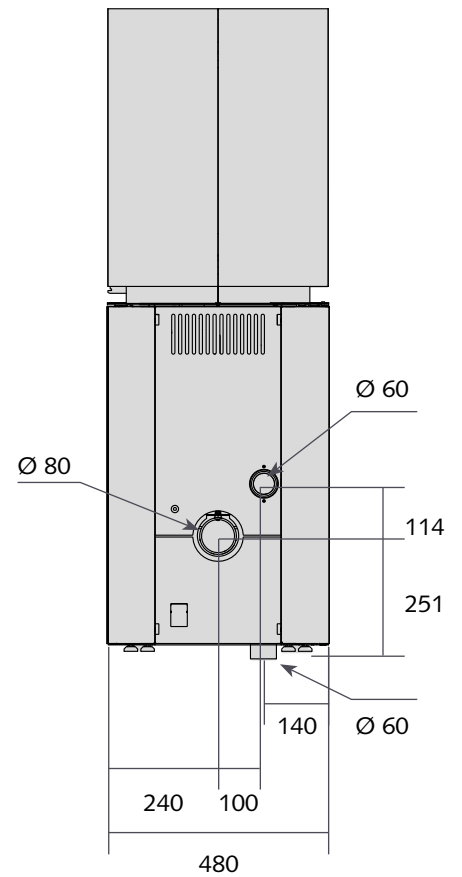
sheet metal version



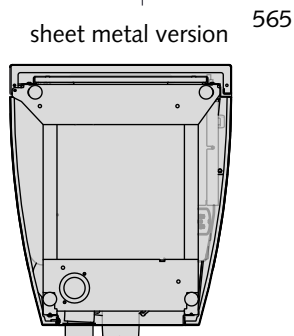
55 wood and "to be trimmed" version



sheet metal version

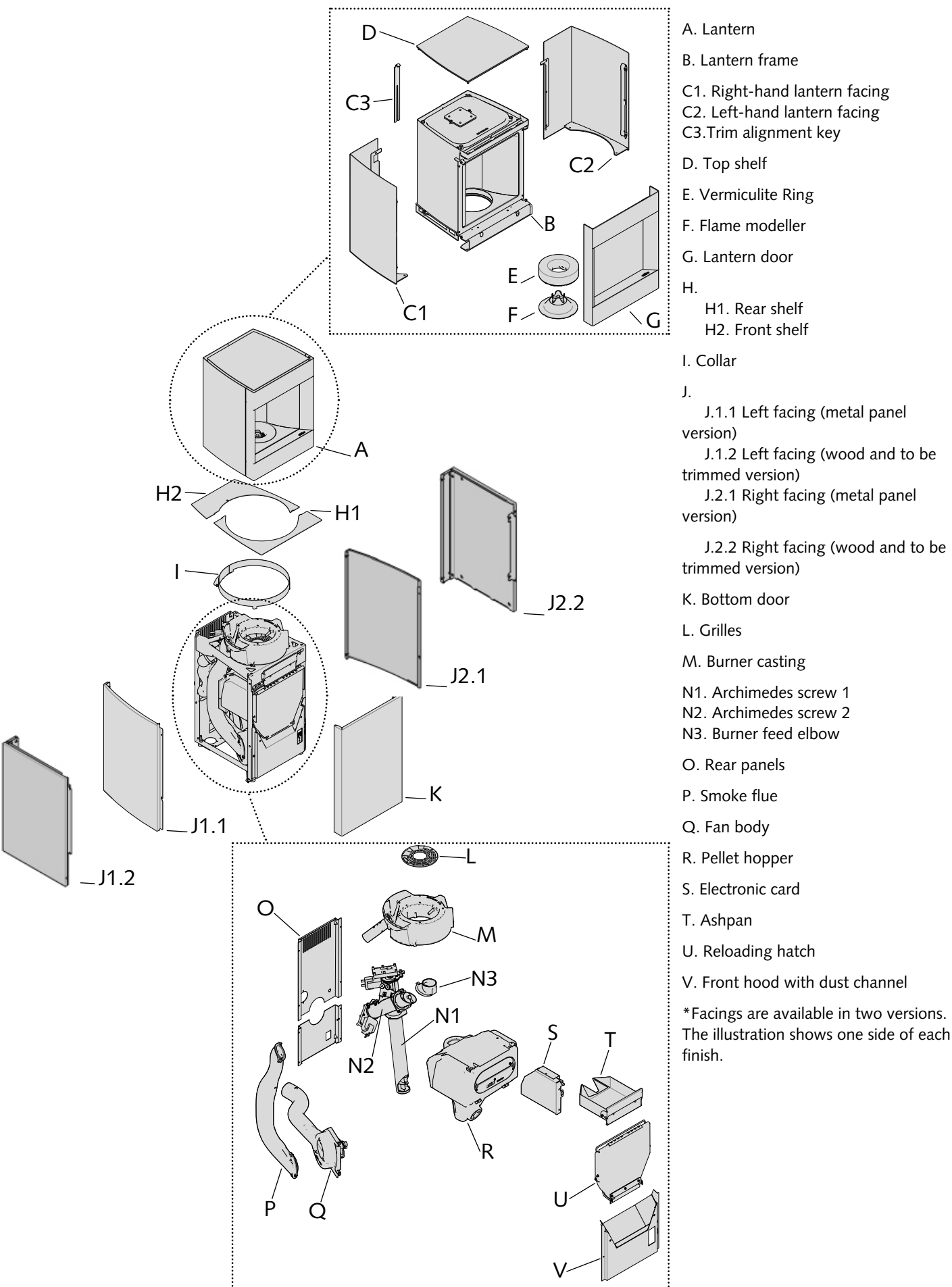


70



565

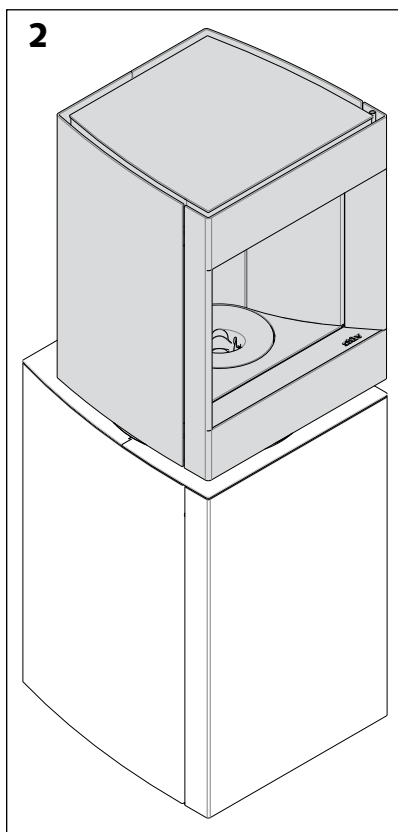
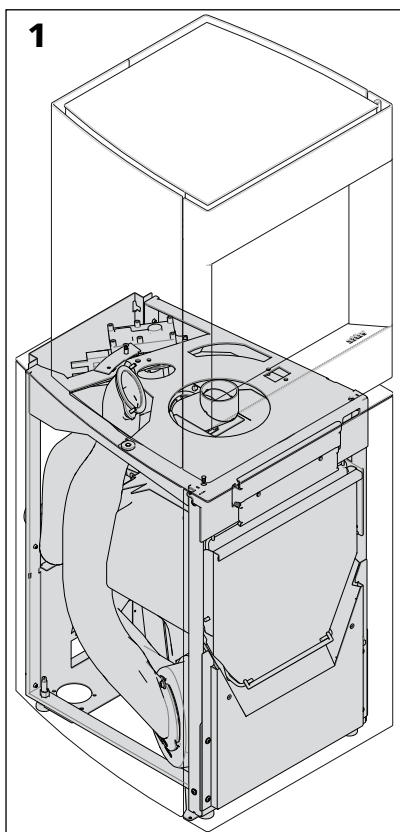
Overview of the stove components



- A. Lantern
- B. Lantern frame
- C1. Right-hand lantern facing
- C2. Left-hand lantern facing
- C3. Trim alignment key
- D. Top shelf
- E. Vermiculite Ring
- F. Flame modeller
- G. Lantern door
- H.
 - H1. Rear shelf
 - H2. Front shelf
- I. Collar
- J.
 - J.1.1 Left facing (metal panel version)
 - J.1.2 Left facing (wood and to be trimmed version)
 - J.2.1 Right facing (metal panel version)
 - J.2.2 Right facing (wood and to be trimmed version)
- K. Bottom door
- L. Grilles
- M. Burner casting
- N1. Archimedes screw 1
- N2. Archimedes screw 2
- N3. Burner feed elbow
- O. Rear panels
- P. Smoke flue
- Q. Fan body
- R. Pellet hopper
- S. Electronic card
- T. Ashpan
- U. Reloading hatch
- V. Front hood with dust channel

*Facings are available in two versions. The illustration shows one side of each finish.

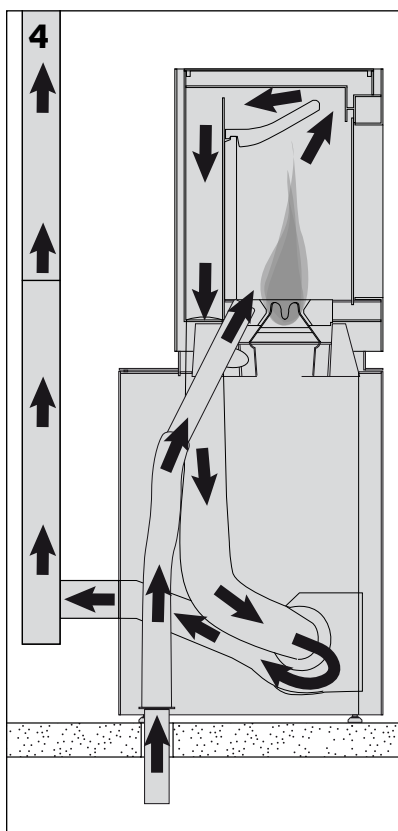
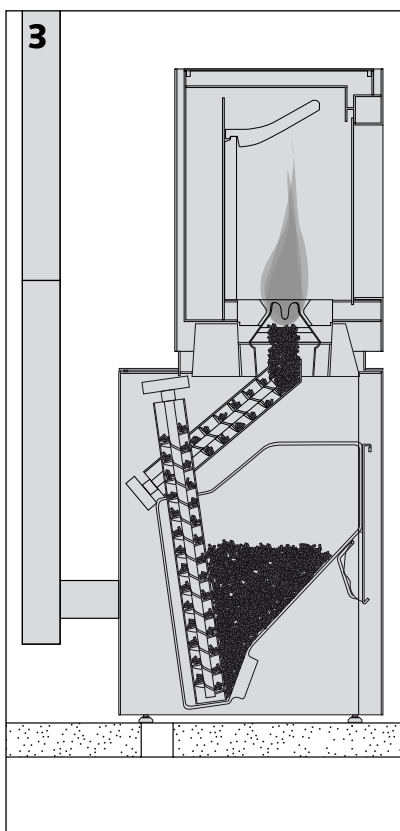
How does your Stûv P10 work?



The Stûv P-10 is a wood pellet stove consisting of two major parts:

- A base containing the pellet hopper, the fuel and combustion feed, smoke extraction and all the electronics and sensors enabling the operation of the appliance to be adjusted and set [diagram 1].

- A pivoting lantern where the burning of the pellets takes place. This top part also radiates and diffuses convection heat; it is fitted with a window which gives a view of a beautiful large flame [diagram 2].



The device has an electronic management system operating on two variables to provide optimal thermal comfort. Depending on the user's requirements, the Stûv P-10 will adjust its output and maintain this by adjusting:

- The quantity of pellets burned [diagram 3]

- The quantity of air supplied to combustion [diagram 4]



What are wood pellets?

Wood pellets are a solid and eco-friendly fuel made from sawmill waste. Sawdust is compressed without glue or binder so as to obtain a standardised cylinder with a high density and low moisture. These characteristics give the granules significant calorific power.

Which pellet should I choose?

The Stûv P10's performance may vary depending on the pellets used. For correct use, the pellets must comply with ENplus or DINplus A1 or NF high performance certifications. These references ensure that the pellets have the following features:

- composition: 80-100% resinous wood
- diameter: 6 mm
- Min-max length: 3 - 40 mm
- humidity level: $\leq 10\%$
- ash level: $\leq 7\%$

Burning any liquid or solid other than pellets that comply with the ENplus/DINplusA1/NF high performance standard is prohibited!

The consequences of burning inappropriate pellets

Burning pellets that do not fulfil the above-mentioned criteria can result in device malfunctions such as:

- damage to the glass and smoke ducts
- noise
- burner getting clogged up
- build up of dust in the hopper
- etc.

If you notice one or more of these when using your device, we recommend changing the pellets you are using.

Pellet storage

Pellets must be stored in a dry place where the temperature is

above 5 °C.

They can be stored in bags or in bulk but avoid storage in the open air.

Caution!

Take care not to crush the bags to avoid producing too much dust. Avoid emptying dust into the machine's hopper as this sawdust can disrupt the feed system.

If you use pellets stored in a bag, after opening the bag, use the contents within a relatively short time. Otherwise there is a risk of the pellets getting damp.

**Every Stův P-10 is subjected to a factory check.
There may be traces of combustion or light residues after this test.**

General recommendations

⚠ Important!

In order to best use the qualities of your appliance and avoid any danger, the following instructions must be followed:

- > Install the stove according to industry best practice and local or national regulations. A qualified professional will ensure compatibility of the flue.
- > Read these instructions carefully and keep them.
- > Observe the instructions for maintenance.
- > Never use the appliance with the door open or a broken window.
- > Never use inflammable liquid in or around the appliance when it is operating.
- > Only use pellets of the recommended quality (DINplus or ENplus A1).
- > Avoid any accumulation of unburned pellets in the burner.
- > Never load the fuel elsewhere than in the hopper.
- > Dispose of ash before each use and empty the ashpan regularly (p.14).

> Please return the warranty registration card (found at the end of this document), duly completed.

Use

The stove should be used in accordance with local and national regulations and European standards.

Some parts of the stove – the glass door and the outside walls – may become very hot even during normal usage (rated power) and significant heat may be radiated from the glass door.

In order to prevent any damage or risk of fire, when the stove is in use, remove all heat-sensitive objects from the radiation area. Take particular care when you leave the room.

Ensure that the glazed part is not facing any materials that are heat-sensitive.

Do not leave young children without supervision in the room where the stove is installed.

Ensure the air inlets and outlets are always kept clear.

Caution!

The appliance is not designed to be used with cooking utensils. Do not place anything on the appliance or on the facings.

Repairs / Maintenance

Any modification carried out to the system may cause danger and will invalidate your guarantee. Only use Stův spare parts in the case of repairs.

Should a fire in the flue get out of control

Do not open the stove's door during the initial period.

Disconnect the device.

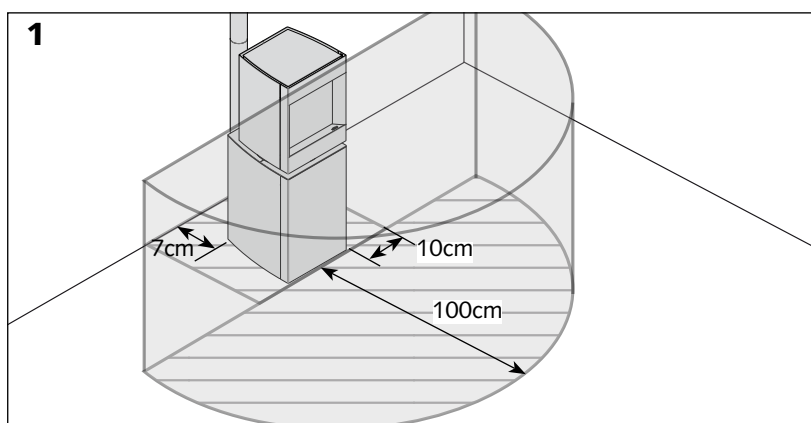
Call the fire brigade.

If the fire has not died down after a few minutes, use a dry powder, soda acid or sand extinguisher (never water).

After a chimney fire, ventilate the room where the stove is situated.

Have the chimney cleaned and inspected by a professional. Have repairs carried out if necessary.

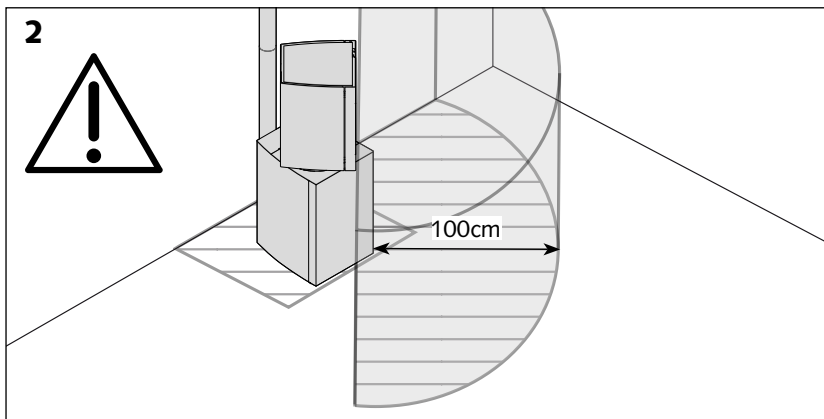
safety distance to combustible materials



The heat radiated from the glass door and the walls may be significant.

Whichever way the stove is pointing, observe the safety distances with regard to combustible materials [diagram 1], or ensure that the materials exposed to radiated heat are resistant to high temperatures.

The safe distances from combustible materials must be respected, even when the device is switched off as it might have been programmed to switch on automatically or be started remotely.



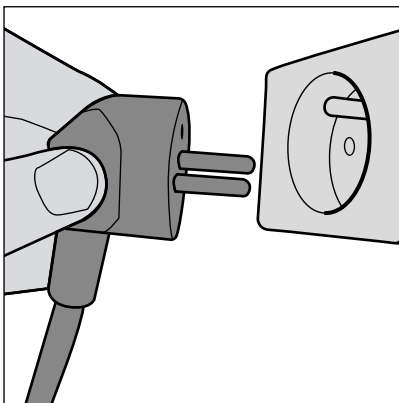
Caution!

Given that the lantern pivots 45° to the left and 45° to the right, the safety distance must follow the direction of the flame [diagram 2].

Warning

Never leave anything on the device's lantern, even when it is switched off!

Recommendations before first use



- > Connect the power supply to the mains (230V - 50Hz)
- > Load the pellet hopper as indicated in the "Basic Procedures" section.

Caution!

As each appliance is tested in the factory, **it is not necessary** to pre-load the Archimedes screw. On the other hand, transport and handling of the Stûv P-10 during installation may have compacted the pellets already in the appliance. Therefore ignore the behaviour of the flame during the first few minutes of operation (it might in particular be more intense than normal).

- > Turn on the appliance by following the steps outlined in the "Lighting the Stûv P-10"

This section relates to the powering up of the appliance. This powering up must be done by an authorised Stûv installer.

The first lighting will help check that each setting is working properly and, if applicable, make fine adjustments to optimise use of the stove depending on the specifics of the installation.

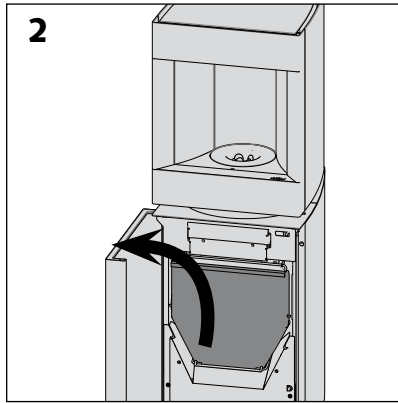
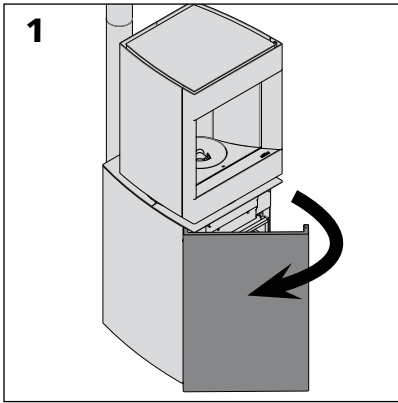
Initial cautions

Before lighting the first fire in the new stove, ensure that no element (piece of hardware, tool, etc.) has fallen into the hopper or remains in the combustion chamber.

The paint is not oven-baked ; it is thus relatively fragile but will harden when heated for the first few times. Consequently, take care when handling the appliance.

When lighting the fire for the first few times, some smoke or unpleasant odours may be released from the paint, the steel's protective oil or the drying of the bricks. We recommend that you keep your first fire burning strongly for several hours with the windows open. The paint will harden and the odours will disappear.

The paint of some components inside the combustion chamber will be covered with a protective layer of carbon resulting from combustion.

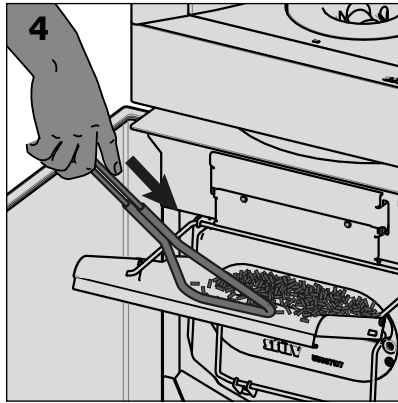
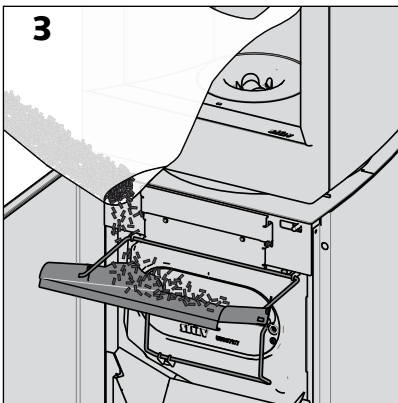


Refuelling with pellets.

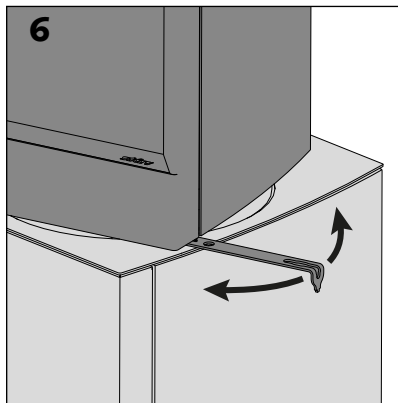
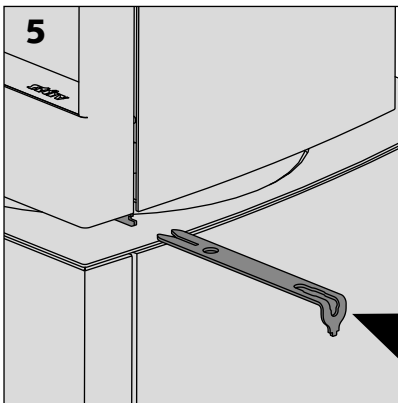
It is advisable to refuel the hopper with pellets when the appliance is not lit.

Caution!

If you refuel with pellets while the unit is operating, please do not leave the door open longer than one minute, as beyond this the appliance might display an alarm or even lock down into "safe" mode.



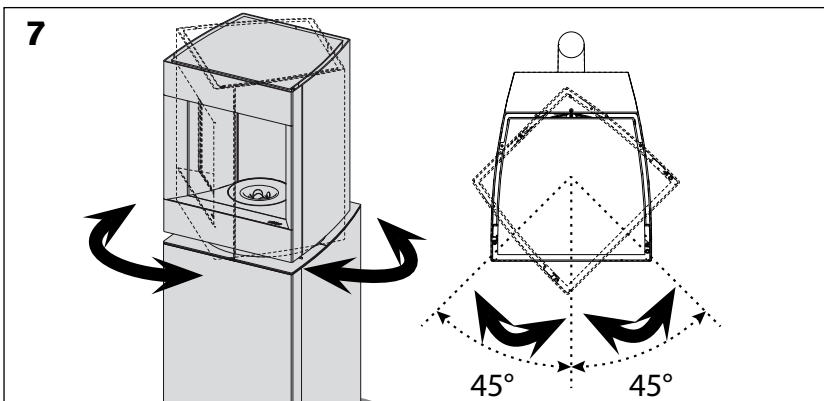
Reminder: it is important to use a quality pellet (complying with DINplus, ENplus A1 or NFhp certifications) and to only pour pellets into the hopper. Avoid pouring in sawdust and dust from the bottom of the bag, as well as any other object. Use the pusher to load more pellets in the hopper and get rid of dust from the valve. Do not use your hands as a watch, bracelet or ring could damage the seal.



The Stûv P-10 is fitted with a sensor that detects the pellet level. If the sensor detects a low level, the unit will reduce its power. If the pellet level rises, the power will go up. If the level continues to drop, the stove will go into "Shutdown" mode.

The ideal is to wait until the sensor emits a sound to fill the tank with a 15kg bag.

After refilling with pellets, close the loading valve, making sure no pellets are stuck in the seal.

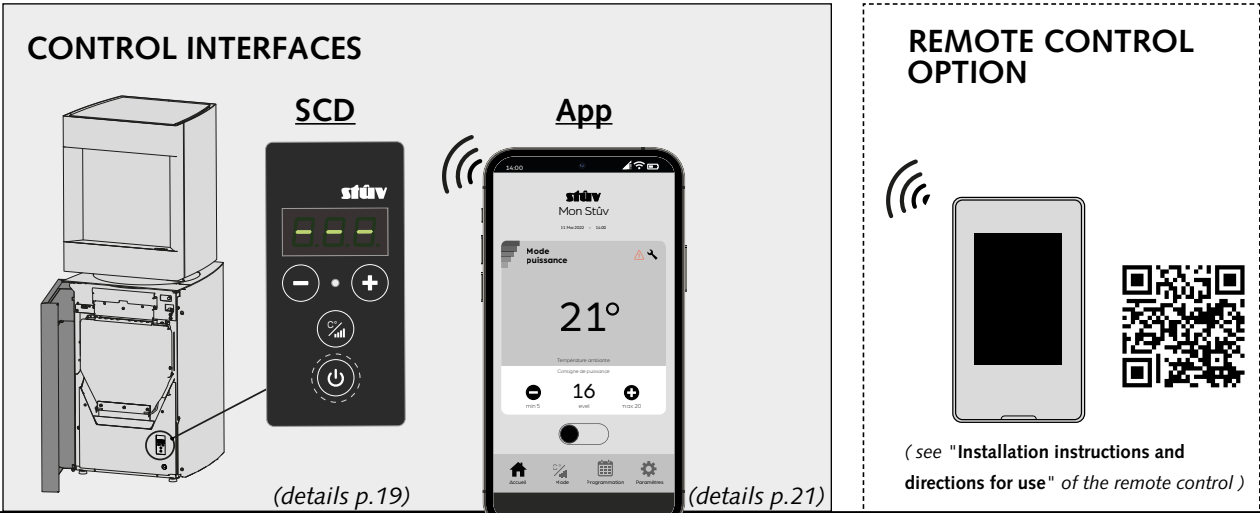


Rotating the lantern

Use the cool handle to turn the device lantern round 90° [diagrams 6-7].

Your Stûv P10.3 can be controlled from three user interfaces that can be operated in parallel. The basic control interfaces are the simplified control display integrated in the appliance (SCD) and the mobile application "STÛV Pellets". The remote control is an option that you can purchase from your dealer.

OVERVIEW OF THE CONTROL INTERFACES AND THE REMOTE CONTROL OPTION



USER FUNCTIONS

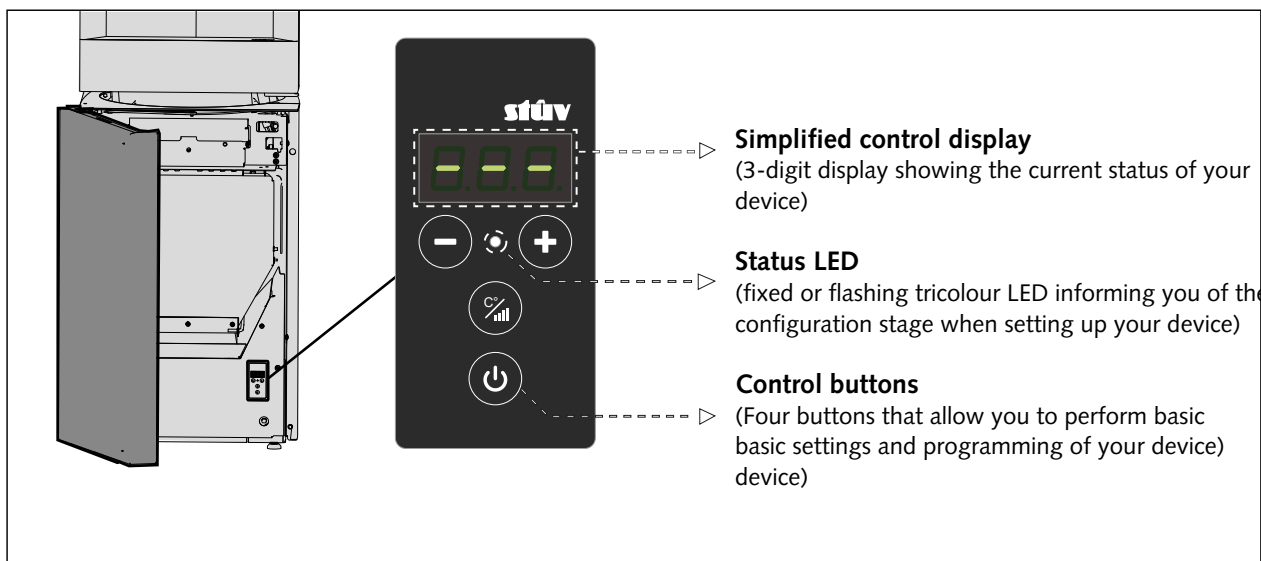
- Switching on/off
- Power/temperature variation setpoint temperature
- Change of operating mode
- Basic functions offered by the SCD
- Remote control of the appliance (smartphone app. STÛV Pellets)
- Advanced programming in calendar mode and setting of temperature temperature modes.
- Access to the user manual
- Maintenance and follow up of the appliance
- Access to the guarantee

- Basic functions offered by the SCD
- Remote control of the appliance
- Advanced programming in calendar mode and setting of temperature modes.
- Thermostatic sensor (allows the room temperature reference to be taken from the place in the living room where you place it).

ADVANCED FUNCTIONS AND SETTINGS

- Home network connection functions
- Pairing functions of the remote control.
- Network connection support
- Access to advanced settings (pellet set, languages, date and time)
- System and status information
- Alarm history
- Gemeinsame Nutzung der Verbindung mit dem Händler
- Connection to the remote control sensor

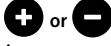





PRESENTATION OF THE INTEGRATED SIMPLIFIED CONTROL DISPLAY (SCD)







Summary of the device status display on the SCD

Main state	Secondary state	Display / Looped display if more than one display
Off	OFF	OFF
	ECO-stop	ECO
	No pellet	No.P
Ignition	loading	■■■ ■■■ ■■■
	Ignition	0■■ ■■■ ■■■ ■■■
On	Thermostatic ex: ambient T° = 21.5°C T° setpoint = 23°C	21.5 22.3
	Power P.XX = Power level 01 to 20	P.20
	Low pellet level	Lo.P
Extinction	Extinction	OFF ■■■ ■■■ ■■■
	Cooling	E00 001
	Cleaning	EPA
Alarms	A.XX Alarm code 60 to 87.	A.60

Summary of the display of user functions on the SCD

Changing the setpoint	Power setpoint P.XX = power setpoints from 01 to 20		 or  (one or more short presses)
	Temperature setpoint t.XX = T° setpoint		
Changing the mode	To thermostatic mode		 (short press)
	To power mode		

Summary of the SCD display in configuration mode

Activation of the configuration mode		 (flashing)	 (long press)
Active configuration mode	Remote control pairing		(see installation manual)
	Network configuration		(see installation manual)

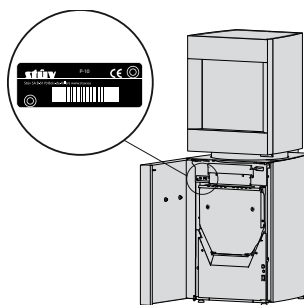
CONTROLLING THE P10.3 WITH A SMARTPHONE

The Stûv P10.3 can be controlled via a smartphone using the "Stûv Pellets" application.

> Download the application for free by searching for "Stûv" in the Playstore or the Appstore.



> Open the application once it has been downloaded. You will be prompted to connect your device. Press it to proceed to the next step [Figure 1].



> Scan the barcode on the device identification plate [Figure 2].

Note: it is necessary to allow access to the camera.

> In the "Registration" window, please enter your e-mail address as well as the PIN code and the name of the device of your choice [figure 3].

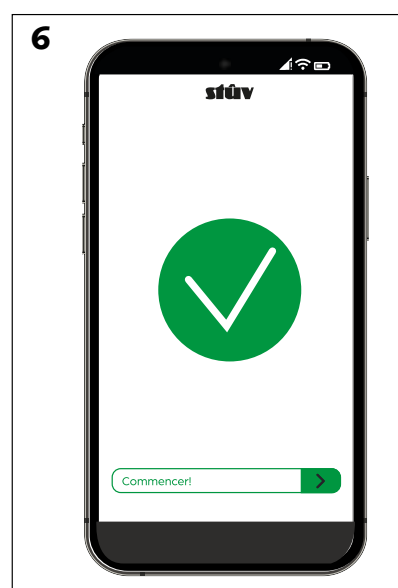
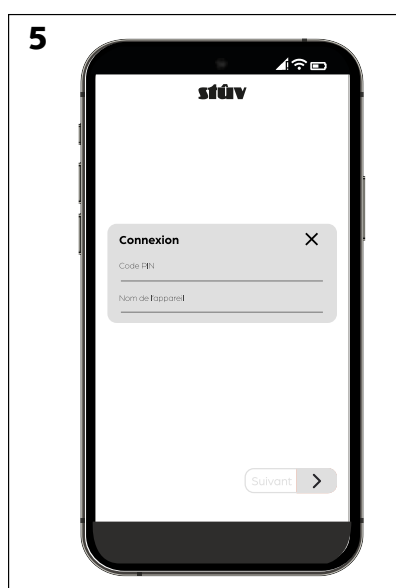
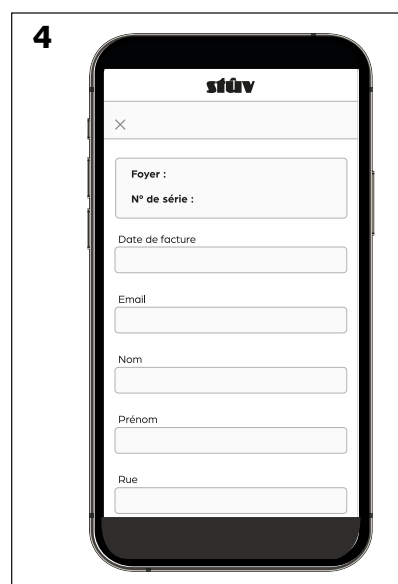
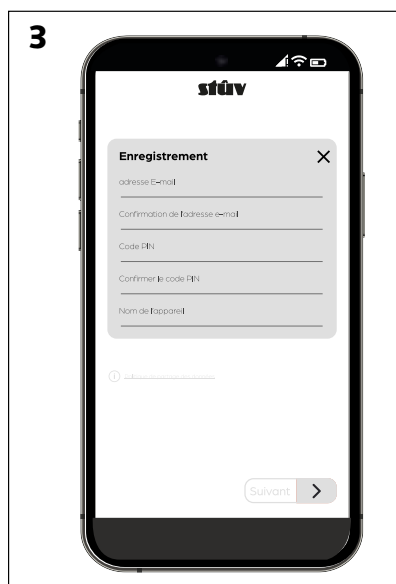
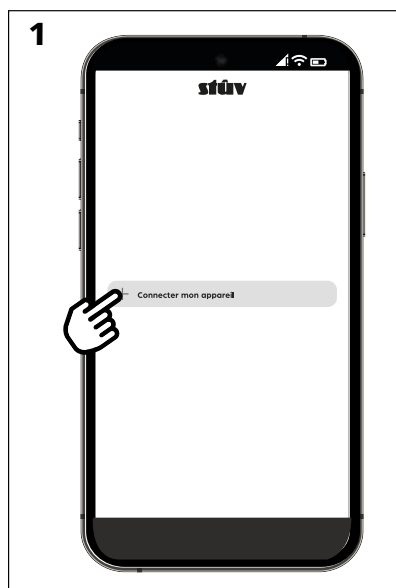
> Then fill in the warranty form for your appliance [figure 4].

> The application is ready for use once your PIN code and device name have been entered [Figure 5 & 6].

⚠ NOTE:

If the procedure for connecting your smartphone to the device fails, please check that:

- your smartphone is well connected to the internet
- you have authorised access to the "Stûv Pellets" application

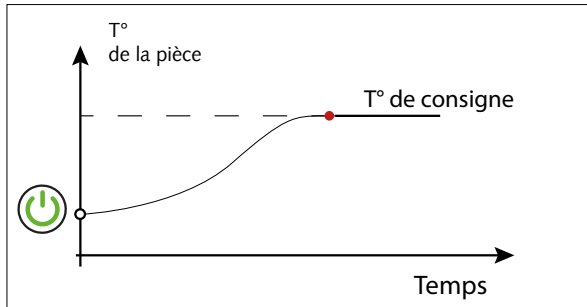


How the Stûv P10.3 works

In order to fully enjoy your device, you will find below a description of the functions of your Stûv P10.3.

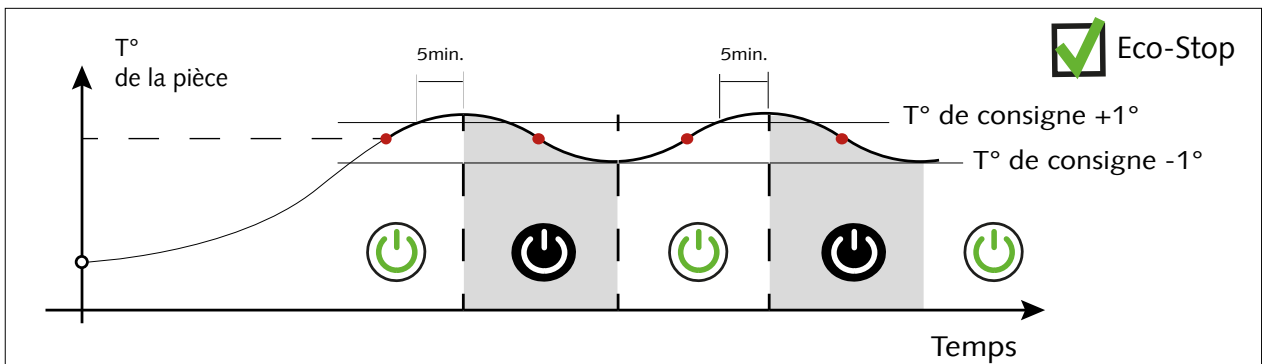
MODES

THERMOSTATIC MODE C° AUTOMATED TEMPERATURE CONTROL



When you activate the thermostatic control mode, the appliance regulates its output to reach the set temperature (see next page).

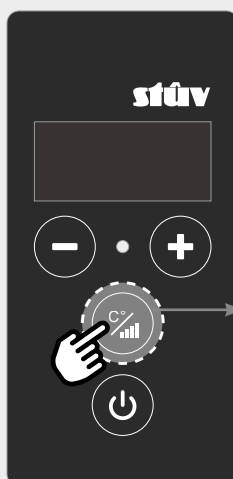
Activation of the Eco-stop (only available in thermostatic mode)



Activating the Eco-stop switches the appliance off once the set temperature is reached. When the eco-stop is active, the appliance switches off automatically when the room temperature remains above the + 1°C setpoint for more than 5 minutes. If the room temperature drops below the - 1°C setpoint, the unit will automatically switch on again. ⚠ **Stûv recommends the Eco-stop only in a well insulated building!**

Access through the SCD

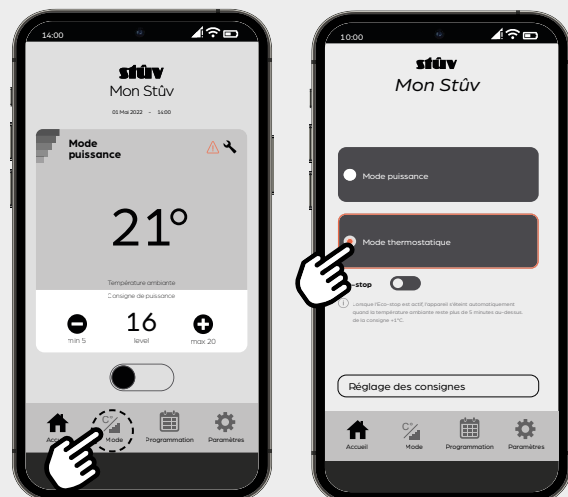
Shortly press the mode button to switch from power mode to thermostatic mode.



Activation/deactivation of thermostatic mode (short press)

Access through the application

Shortly press the mode button to access the menu for selecting between thermostatic and power mode.

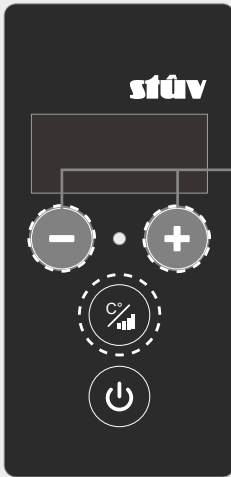


THERMOSTATIC MODE (continued)

Definition of the setpoint temperature

Access through the SCD

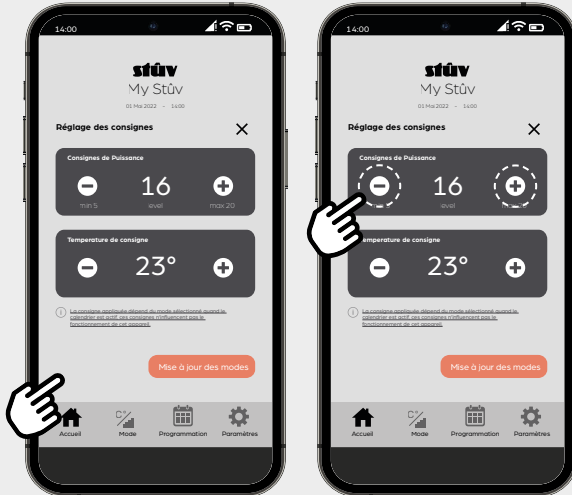
Pressing the + or - button briefly one or more times changes the setpoint temperature to the desired temperature



Definition of the setpoint temperature

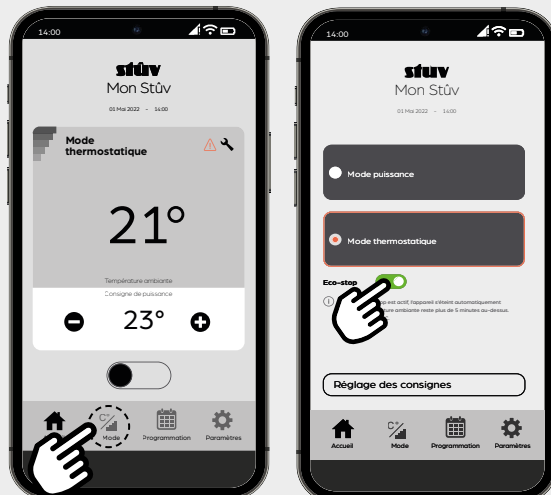
Access through the application

The "Setpoint adjustment" button and the home shortcut allow you to change the setpoint temperature to the desired temperature.

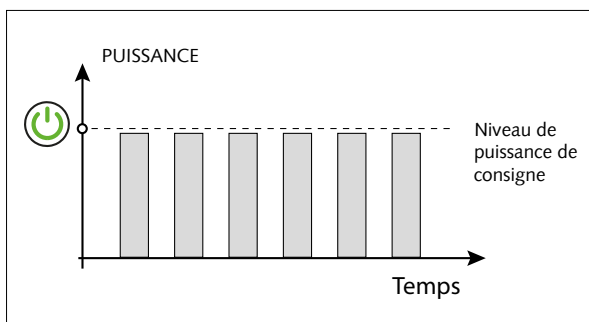


Home shortcut (only available in thermostatic mode)

Activation/deactivation of the Eco-stop (only available in thermostatic mode via application)



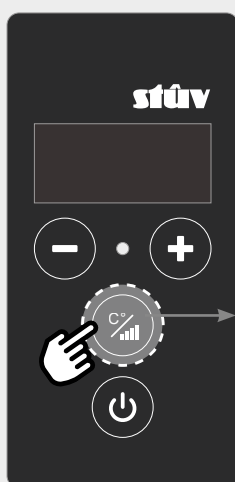
POWER MODE  *Manual mode*



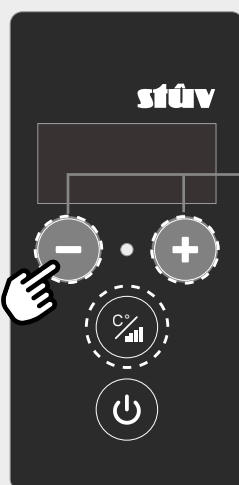
When you activate the power mode, the appliance runs permanently at the selected power level. The range of available power levels goes from level 1 (+/- 3,7 Kw) to level 20 (+/- 8Kw).

Access through the SCD

Shortly press the mode button to switch from thermostatic to power mode.



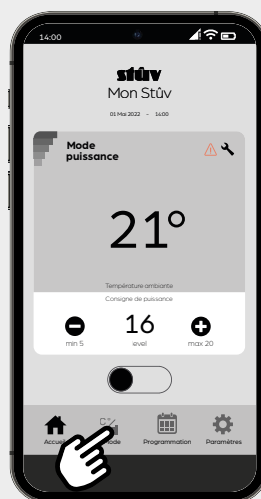
Activation/deactivation of power mode (short presses)



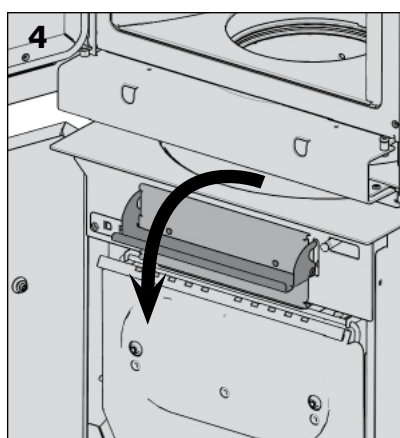
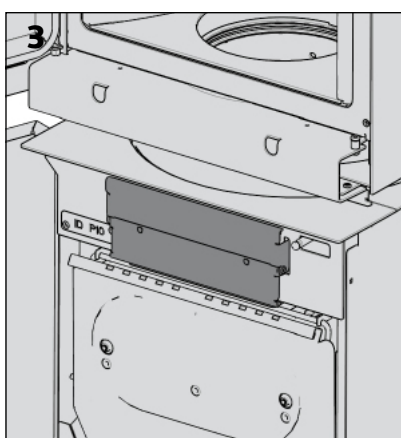
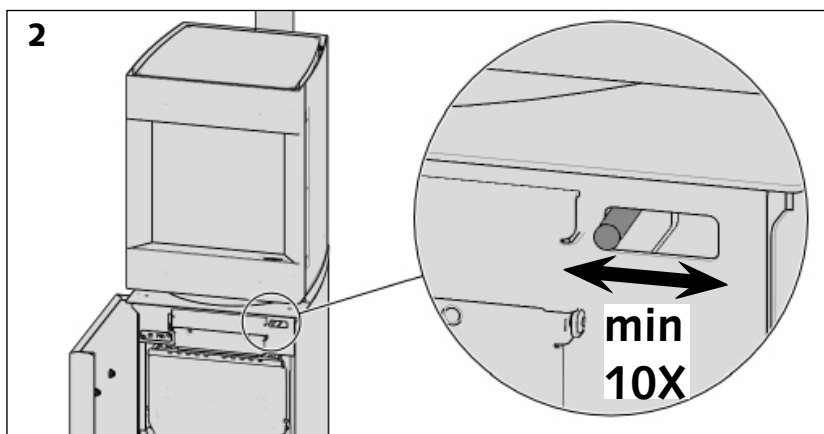
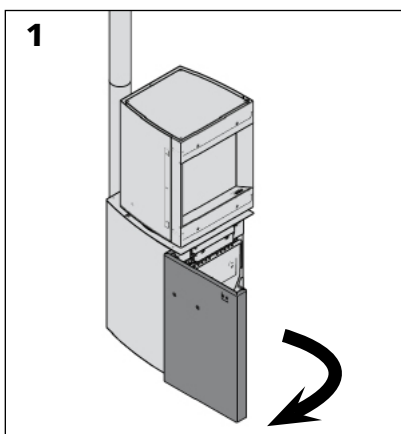
Definition of the power setpoint

Access through the application

Shortly press the mode button to access the menu for selecting between thermostatic and power mode.



PRECAUTION BEFORE EACH START



> Before each start, actuate the ash removal control (make ten movements).

> Check that after the operation, the control returns to its original position (rod to the right).

Note:

To check that the grille is turning correctly and goes back to its original position and to check that the ash has been removed and that the grille is clean, you can open the door, remove the vermiculite ring and the flame modeller in order to find the ash disposal grille.

To find out the procedure to follow, see section "Weekly Maintenance", "cleaning the ash removal grille" paragraph

Caution!

Only remove the ash when the appliance is extinguished.

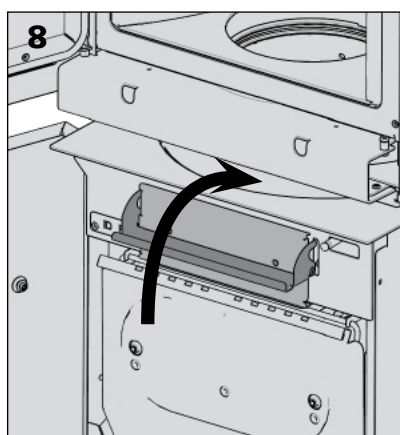
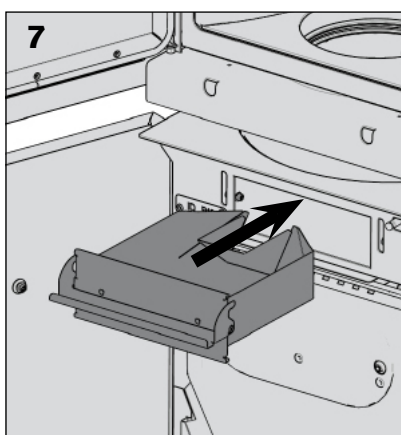
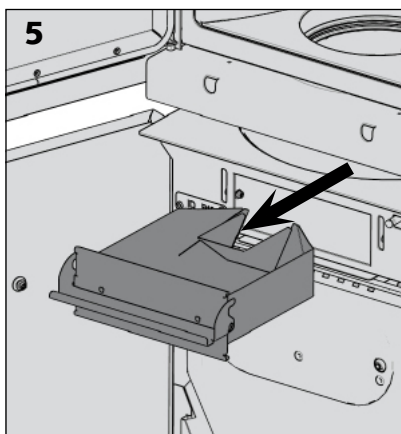
> Empty the ashpan for every 150 Kg of pellets burned.

Caution!

Only remove the ashpan when the stove is off.

Never touch the ashpan when the appliance is operating (risk of burns).

Check carefully that there are no unburned pellets in the ashpan before the appliance is lit.



SWITCHING ON THE DEVICE

The ignition cycle of your appliance takes about 20 minutes and consists of the following 3 phases:

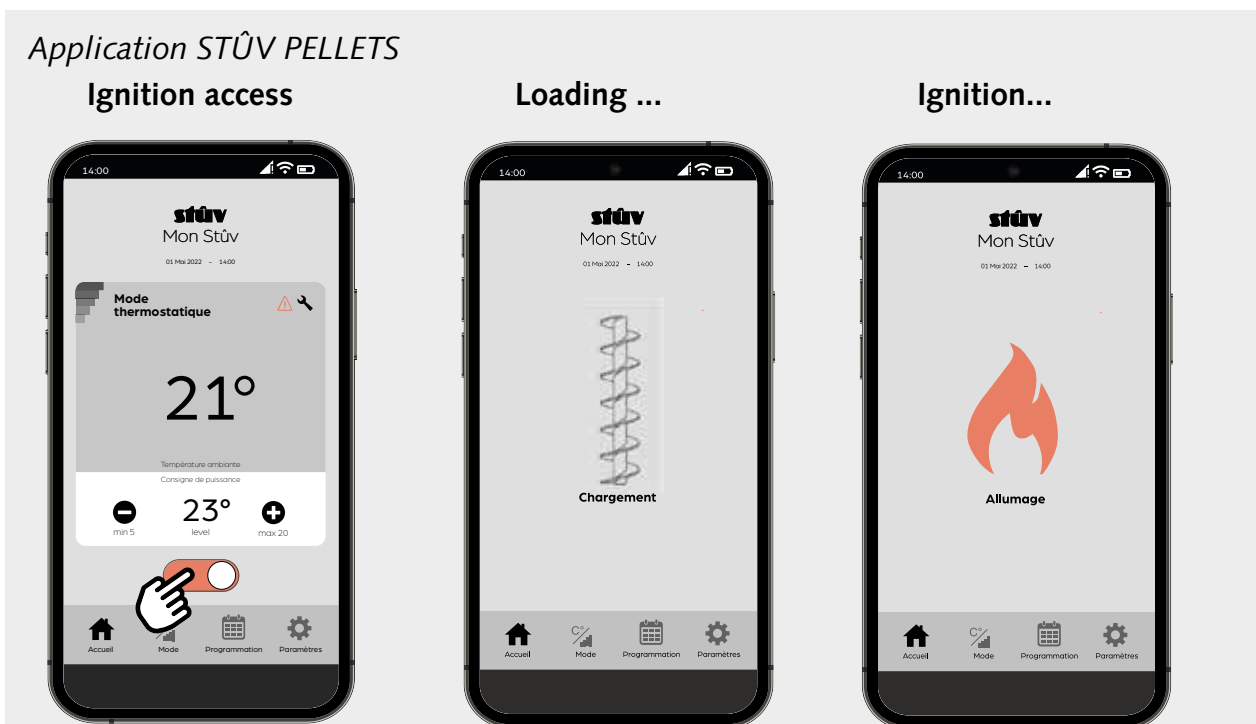
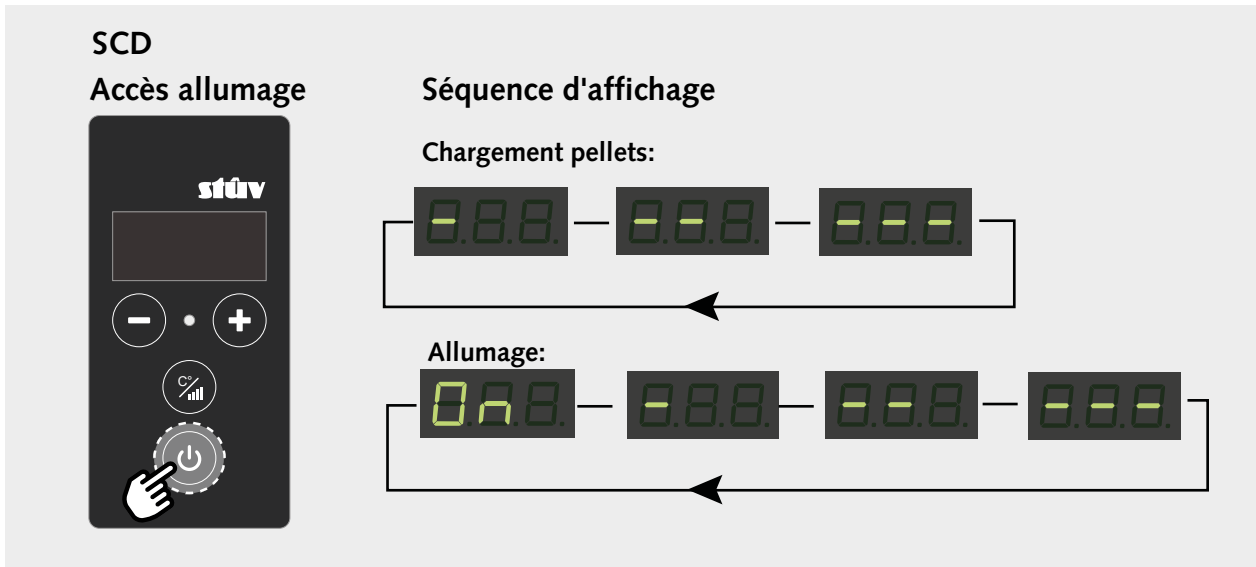
- reviewing the various sensors
- loading screws activation
- ignition of the spark plug (once the quantity of pellets fed to the burner).

These steps follow each other automatically. At the end of this cycle, the power level or temperature set point is displayed on the screen and allows navigation.

NOTE: During the lighting process, the combustion chamber may fill with smoke. This is not abnormal (e.g.

slightly damp pellets, ...) and the smoke will disappear when the flame appears.

⚠ Never unplug the appliance during the ignition phase! (even if an alarm is triggered)(unless there is a chimney fire) ⚠ Never remove ash from the device during the ignition phase!!




PROGRAMMING THE CALENDAR

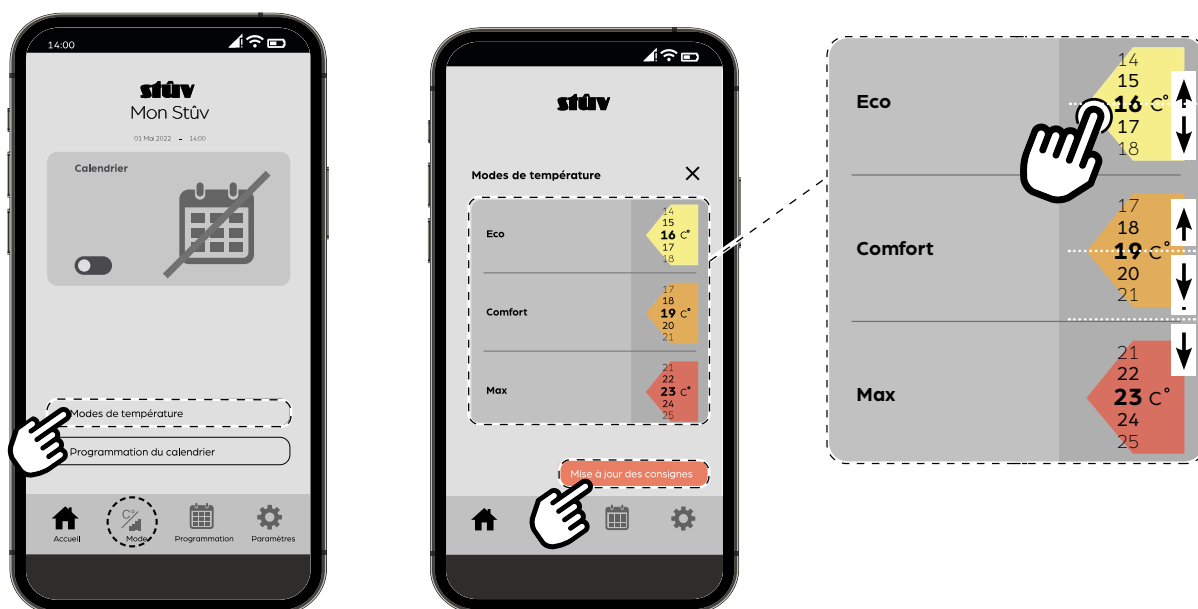
Available only from the application and the remote control (see p.33 for the remote control), the calendar function allows you to plan the automatic start and stop of the fireplace and to define the set temperatures to be reached.

1. Setting the temperature setpoints

In calendar mode, the appliance varies between a switched-off state and the activation of one of the following 3 temperature modes: a lower level **-Eco-**, an intermediate level **-Comfort-** and a higher level **-Max-**. The first step in calendar programming is to set these 3 values.

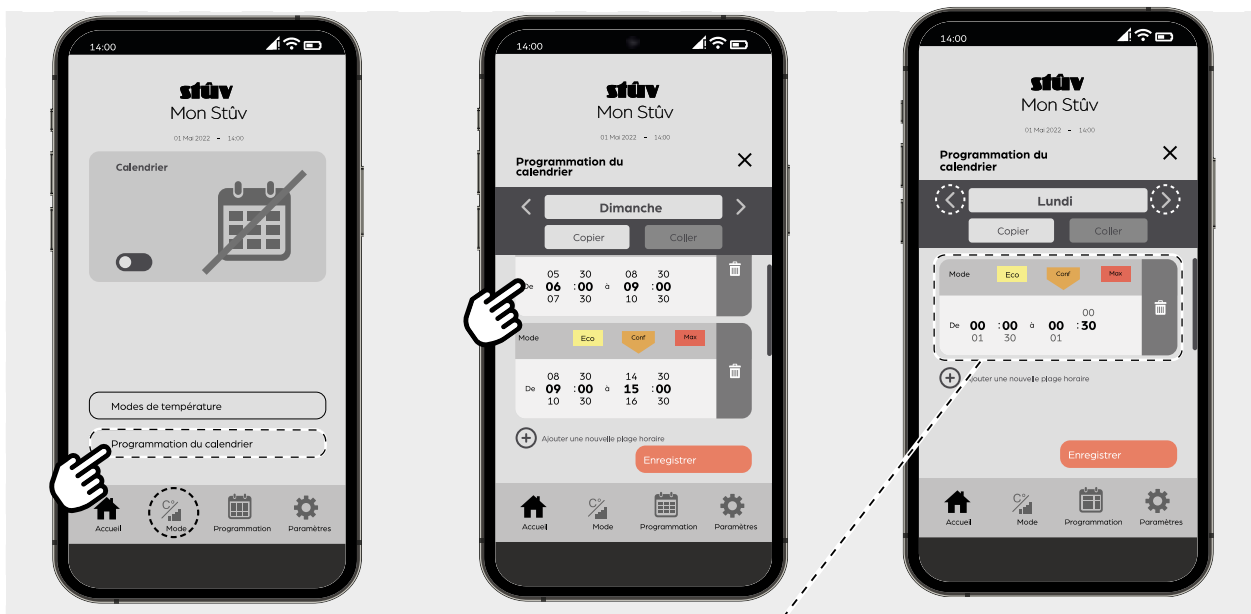
To do this, press the button  and then the "Temperature Mode" tab.

Drag your finger up or down to set the temperature for each of the 3 modes. Note: It is best to choose increasing temperatures (e.g. yellow: 16°, orange: 19°, red: 23°). Then press "Update setpoints" to validate and go to the next step.



2. Calendar scheduling

The «**Calendar programming**» allows you to add time slots under each day of the week and assign them one of the 3 temperature modes defined in the previous point. Please follow the steps below:



1. Définition d'une plage horaire

Mode Eco Conf Max

De 00 :00 à 00 :30

2. Assignment d'une des 3 températures de consigne éditées précédemment

Mode Eco Conf Max

De 08 30 à 14 30

De 09 :00 à 15 :00

10 30 16 30

3. Ajout d'une nouvelle plage horaire

Mode Eco Conf Max

De 08 30 à 14 30

De 09 :00 à 15 :00

10 30 16 30

Ajouter une nouvelle plage horaire

Stûv P10.3 - directions for use [en] - 09/23

The definition of a time slot is done by increments of half an hour ⚠️ **Keep in mind that any time interval between two successive time slots means that the device is switched off.**


The assignment of one of the 3 temperature modes for the currently edited time slot is done by a simple press.

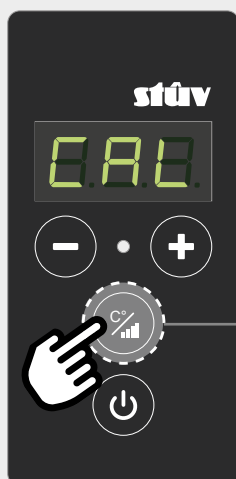


Use the arrows to navigate through the different days of the week and edit them. The "Copy" and "Paste" buttons allow you to apply your presets from one day to another.

3. Activating/deactivating the calendar mode

Deactivation by the SCD

⚠ Although the activation and programming of the calendar requires the use of the application or the remote control, the SCD allows you to switch directly to manual mode at any time. To do so, simply press the .



Deactivation of the calendar mode (short presses)



⚠ **NOTE :**
MANUAL switching off/on of a fireplace programmed in calendar mode means deactivating the calendar!

Activation/deactivation by the application

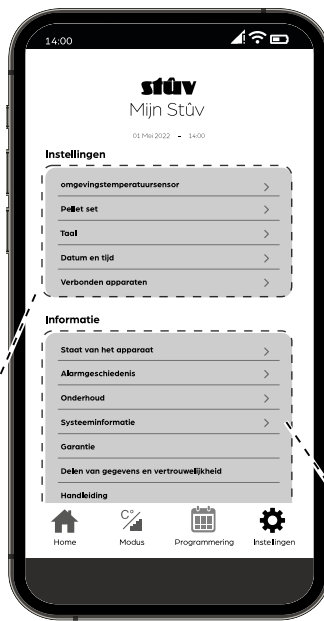
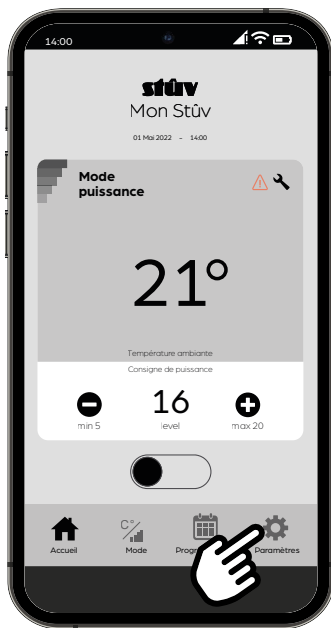
(NOTE: For the remote control, refer to the instructions on p.38).




Displaying the SCD in active calendar mode

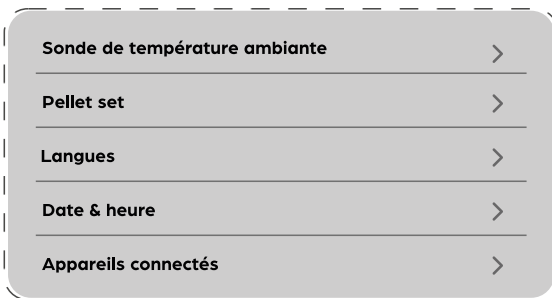
Status of P10.3	Status of the calendar	Looped display
ON	ON (ex: ambient T° of 23°C)	
OFF	ON	

SETTING THE PARAMETERS

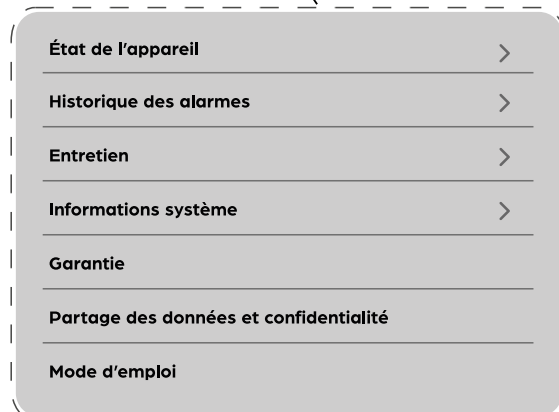


The button  allows you to access the settings of the device and to view information related to its operation.

Settings



Information




Temperature sensor



The "Room temperature probe" selection allows you to select the origin of the temperature measurement: either the sensor integrated in the remote control or the one integrated in the fireplace.

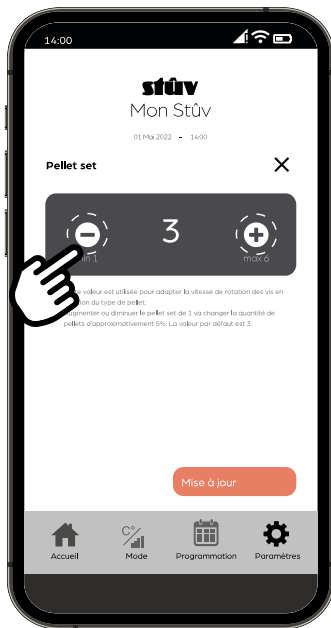
When the remote control temperature sensor is activated, the appliance regulates its temperature according to the data sent by the remote control. Otherwise, the temperature sensor is located in the appliance.

If you choose to regulate via the remote control sensor, place it in a suitable location: not too exposed to the sun, not too close to the stove's lantern, do not leave it in a room other than the one where the Stûv P10.3 is installed, etc.

 **Caution:** If the remote control is switched off (e.g. because the battery is completely discharged), the heater sensor automatically takes over.

Note: It is normal to notice a slight difference between the temperatures measured by the remote control sensor and the fireplace sensor.

Pellet Set



PELLET SET: The flow of pellets in the feed system depends on the characteristics of the pellets (length, density, etc.). It may therefore differ from one brand to another. For example, short pellets have a tendency to rise more rapidly in the Archimedes screws, even if they turn at a constant speed.

To compensate for this difference in flow, it is possible to correct the speed of the Archimedes screws from -15% to +15% compared to the reference value (the speed of the smoke extractor, however, is not changed, the aim being to get a correct air/fuel ratio). This is possible using the SET GRANULES menu.

Once it is operating normally (after around 1hr) at power level Pniveau20, the following points may indicate a low pellet flow, in which case you will need to increase the SET GRANULES level:

- Low, bright flame
- White layer on the glass

the following points may indicate a high pellet flow, in which case you will need to decrease the SET GRANULES level:

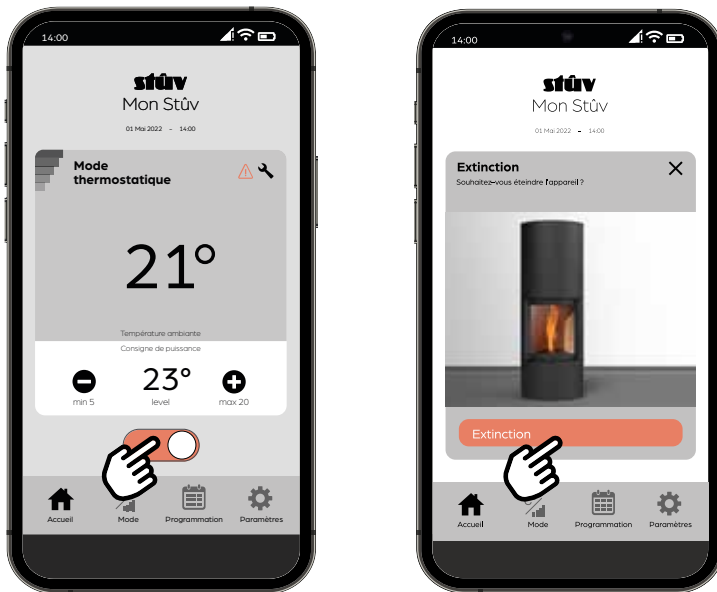
- Very tall, colourful flame (touching the top of the combustion chamber)
- Blackened glass

When the SET GRANULES level is increased above level 3 (increase of the speed of the Archimedes screws), the power level is deliberately restricted: it is therefore normal to no longer be able to reach Plevel20.

> Maximum output as a function of the pellet setting:

Pellet Set	Max. Output
0	20
1	20
2	20
3	20
4	19
5	18
6	17


EXTINCTION



is le cycle d'extinction initié, l'apport en granulés du réservoir est interrompu et la seconde vis de chargement se vide complètement. Le Stûv P10.3 continue donc à fonctionner pendant environ 15 minutes à une puissance équivalente à P10.

⚠ Ne jamais débrancher l'appareil pour l'éteindre! (même en cas d'alarme) (sauf en cas de feu de cheminée)

⚠ Ne jamais descendre pendant la phase d'extinction!

⚠ Once the shutdown cycle has been started, you must wait until the appliance has stopped completely (**30 to 90 minutes**) before you can restart it. **During this time, the appliance will remain warm and continue to radiate heat! Caution! During the first minute of the extinguishing phase, it is possible to relight the appliance by pressing  again. HOWEVER, this is no longer possible thereafter, for safety reasons.**

WARNINGS

SCD



Mobile App STÛV PELLETS



Alarme "fin granule"

This warning indicates that the fireplace is shutting down or has shut down because the pellet tank is empty.

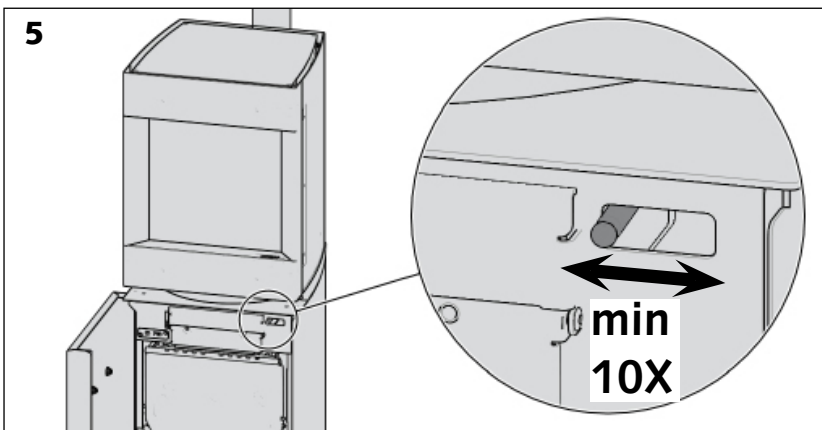
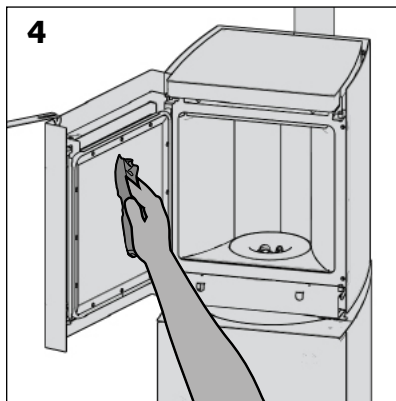
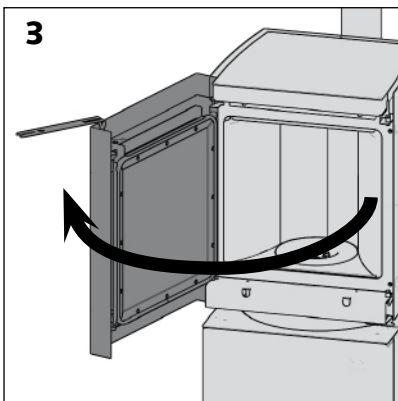
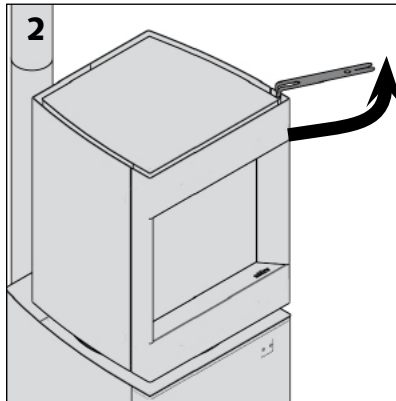
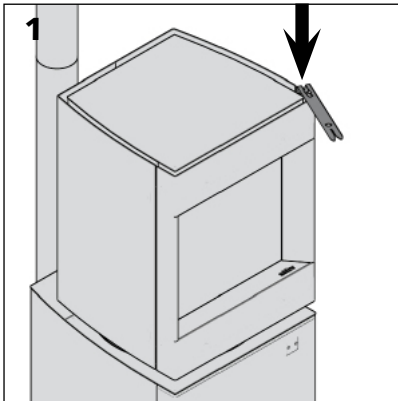
- > Let the device switch off
- > Once the appliance has been switched off and cooled down, remove the ash.
- > Fill the pellet tank with pellets before restarting the appliance.

Pre-alarme "bas granule"

This warning indicates that the pellet level in the tank is low.

- > If the tank is not refilled within the time indicated on the remote control, the fireplace will switch off and indicate "low".

Daily maintenance



Be careful!

Wait until the stove has cooled down completely before carrying out maintenance.

Maintenance of the metal components

Use a dry cloth for cleaning.

Cleaning the glass

> Open the combustion chamber door using the control key [diagrams 1, 2 and 3].

> Clean the glass using a cleaning product specified for use on ordinary glass [diagram 4].

Caution!

The use of abrasive oven-cleaning products causes rapid destruction of the seals and damages the paintwork.

> Make sure the glass is properly dry because oily residues will set the smoke.

Ash Removal

Before lighting the appliance:

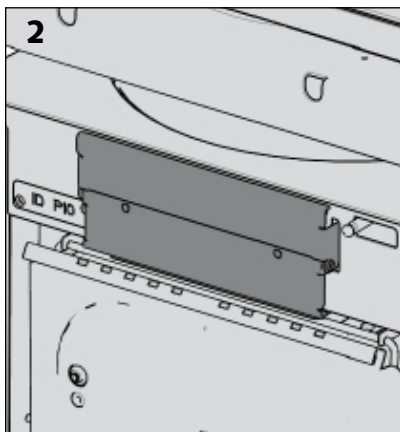
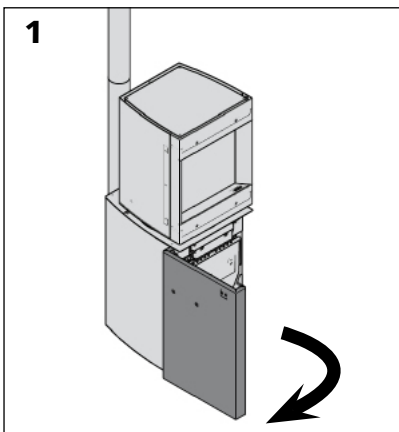
> Open the bottom door.

> Use the ash removal control, make ten movements from right to left [diagram 5].

> Check that in the end, the control returns to its original position (rod to the right).

NB!

Only remove the ash when the appliance is extinguished!



Warning!

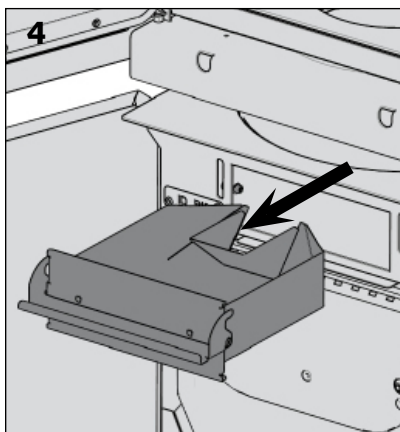
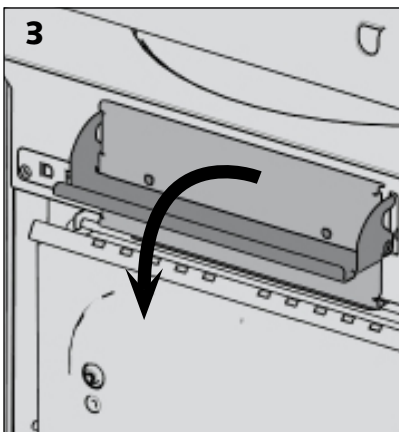
Wait until the stove has cooled down completely before carrying out maintenance.

Emptying the ashpan and cleaning its housing

> Empty the ashpan for every 150 Kg of pellets burned.

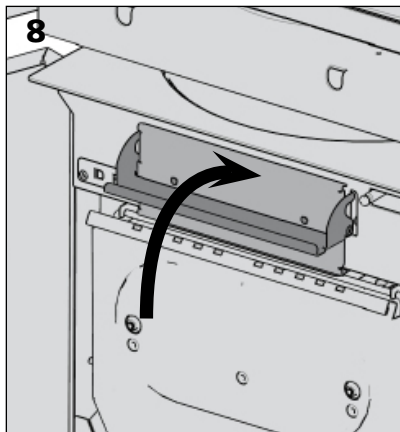
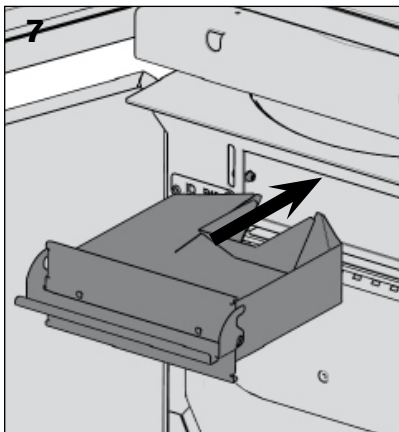
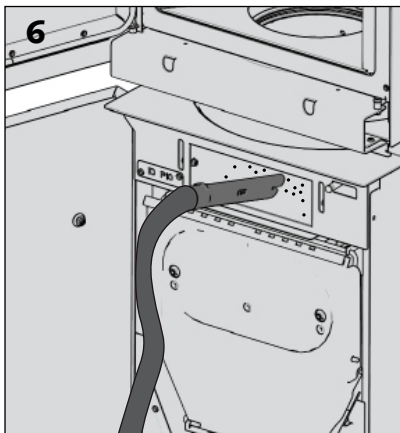
Caution!

Only remove the ashpan when the stove is off. Never touch the ashpan when the appliance is operating (risk of burns).

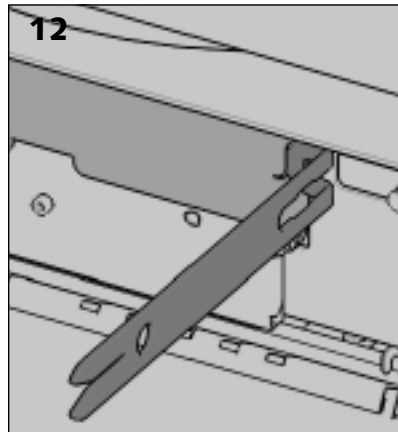
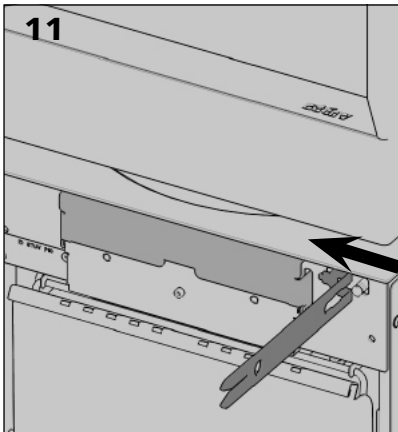
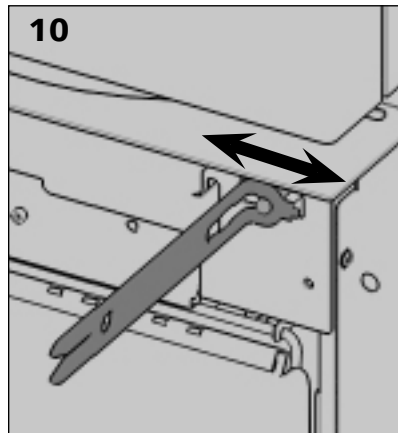
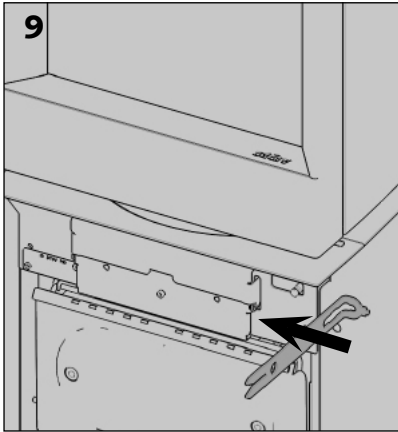


Ensure that the embers and ashes are cold before disposing of them in a container that can be burned or melted.

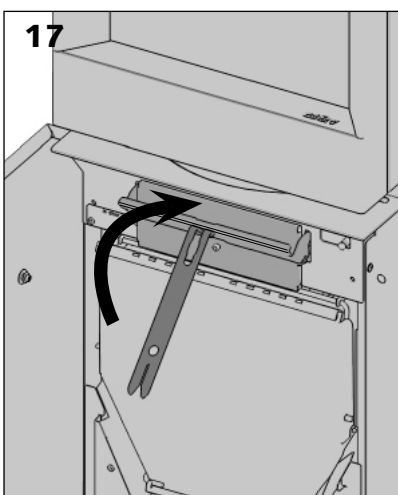
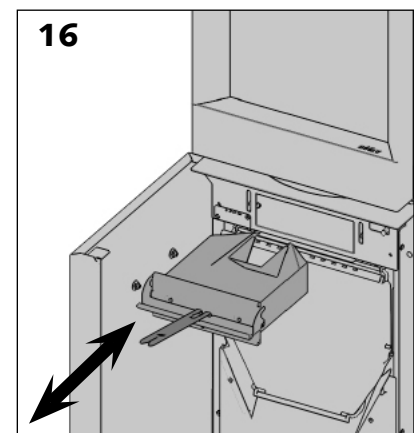
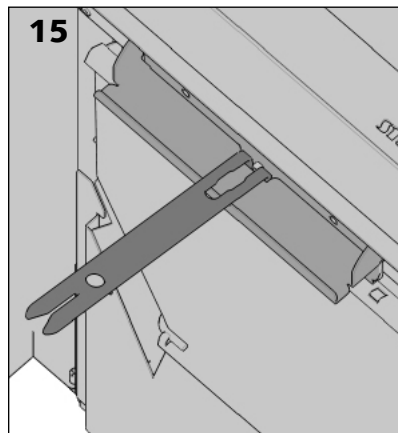
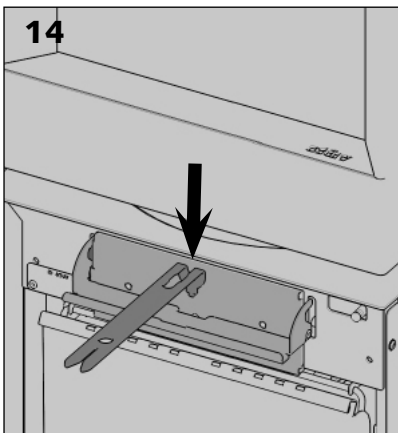
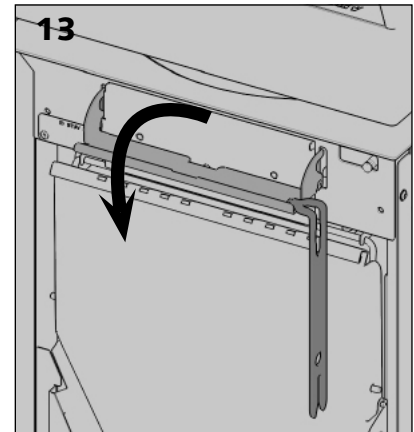
Once empty, put the ashpan back firmly into position, and make sure it is fully closed. If it is not, the device will emit a LEAK alarm.

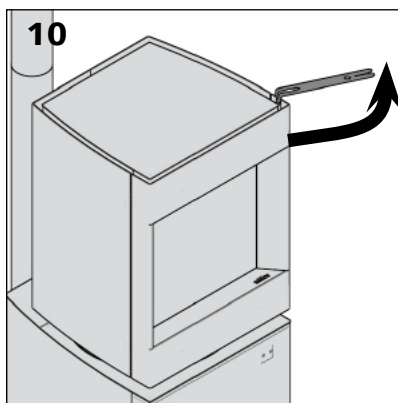
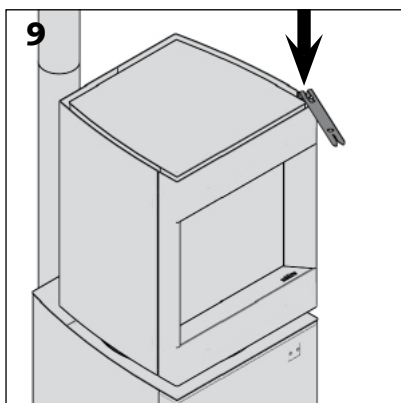


Weekly maintenance (continued)



If you need to operate the grille or remove the ashpan when the appliance is hot, do these various operations using the control key.



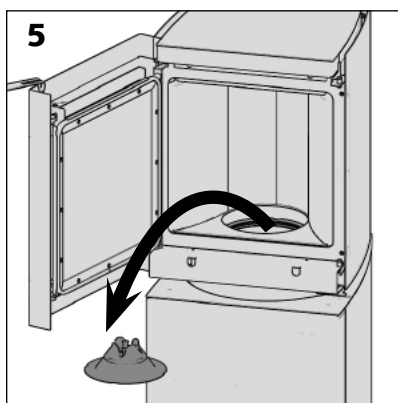
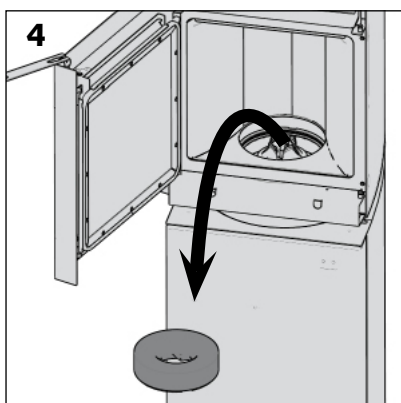
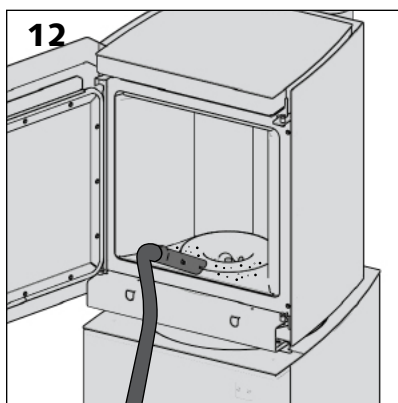
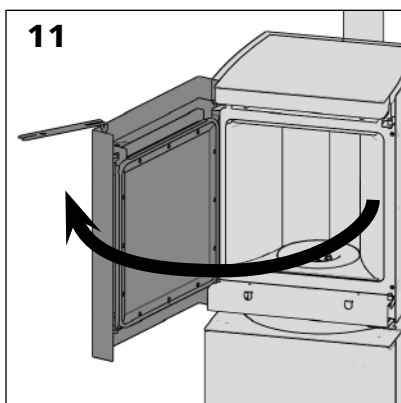


Cleaning the combustion chamber

- > Open the combustion chamber door using the control key [diagrams 9, 10 and 11].
- > Vacuum the inside of the combustion chamber [diagram 12].
- > Take care to close the door using the control key. Ensure that the door is securely locked.

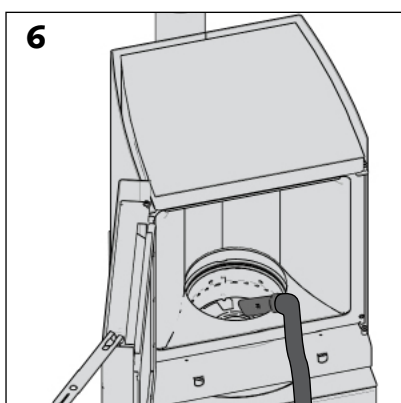
Caution!

Do not open the door of the lantern while the unit is hot.



Cleaning the ash removal grille

- > Remove the vermiculite ring.
- > Remove the flame modeller.
- > Vacuum the grilles.



Annual maintenance for your Stûv P-10 is essential to make sure it works properly, and must be carried out by a **professional approved by Stûv**.

Once a year or after running for a total of 1,500 hours (the remote control will display a message to warn you that it's time to get in touch with the professional responsible for servicing your device [figure 1]), you should:

- empty and clean the pellet hopper.

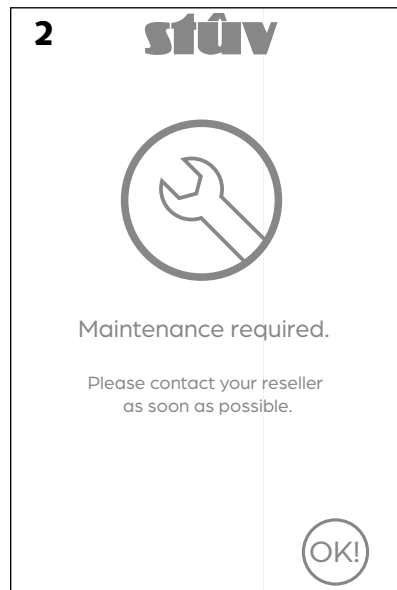
Warning!

Only fill the hopper when you next use the device (to avoid the pellets deteriorating).

- clean the extractor, its housing, the 2 smoke collectors and the pressure safety point
- clean the exchanger.
- clean the flue pipe to the chimney and sweep the chimney.
- check the door seal and replace if necessary.
- check the extractor seal and replace if necessary.
- check the burner supply elbow, replace it if necessary.
- check the pressure relief valve and replace if necessary.
- check the overheating indicator.
- check and clean the different parts of the burner.
- Re-start the counter calculating the number of hours the device is in operation before the next maintenance work needs to be carried out (in the "installer" menu on the remote control).

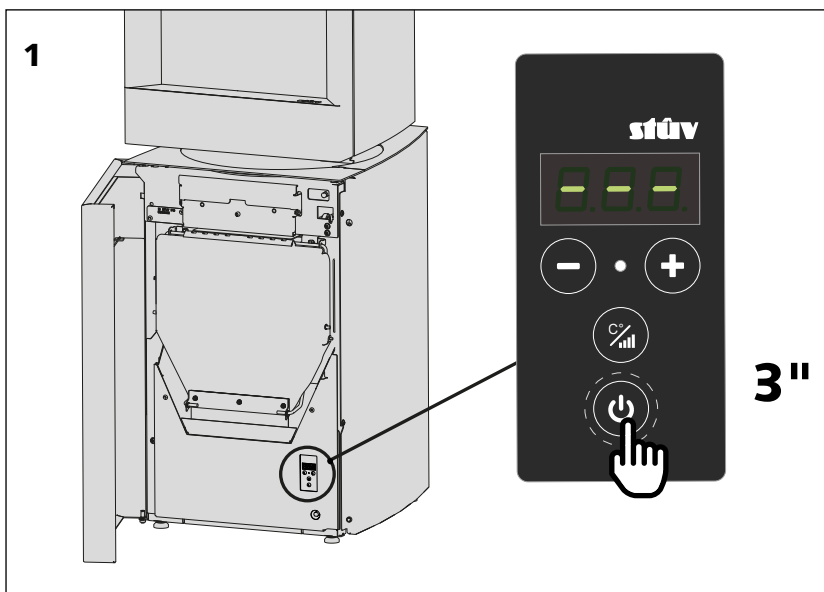
N.B.:


Stûv's statutory and extended guarantee are not valid for devices that have not been maintained as described above.



IN CASE OF PROBLEMS...

Emergency switch




In case of a malfunction or inability to reach the application or the remote control, pressing the button  for 3 seconds will cause the appliance to switch off.


This switch can also be used in the same way to switch the fireplace on if necessary. The appliance will then start in the last used mode (calendar excluded).

However, we recommend using the app or the remote control.

WHAT TO DO IN CASE OF AN ALARM?



When an alarm occurs, the P10.3 beeps and displays a warning message on all 3 interfaces. The procedure to follow is as follows:

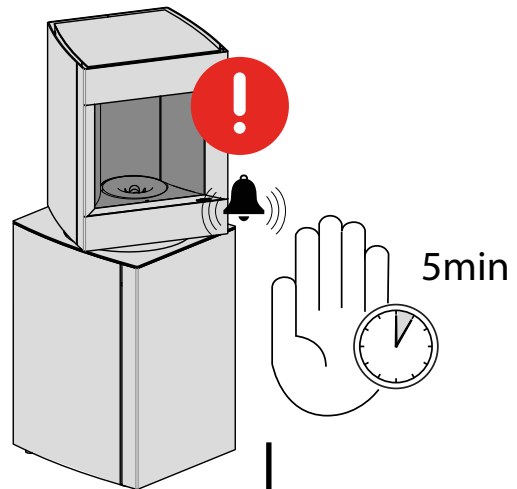
1. Identify the type of alarm displayed on the interface.
Refer to the corresponding alarm description [see alarm signal listing below*].
2. Command the device to switch off (command only operational 5 minutes after the alarm message appears).
To do this, press the SCD button  for a long time (more than 3 sec.).

 **WAIT FOR THE COMPLETE COOLING OF THE DEVICE before any intervention !!!**

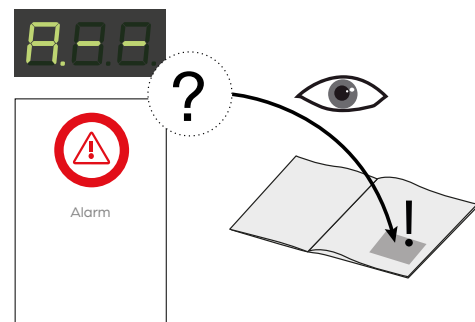
3. Carry out the recommendations for use described under the corresponding alarm [see next page].

* Alarm signal listing

SCD display	App./ Remote control display
	
A.60	Maximum temperature
A.61	Negative pressure alarm
A.62	Room sensor
A.63	Smoke sensor
A.64	Extractor
A.65	Screw 1
A.66	Flow
A.67	No lit
A.68	No flame
A.69	Screw 2
A.70	Smoke temperature
A.71	Circuit board temperature
A.72	Leak
A.73	Deashing
A.74	Screw speed ratio
A.77	Loading hatch open
A.87	Blackout




1. Identify the type of alarm




2. Command the device to turn off.




3. Apply the recommendations for use [see next page].

 **WAIT FOR THE COMPLETE COOLING OF THE DEVICE before any intervention !!!**




Max. temperature alarm

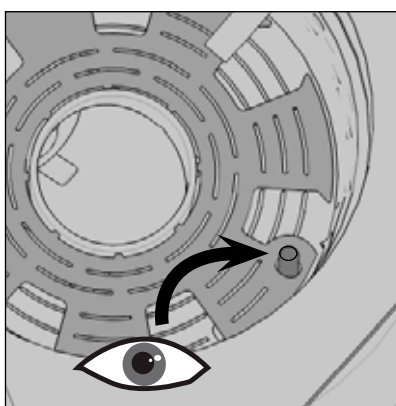


“Max. temperature” alarm

This alarm indicates that the appliance is overheating.

If this alarm is displayed:

- > Wait for 5 minutes then make a note of the alarm and clear it by pressing and holding 
- > Let the device go out
- > Once the device has gone out and cooled down, **remove the ash and thoroughly clean the burner grille (see chapter entitled “weekly maintenance”).**
- > Make sure that the grille is in the correct position [diagram 1].
- > Rearm the safety switch. The red button on the switch will only rearm if the device is cool [diagram 2].
- > Restart the device. If the alarm starts again, contact the installer.





Negative pressure alarm




Negative pressure alarm


This alarm indicates a pressure switch malfunction or a lack of negative pressure.

If this alarm is displayed:

- > Wait for 5 minutes then make a note of the alarm and clear it by pressing and holding 
- > Let the device go out
- > **Once the device has gone out and cooled down, remove the ash and empty the ash pan.**
- > Restart the device. If the alarm starts again, contact the installer.




Room sensor alarm




“Room sensor” alarm


This alarm indicates a malfunction of the ambient temperature sensor on the appliance.

If this alarm is displayed:

- > Wait for 5 minutes then make a note of the alarm and clear it by pressing and holding 
- > Let the device go out
- > Contact the installer.




Smoke sensor alarm



“Smoke sensor” alarm

This alarm indicates a malfunction of the smoke temperature sensor on the appliance.

If this alarm is displayed:

- > Wait for 5 minutes then make a note of the alarm and clear it by pressing and holding 
- > Let the device go out
- > Contact the installer.




Extractor alarm



“Extractor” alarm

This alarm indicates a malfunction of the smoke extractor or its speed sensor.

If this alarm is displayed:


- > Wait for 5 minutes then make a note of the alarm and clear it by pressing and holding 
- > Let the device go out
- > Contact the installer.

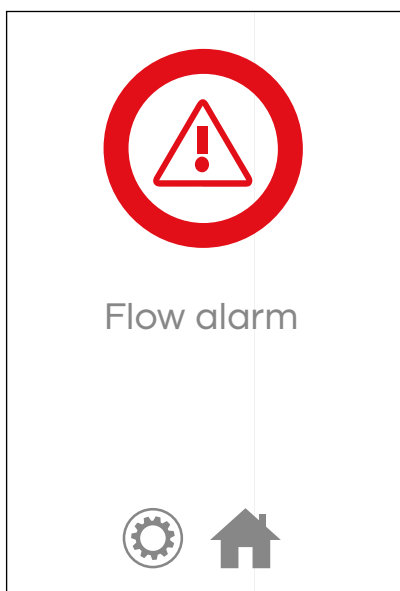


"screw 1" alarm

This alarm indicates a malfunction of the primary screw or its speed sensor.

If this alarm is displayed:


- > Wait for 5 minutes then make a note of the alarm and clear it by pressing and holding 
- > Let the device go out
- > Contact the installer.

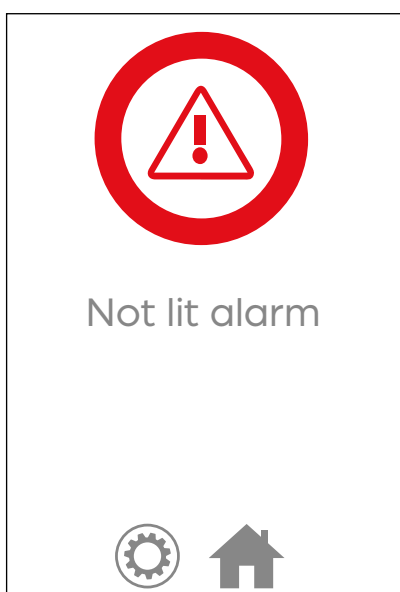


"Flow" alarm

This alarm indicates a flow sensor malfunction.

If this alarm is displayed:


- > Wait for 5 minutes then make a note of the alarm and clear it by pressing and holding 
- > Let the device go out
- > Contact the installer.




"Not lit" alarm


This alarm indicates an ignition fault.

If this alarm is displayed:

- > Wait for 5 minutes then make a note of the alarm and clear it by pressing and holding 
- > Let the device go out
- > **Warning!**
Once the device has gone out and cooled down, **remove the ash and thoroughly clean the burner grille (see chapter entitled "weekly maintenance")**, making sure that no unburned pellets are left on the burner grill then empty the ashpan.
- > Make sure there are still enough pellets in the hopper.
If not, fill the hopper.
- > Restart the device. If the alarm starts again, contact the installer.




No flame alarm




“No flame” alarm


This alarm indicates an abnormally low smoke temperature signifying that the flame is probably out.

If this alarm is displayed:

- > Wait for 5 minutes then make a note of the alarm and clear it by pressing and holding 
- > Let the device go out
- > Once the device has gone out and cooled down, remove the ash, making sure that **no unburned pellets are left on the burner grille** and empty the ash pan.
- > Make sure there are still enough pellets in the hopper. If not, fill the hopper and try to light the device again. If the alarm starts again, contact the installer.
- > If the hopper is full or the alarm is displayed when there is a flame, contact the installer.




Screw 2 alarm



“screw 2” alarm

This alarm indicates a malfunction of the secondary screw or its speed sensor.

If this alarm is displayed:

- > Wait for 5 minutes then make a note of the alarm and clear it by pressing and holding 
- > Let the device go out
- > Once the device has gone out and cooled down, **remove the ash and thoroughly clean the burner grille (see chapter entitled “weekly maintenance”), making sure that the pellet feed tube is not blocked by a clump of ash or unburned pellets. If necessary, clean the end of the tube with a vacuum cleaner.**
- > Restart the device. If the alarm starts again, contact the installer.




Smoke temperature alarm

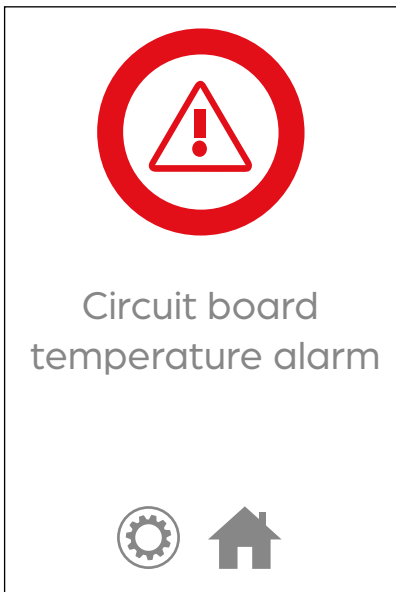


“Smoke temperature” alarm

This alarm indicates that a smoke temperature has been measured that is too high.

If this alarm is displayed:

- > Wait for 5 minutes then make a note of the alarm and clear it by pressing and holding 
- > Let the device go out
- > Once the device has gone out and cooled down, remove the ash and empty the ash pan.
- > Check the quality of the pellets being used. If the pellets are too short, the temperature of the smoke will be too high. If you aren't sure, change the pellets.
- > Restart the device. If the alarm starts again, contact the installer.

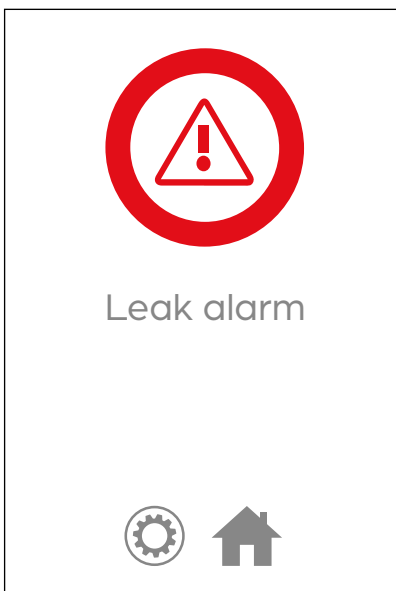


"circuit board temperature" alarm

This alarm appears when the electronic card exceeds 70°C.

If this alarm is displayed:

- > Wait for 5 minutes then make a note of the alarm and clear it by pressing and holding
- > Let the device go out
- > Contact the installer.

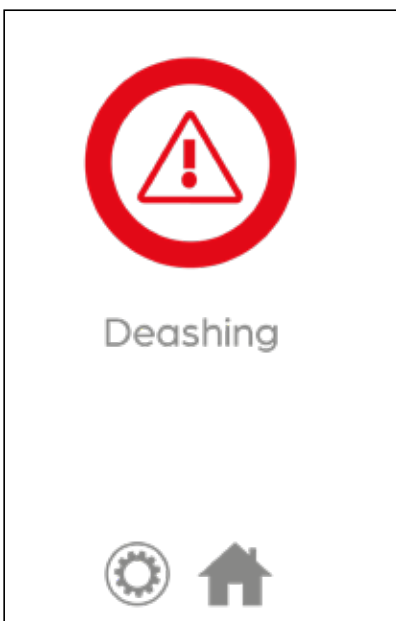


"Leak" alarm

This alarm appears when the flow sensor measures a flow rate that is too low.

If this alarm is displayed:

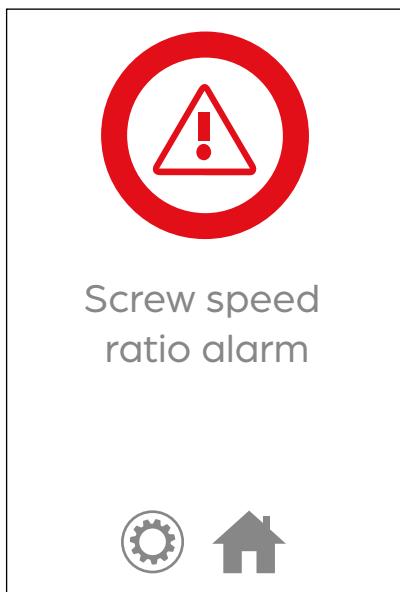
- > Wait for 5 minutes then make a note of the alarm and clear it by pressing and holding
- > Let the device go out
- > Once the device has gone out and cooled down, remove the ash and empty the ash pan.
- > Make sure the lantern door is closed properly and locked shut. Make sure that the pellet loading valve is closed and no pellets are stuck in its seal. Make sure that the ashpan is right at the back of its housing and properly closed and locked shut. Make sure that the chimney flue and/or the flue outlet are not blocked.
- > Restart the device. If the alarm starts again, contact the installer.



"Deashing" alarm

This alarm indicates that the position of the ash removal grate is not correct. **If this alarm is displayed :**


- > Wait 5 minutes, then note the alarm and acknowledge it by pressing and holding the SCD button .
- > Allow the appliance to switch off
- > Once the appliance has been switched off and cooled down, clean the burner grate, **making sure that no unburnt pellets are blocking the grate in the open position, and empty the ash drawer.**
- > Restart the appliance. If the alarm occurs again, contact the installer.

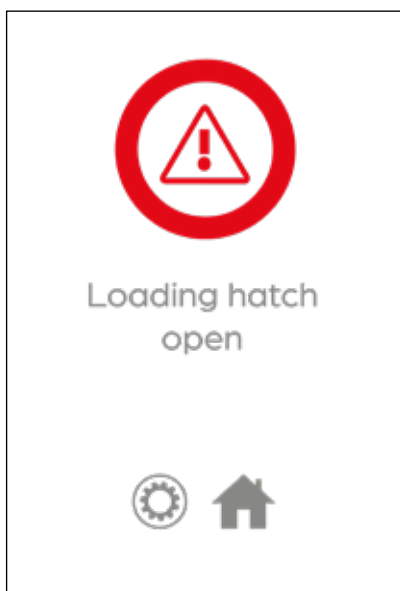


"Screw speed ratio" alarm

This alarm indicates a poor speed ratio between screws 1 & 2.

If this alarm is displayed:

- > Wait for 5 minutes then make a note of the alarm and clear it by pressing and holding 
- > Let the device go out
- > Contact the installer.

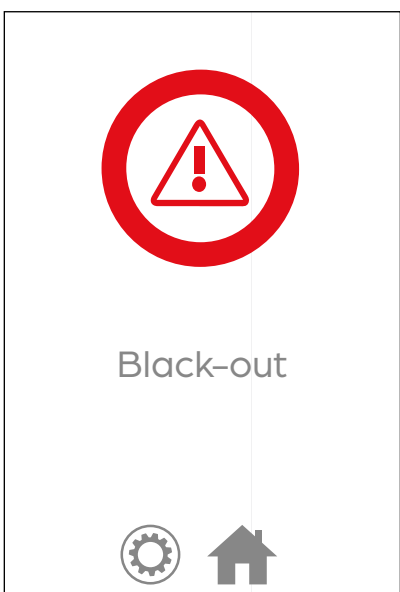


"Loading hatch open" alarm

This alarm indicates that **the loading hatch door has been left open** too long. Check that it is well closed, as well as the door, the bottom door and the ashpan of your appliance.

If this alarm is displayed:


- > Let the appliance switch off.
- > After the appliance has been switched off and cooled down, remove the ash.
- > Fill the pellet tank before restarting the appliance.
- > If the alarm persists, contact the installer.



"Blackout" alarm

This alarm occurs when the appliance is deprived of electricity for more than 10 minutes when the stove is operating.

Si cette alarme s'affiche :

- > Wait for 5 minutes then make a note of the alarm and clear it by pressing and holding 
- > Let the device go out
- > Once the device has gone out and cooled down, remove the ash, making sure that **no unburned pellets are left on the burner grille** and empty the ash pan.
- > Restart the device.



Remote control communication alarm



“Remote control communication” alarm

This alarm is triggered when the remote control can no longer communicate with the stove.

If this alarm is triggered:

- > Bring the remote control closer to the fireplace, it may be out of range.
- > If the device was working when the alarm was triggered, it will carry on functioning in the last known mode until the pellet hopper is empty or the emergency stop button is used.
- > If the device was off when the alarm went off, make sure it is plugged in and switched on.
- > If the device is switched on, complete the remote control pairing procedure described on page 14.
- > If the alarm continues, contact the installer.



ThingsPlay/Hottoh communication alarm



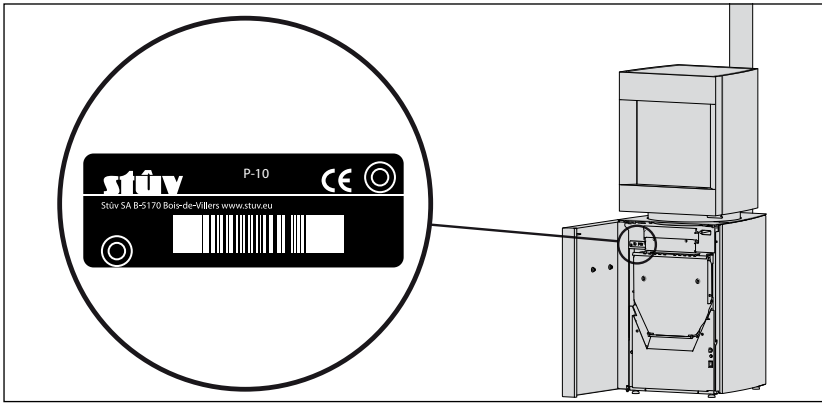
“Thingsplay/Hottoh communication” alarm

This alarm is triggered when the receiving antenna is no longer communicating with the stove's PCB.

If this alarm is triggered:

- > If the device was working when the alarm was triggered, it will carry on functioning in the last known mode until the pellet hopper is empty or the emergency stop button is used.
- > Once the device has gone out and cooled down, contact the installer.

Location of the serial number




If you encounter a problem or if you notice any deterioration, please contact your installer, telling them the serial number of your appliance.

Product datasheet
EU 2015/1186

stuv

Stûv s.a
Rue Jules Borbouse, 4
B-5170 Bois-de-Villers
info@stuv.com - www.stuv.com

Model reference:
Stûv P-10.3

Energy efficiency rating	 A++
Direct thermal power	8.1 kW
Indirect thermal power	-
Energy efficiency index	130
Output at rated thermal input	92,0 %
Output at minimum capacity	91,6 %
Special precautions that must be taken during assembly, installation or maintenance of the decentralised heating device:	
Consult the installation, usage and maintenance instructions	

DECLARATION OF PERFORMANCE (EU 305-2011)

Stûv P-10.3

Domestic wood pellet heating appliance
complying with the EN 14785 : 2006 standard
Recommended fuel: Wood pellets only

Manufactured by:

Stûv s.a

Rue Jules Borbouse, 4 B-5170 Bois-de-Villers
Tel.: +32(0)81.43.47.96 – Fax: +32(0)81.43.48.74
info@stuv.com www.stuv.com

Approved certifying body:

1880 – ACTECO

Via Amman, 41, 33084 Cordenons PN ITALY

System to assess and check the consistency of performance: 4

Test report number: 1880-CPR-012-22

Document number: 10 QA 101324006-EN

This device complies with CE regulations



European standards	EN 14785 : 2006
Main features	Performance
CO emissions	At rated power: 0,002 % At reduced power: 0,011 %
Smoke temperature at nominal power	153,8 °C
Heating power	Nominal: 8,1 kW Distributed in the room: 8,1 kW Distributed in water: – kW
Output	At rated power: 92,0 % At reduced power: 91,6 %
Maximum water pressure when operating	–
Surface temperature	Pass
Cleaning capacity	Pass
Electrical safety	Pass
Mechanical resistance (for the pipe to withstand)	NPD
Fire safety	
Reaction to fire	A1
Minimum distances in relation to combustible materials	Minimum distance to the rear 100 mm Minimum distance to the side 100 mm Minimum distance above 800 mm Minimum distance to the front 1000 mm Minimum distance in relation to the floor 0 mm
Fire risk after the fall of burning fuel	Pass

Bois-de-Villers, 2023

Gérard Pitance

Chief Executive and Founder

Jean-François Sidler

Managing Director and Chief Executive

THE EXTENSION OF THE STÛV GUARANTEE: A SIMPLE PROCEDURE FOR MORE PEACE OF MIND.

This fireplace has been designed to offer you maximum pleasure, comfort and safety. Manufactured with great care, from quality materials and components, it will give you satisfaction for many years.

If, despite our best efforts, a fault should occur, we undertake to resolve it.

If you complete the guarantee form within 30 days, Stûv will offer you an extension to the statutory warranty.

Stûv extended warranty

Stûv's extended warranty affects any user of a Stûv appliance (end purchaser). It takes effect on the date of the original sales invoice from the seller to the buyer for new stoves (which have not been subject to being exhibited or used). For second-hand stoves, it will run from the date of the original Stûv sales invoice to the seller.

Duration of the guarantee

The statutory warranty on the components covered is 2 years.

The extended warranty period is:

3 years on the body of the stove

2 years on the electrical and electronic components (fan, thermostat, switch, wiring, etc.)

3 years on other components (base grate, door mechanism, hinges, pulleys, runners, clasps,...)

The right to benefit from extension of the guarantee is subject to adherence to the applicable conditions and the accuracy of the information provided to Stûv.

Extended warranty application conditions



1. Have purchased the stove from one of our official resellers. A list of these is available on our website www.stuv.com



2. Complete the online form on <http://tech.stuv.com/en/pellets/warranty/guarantee-extension.html> within 30 days of the date of the invoice for the balance.



Only duly completed forms will be valid.



You will then receive your Stûv warranty certificate, by email, to the address indicated. Keep this document in a safe place. In the event of a problem with your stove, please contact your dealer. You should show them this certificate for the commercial warranty to be effective.



– faults that have occurred during, or that are the total or partial consequence of:

- > failure to comply with the installation, usage and maintenance advice and recommendations,
- > assembly/installation, modification or repair by a third party,
- > installation by an unapproved installer,
- > failure to follow the installation instructions,
- > modifications made by the installer,
- > a lack of maintenance,
- > an external cause such as flooding, lightning, fire etc.,
- > the use of an inappropriate fuel (only pellets that comply with the Enplus/DINplusA1 norm are appropriate). Please refer to the operating instructions.
- > an obstruction, even if only partial, of the air supply inlet or smoke outlet,
- > an inappropriate smoke duct for installation.

– heat cracks usually appearing in the surrounding walls,

The guarantee is restricted to the exchange of components recognized as defective excluding replacement, compensation and interest costs. The replacement components supplied under the guarantee are guaranteed for the remainder of the guarantee period.

Your responsibility

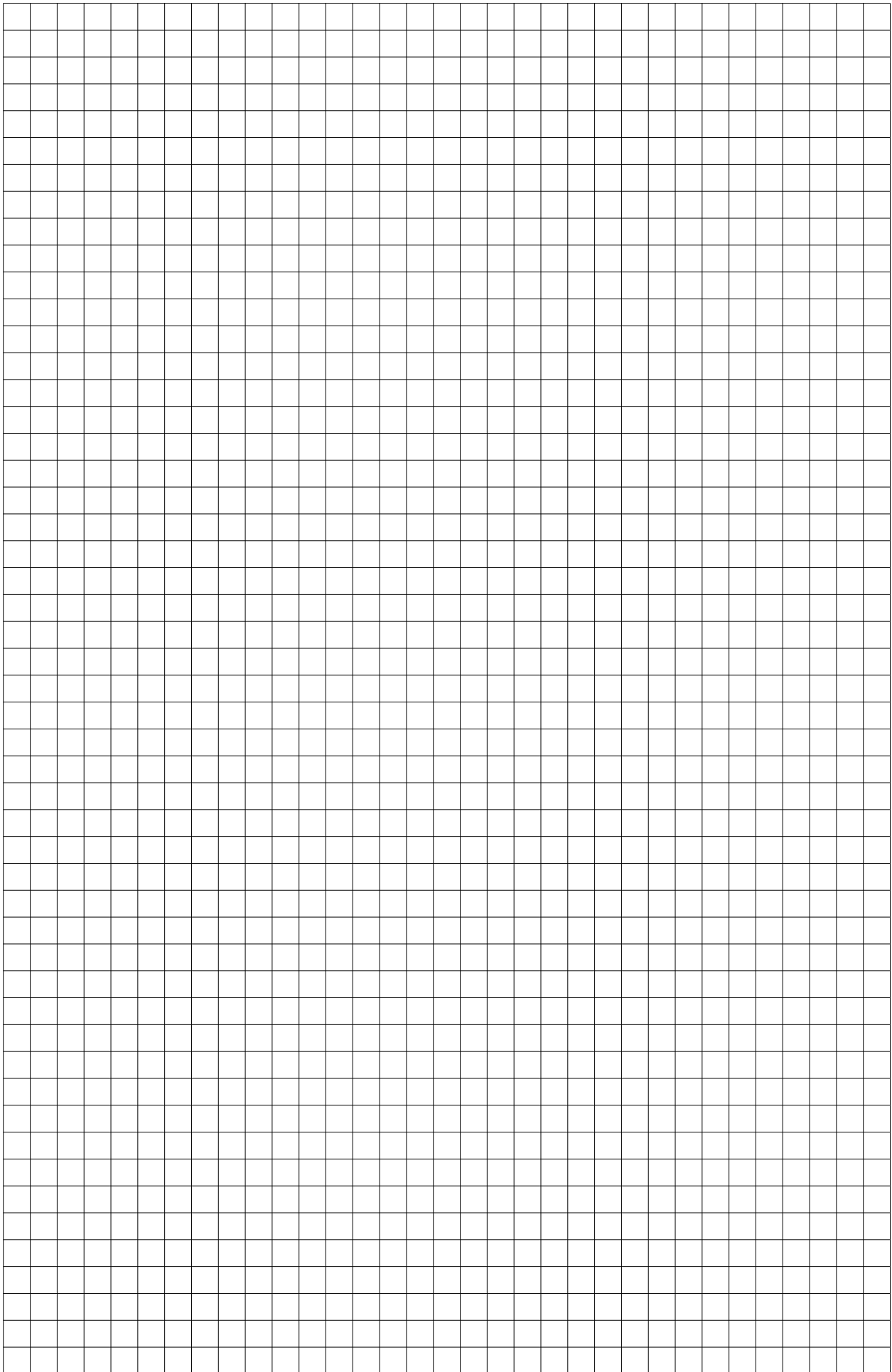
Stûv stoves are guaranteed against:

- manufacturing faults,
- faults with the paintwork on the visible external parts of the stove

The statutory warranty and extended warranty do not cover:

- the components subject to wear and tear (e.g. ash removal grill, vermiculite, seals, flame modeller, control key) which have to be replaced from time to time in normal usage,
- the ash grill stand and stove glass.
- discolouration appearing in the steel after use,

* extension of the legal guarantee (of 2 years) to 3/2/3 years subject to adherence to the applicable conditions (see box)



CONTACTS

**Stûv stoves are designed and
manufactured in Belgium by:**

Stûv sa
rue Jules Borbouse 4
B-5170 Bois-de-Villers (Belgium)
info@stuv.com – www.stuv.com

Stûv reserves the right to make changes without prior notice.
These instructions have been produced with the greatest of care.
However, we do not accept responsibility for any errors that may have been made.
Editor: Gérard Pitance - rue Jules Borbouse 4 - 5170 Bois-de-Villers - Belgium

[nl] [de] [it] [es] [pt] [cz] [en] [fr] >
This document is available in several languages:
Contact your distributor or visit www.stuv.com
