

FOR INSTALLATION ENGINEERS



installation instructions [en]  
Stûv 16-cube

1009 – SN 73 064 > XXXXXX

*This Stûv stove has been designed to offer you maximum comfort and safety. It has been manufactured with the greatest of care. If however you should find the slightest dissatisfaction with it, please contact your supplier.*

*We recommend that you read these instructions prior to installation.*

*Some configurations might have an impact on the sequence of operations to be performed.*

## Contents

Contents	2
<b>PRESENTATION OF THE PRODUCT</b>	<b>3</b>
Standards, certification and technical characteristics	3
Dimensions	4
Recommandations	4
<b>PREPARATION OF THE AREA</b>	<b>5</b>
Combustion air inlet	5
Smoke flue	6
Safety	7
Tools	7
<b>INSTALLATION</b>	<b>8</b>
On taking delivery of the equipment	8
Unpacking	8
The support plate	10
Combustion air connection	11
Positioning of the stove	12
Connection to the smoke flue	13
When the installation of the stove is complete...	14
<b>CONTACTS</b>	<b>15</b>

## PRESENTATION OF THE PRODUCT

### Standards, certification and technical characteristics

The Stûv 16-cube stoves (for intermittent operation) comply with the requirements of EN European Standards in terms of efficiency, gas emissions, safety etc....

Data provided in this notice are supplied by a certified laboratory.



### Test results according to EN 13240: 2001 and 13240-A2: 2004 standards (stoves)



Concept & Forme sa  
B-5170 Bois-de-Villers (Belgium)

07 QA 071324003  
EN 13240: 2001 / A2: 2004

Wood stove **Stûv 16/58-cube**

Minimum safety distance from adjacent combustible materials:

- behind: 10 cm
- on the sides: 15 cm
- below: 0 cm

Recommended fuel: wood logs only

CO emissions: < 0.15%

Average smoke temperature at rated power: 331°C

Nominal heat power: 8 kW

Efficiency: 75%

Particle emissions: 66 mg/Nm<sup>3</sup>

Please read the installation instructions and directions for use!



Concept & Forme sa  
B-5170 Bois-de-Villers (Belgium)

07 QA 071324003  
EN 13240: 2001 / A2: 2004

Wood stove **Stûv 16/68-cube**

Minimum safety distance from adjacent combustible materials:

- behind: 10 cm
- on the sides: 15 cm
- below: 0 cm

Recommended fuel: wood logs only

CO emissions: < 0.18%

Average smoke temperature at rated power: 359°C

Nominal heat power: 10 kW

Efficiency: 75%

Particle emissions: 59 mg/Nm<sup>3</sup>

Please read the installation instructions and directions for use!



Concept & Forme sa  
B-5170 Bois-de-Villers (Belgium)

07 QA 071324003  
EN 13240: 2001 / A2: 2004

Wood stove **Stûv 16/78-cube**

Minimum safety distance from adjacent combustible materials:

- behind: 10 cm
- on the sides: 15 cm
- below: 0 cm

Recommended fuel: wood logs only

CO emissions: < 0.20%

Average smoke temperature at rated power: 389°C

Nominal heat power: 12 kW

Efficiency: 74%

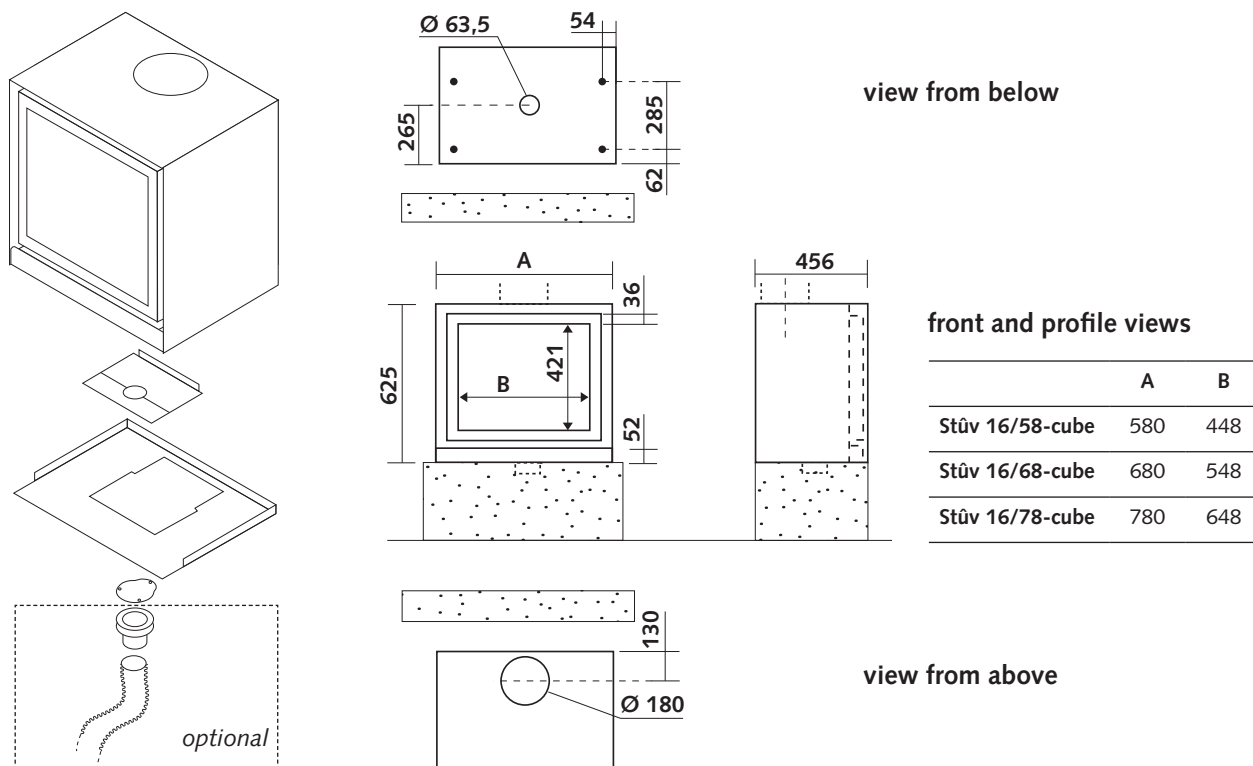
Particle emissions: 51 mg/Nm<sup>3</sup>

Please read the installation instructions and directions for use!

Other technical characteristics

	Stûv 16/58-cube	Stûv 16/68-cube	Stûv 16/78-cube
Minimum draught needed to obtain the rated calorific output	12 Pa	12 Pa	12 Pa
Weight-flow ratio of smokes	6.2 g/s	7.1 g/s	8.0 g/s
Average smoke temperature at rated power	331°C	359°C	389°C
Minimum diameter of the duct for the intake of outside combustion air	63 mm	63 mm	63 mm
Optimum output range for usage	6–9 kW	7–11 kW	8–12 kW
Range of wood consumption per hour recommended (at 12% humidity)	1.8–2.7 kg	2.1–3.3 kg	2.4–3.6 kg
Maximum limit for consumption of wood per hour (to avoid overheating the system)	3.8 kg/h	4.7 kg/h	5.6 kg/h
Maximum length of logs in horizontal position	40 cm	50 cm	60 cm
System mass	128 kg	143 kg	156 kg

Dimensions



Recommandations

We strongly recommend you entrust the installation of this Stûv to a qualified professional who is able to ensure that the characteristics of the smoke flue correspond to the stove installed.

The installation of the stove, its accessories and surrounding materials must adhere to all regulations (local

and national) and all standards (national and European).

Some national and local regulations require the installation of an access flap in the connection between the stove and the smoke flue.

The stove has to be installed in such a way as to facilitate access to sweep

the stove, the connection duct and the smoke flue.

Any modification made to the system may be dangerous and will invalidate the guarantee.

## PREPARATION OF THE AREA

### Combustion air inlet

The stove requires air for combustion.

#### The air is drawn from outside [diagram 1]

The Stûv 16-cube is designed to be directly connected to an outside air inlet (independent of the air in the house). This configuration - which we recommend - guarantees good operation regardless of the degree of air-tightness in the building or the pressure variations in the house due to a kitchen hood or controlled mechanical ventilation, for example.

This air inlet comes from a ventilated empty space, a ventilated room (cellar) or from outside (mandatory regulation in some countries).

The duct carrying this air...

... will be protected on the outside by a grill [diagram 1] the free passage section of which is at least equivalent to the section of the air inlet:  $\varnothing$  63 mm. Please note that the infiltration of water and the effect of the wind can damage the system.

... will be as short as possible to prevent pressure loss and to prevent making the house cold.

With our flexible standard duct ( $\varnothing$  6.3 cm), we recommend a maximum length of 2 m and no more than 4 bends. If you exceed these guidelines, you must compensate with a greater diameter and/or a smoother duct.

Careful not to crush the flue.

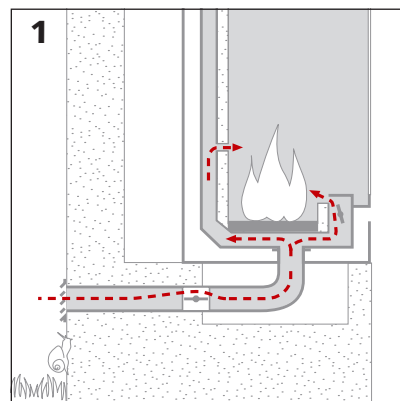
#### The air is drawn from the room [photo 2]

If the stove is not connected directly to an outside air inlet, a sufficient air inlet (approximately 50 cm<sup>2</sup>) should ideally be created close to the stove.

Air can be drawn from the room via the inlet at the bottom of the front of the stove [diagram 2].

#### Warning!

Ensure the configuration chosen fully meets local and national regulations.



## Combustion air inlet (continuation)

### The internal/external valve

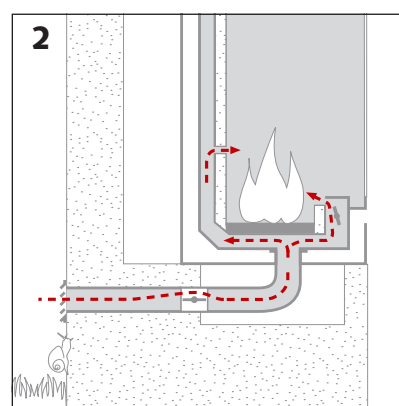
[picture 1 and diagram 2] prevents the house from becoming cold when the stove is not in use.

This device is optional if you choose a direct connection to the stove. However, it is interesting if the lengths of the ducts to the stove are too great or installation is carried out in an energy-efficient home.

It should ideally be located as close as possible to the outside wall. Attention: length of the flexible of the valve control = 1.2 m.

### Please note

Be careful with air extraction systems (kitchen hoods, air conditioning, mechanically-controlled ventilation, other stoves) in operation in the same space or in an adjacent room. They also use lots of air and can cause a depression in the room and prevent the stove from operating correctly (risk of draughtback). They can affect the operation of the stove even if it is connected to an outside air inlet.



## Smoke flue

Ensure the flue's dimensions meet local regulations and the applicable installation standards in line with good practice.

### Basic information

For good draught, the stove must be suited to the flue (or vice versa).

An oversized flue is as detrimental to the smooth operation of the stove as an undersized flue. At [www.stuv.com](http://www.stuv.com) > questions – answers you will find a simplified method for roughly calculating the flue characteristics based on the type of stove.

Consult a professional for a more accurate calculation.

The flue should be as straight as possible and insulated to encourage the draught and prevent condensation.

The ideal solution is a flue built inside the building and thermally insulated.

An outside flue without any insulation must be avoided.

The stove can only be connected to a smoke flue serving several systems on 3 conditions:

- all the systems connected to this flue use the same fuel,

- they have automatically closing doors like the Stûv 16-cube,
- the flue has been checked for this type of usage; consult a professional if necessary.

### Standard diameter of the smoke outlet: 180 mm

Some flue configurations may require a different diameter than that provided as standard. Should this be the case, please consult your retailer.

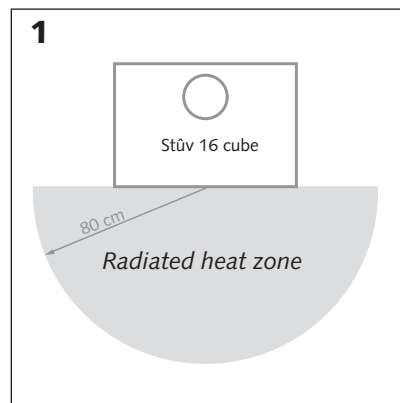
## Safety

### Holding capacity of the structure

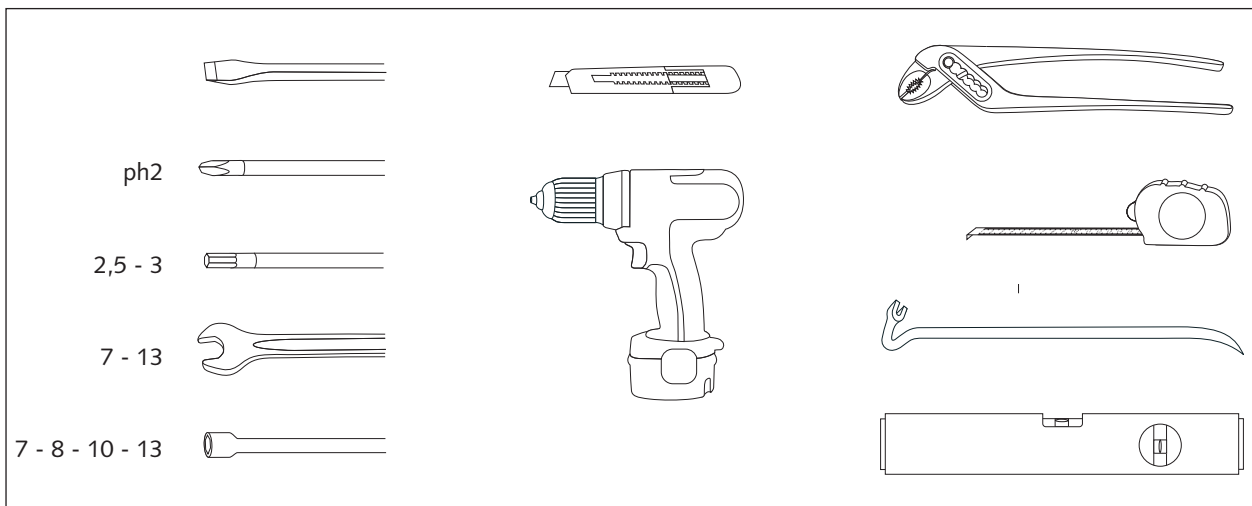
Ensure that the resistance of the floor is sufficiently strong to support the stove and the construction of the cladding. If in any doubt, please consult a specialist.

### Radiated heat

Significant heat may be radiated through the glass door. Ensure the materials exposed to this radiated heat are resistant to high temperatures [diagram 1].



## Tools



## INSTALLATION

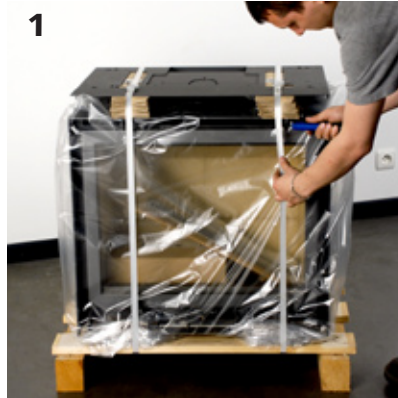
### On taking delivery of the equipment

#### Please note!

Upon receipt of this stove, please ensure that the glass door has not been damaged during delivery. The guarantee only covers damage due to transport if it is reported within 48 hours of delivery and it is indicated on the delivery slip [picture 1].

#### Complaints

Always indicate the serial number visible on the stove when making a complaint [picture 2].



### Unpacking

#### Please note!

The paint is not oven baked and is therefore relatively fragile but will harden after being heated a few times. Handle the system with care when installing.

#### Checking the order

Where accessories have been ordered (frame, support,...), they will be found around the hearth or its packaging. Please check all accessories are supplied as ordered.

The installation instructions and the directions for use are attached to the packaging.

Inside the combustion chamber, you will find...

- [a] Paint spray for touch-up
- [b] grips to handle the finishing cover
- [c] flap
- [d] graduated tablet
- [e] cold handgrip to handle the door and the valve
- [f] anti-sweep stainless steel bar



- [g] 2 bolts for attaching the front of the stove to the support plate
- [h] 2 screws for attaching the back of the stove to the support plate
- [i] adjustable levelling feet
- [j] valve cover



### Before moving the stove

Dismantle the door: unfasten the resisting spring [photo 2], then remove it,

Lift off the cover

- remove the 4 screws on either side of the door [photo 3],
- take off the cover using the grips provided [photo 4].

### Moving the stove

- using a pallet truck: leave it on its pallet,
- using a hand truck: insert some cardboard to protect the back of the stove, turn the stove onto its back, leave the pallet in its position,
- by hand: take hold of the stove at the front [photo 5] and at the back [photo 6].

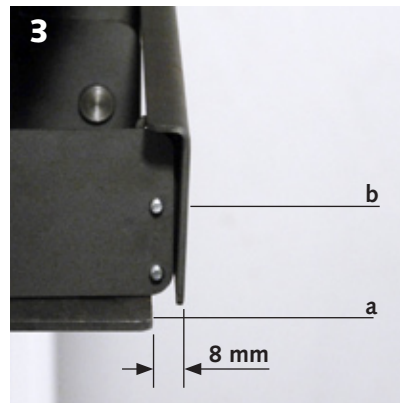
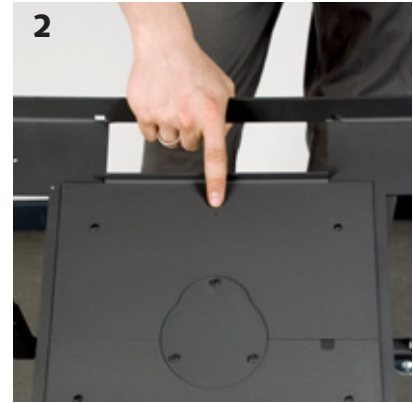


## The support plate

The Stûv 16-cube must be installed on a plate [photo 1] to which the outside air inlet duct for combustion can be connected. In some versions, a fan can also be installed here.

The position of the plate will determine the position of the stove. It is thus essential to align it accurately with the smoke flue. A small hole cut in the sheet metal [photo 2] indicates the verticality of the smoke outlet.

Please bear in mind that the front edge of the plate [photo 3 a] will stand 8 mm back from flap [photo 3 b].



## Combustion air connection

### Air drawn from outside

The combustion air is drawn from outside by means of a duct [diagram 1] connected to the support plate.

Remove the plug [photo 2] and the cover at the front [photo 3].

Fit the duct over the sleeve [photo 4] and secure it with a clamp collar [photo 5] with the collar attachment turned towards the back of the stove.

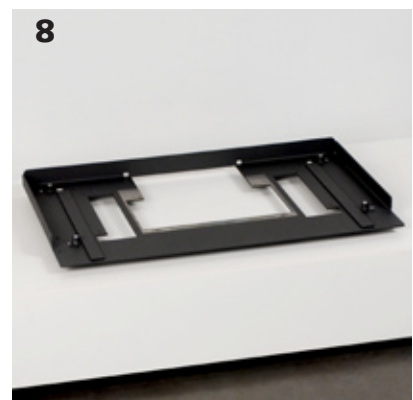
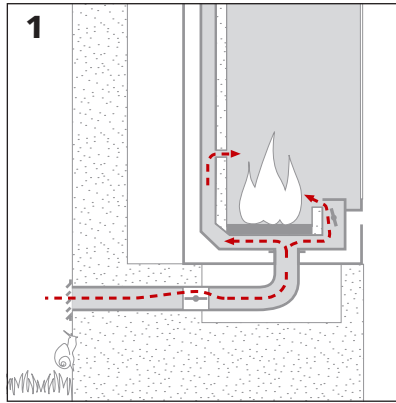
Insert the 2 M4 screws with hexagonal heads into the cover at the front, put the sleeve between the 2 screws [photo 6] and then fasten it all.

Ensure the plate is level and attach it to the base [photo 7].

### Combustion air is drawn from the room where the stove is installed

Make sure there will be adequate air renewal once the stove is operating.

Remove all of the covers of the support plate [photo 8].



## Positioning of the stove

Place the stove onto the plate.

The stove's lug [photo 1-a] must be lowered onto the hole [b] cut in the plate.

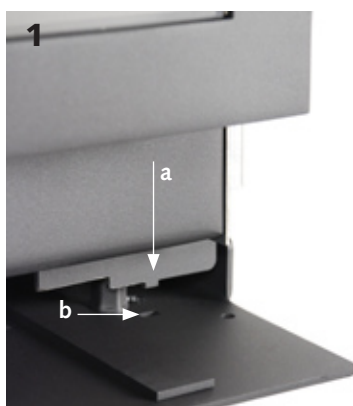
Fasten the stove to the plate using screws and nuts [photos 2, 3 and 4].

Put on the cover [photo 5]. The hole cut in the cover should be centred in relation to the stove's smoke outlet.

Attach the cover using the 4 screws at the front [photo 6], starting with the lower screws.

The upper part of the cover has to be fixed to the stove using a bolt provided for this purpose [photos 7 and 8]:

- undo the bolt's hexagonal screw [photo 7]
- swivel it 3/4 of a turn [photo 8] and retighten.



## Connection to the smoke flue

To avoid damage to the diverters when sweeping the chimney, we recommend putting the stainless steel bar over the smoke outlet [photo 1].

Simply put the duct into the stove's smoke outlet. Leave a 2 mm gap lengthways to allow for expansion.



## Installation of the valve control

### La coiffe registre

Valve cover

[photo 1]

It is found inside the stove for transport.

Unscrew the screws temporarily.

Put on the valve cover so that the cursor [photo 2-a] is in the notch. Move the cover to the left and firstly fasten the screw on the right and then the screw on the left.

### The flap

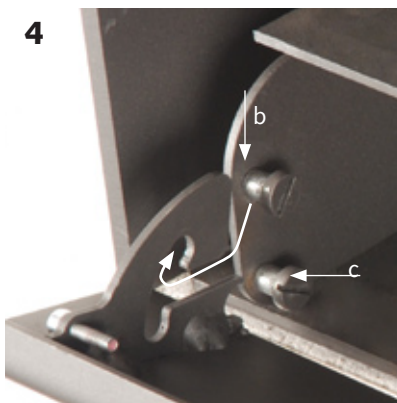
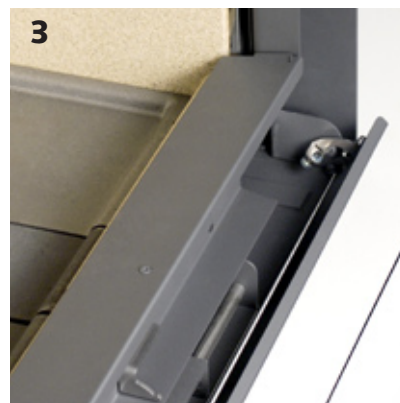
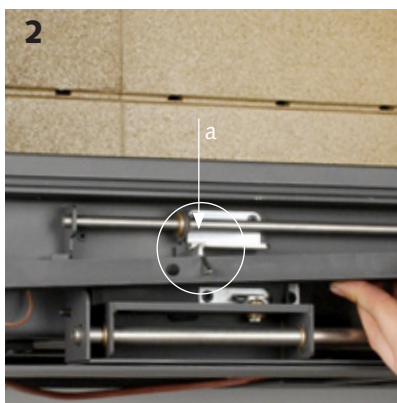
This part protects the mechanisms inside the stove [photo 3].

The flap fits onto the stop screw [pic. 4-b] and pivots on the screw [c].

Adjust the screw [pic. 5] on the right-hand side of the flap (holding the magnet) so that:

- the magnet has sufficient force of attraction,
- and that the flap is vertical in a closed position.

The magnet attracts the filings: keep the contact parts clean !



## Installation de la commande du registre (continuation)

### Refitting the door

Put the door back on its hinges [picture 6].

A spring inside the door shuts it automatically; hook up the spring to its lug inside the stove [picture 7].

### Graduated tablet

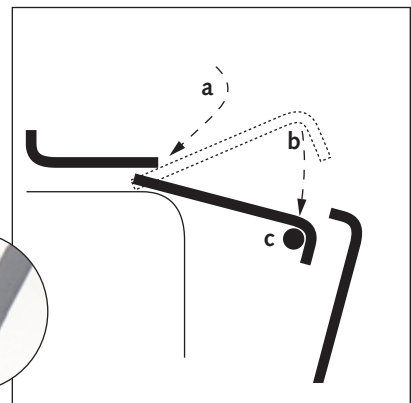
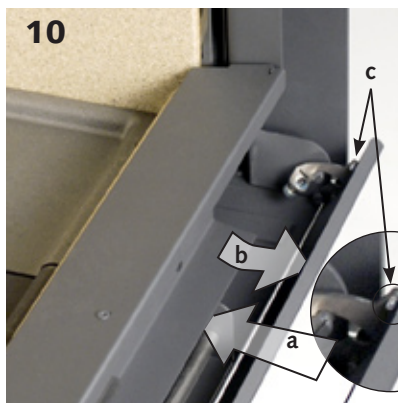
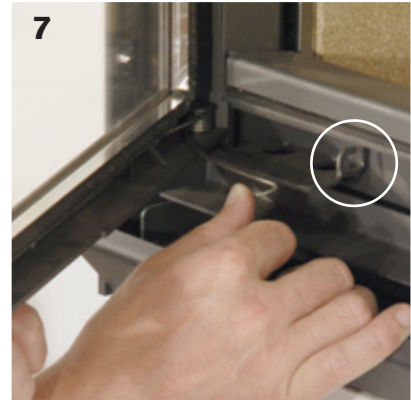
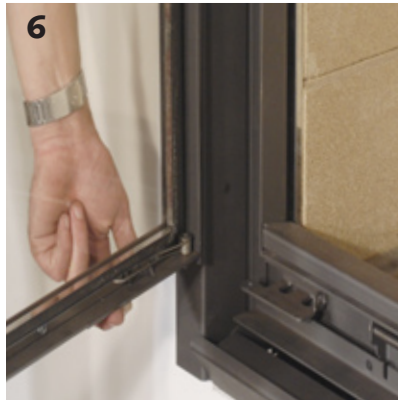
Tilt the flap [picture 8].

The graduated tablet must be centred in relation to the valve [photo 9].

Put the back edge of the tablet under the valve cover [photo + diagram 10-a].

The front edge of the tablet is inserted between the front part of the flap [10-b] and the 2 lateral screws [10-c].

Close the flap.



## When the installation of the stove is complete...

... Carry out a test to ensure it is working correctly.

Before this test, ensure no items involved in installation have been left in the combustion chamber or in the bends (spray paint, tubes of grease, tools).

When the fire is first lit, some smoke or odours may be produced: Ventilate the room thoroughly.

See directions for use.

Once installation is complete, return the directions for use to the user. Fill in the guarantee certificate with him (at the back of the directions for use) and advise him to return it to the manufacturer or importer.

## CONTACTS

### **Stûv stoves are designed and manufactured in Belgium by:**

Concept & Forme sa  
rue Jules Borbouse 4  
B-5170 Bois-de-Villers (Belgium)  
info@stuv.be – www.stuv.be

### **Importer for the UK**

Jet Master Fires Ltd – Unit 2  
Peacock trading Estate, Goodwood Rd  
S050 4NT Eastleigh – Hampshire  
T 0870 727 0105  
jetmastersales@aol.com  
www.jetmaster.co.uk

### **Importer for Finland**

Ilkka Alatarvas OY  
Pikkujärventie 4B  
01680 Vantaa  
T 400 872 858  
www.takkamaailma.com

### **Importer for Sweden**

Eldoform Sverige AB  
Slipgatan 2 – 117 39 Stockholm  
T 0707 883 53 – www.eldoform.se

### **Importer for Denmark**

Stove APS  
Aldershvilevej 84 – 2880 Bagsvaerd  
T 51 33 10 93

### **Importer for Estonia**

Tulering Kaminasalong Oü  
Sopruse 145 – 13417 Tallinn  
T +372 56 249 004 - www.tulering.ee

# CAUTION!

Upon receipt of this stove, please ensure that the glass door has not been damaged during delivery.

The guarantee only covers damage due to transport if it is reported within 48 hours of delivery and it is indicated on the delivery slip.

printed on 100% recycled paper

## installation instructions Stûv 16-cube

# [en]

1009 – SN 73 064 > ...

Stûv reserves the right to make changes without prior notice.  
These instructions have been produced with the greatest of care.  
However, we do not accept responsibility for any errors that may have been made.  
Editor: Gérard Pitance – rue Jules Borbouse 4 – 5170 Bois-de-Villers – Belgium

[nl] [de] [it] [es] [pt] [cz] [en] [fr] >  
This document is available in several  
languages: Contact your distributor or visit  
[www.stuv.eu](http://www.stuv.eu)