

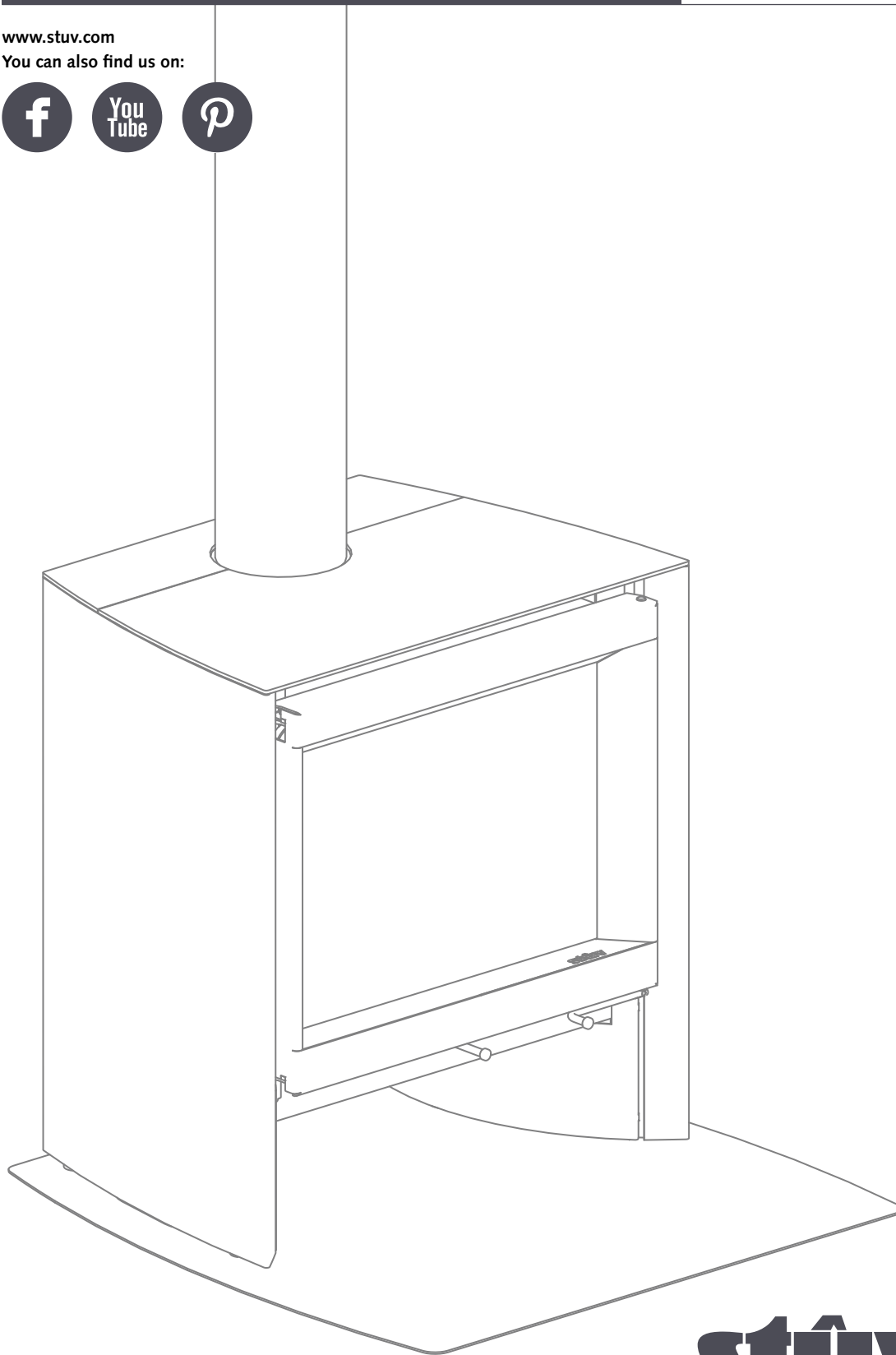
To give to the user

Instructions for use

EN

www.stuv.com

You can also find us on:



stuv6-H

November 2023

93104934

*You have chosen a Stûv stove;
thank you.*

*It has been designed to give you
maximum comfort, performance and
safety. The greatest care has been
taken during the manufacturing*

*process. If you still have any
problems, please contact your
distributor.*

Contents

INSTALLATION REPORT	3
ABOUT THE PRODUCT	5
Norms, accreditations and technical features	5
Recommendations	6
Overview	7
Dimensions	8
How does your Stûv 6 work?	10
Fuel	11
USE	13
Recommandations	13
Basic usage	14
Initial cautions	14
Lighting the fire	15
Maintaining the fire	16
Putting out the fire	17
Between two fires	17
MAINTENANCE	18
Regular maintenance	18
Annual maintenance	19
Chimney-sweeping	20
In case of problems...	20
Annual maintenance	21
THE EXTENSION OF THE STÛV GUARANTEE :	24
SPF CERTIFICATION FOR BELGIUM	26
PERFORMANCE DECLARATION (EU305/2011)	29
PRODUCT DATAFICHE (EU2015/1186)	32
CONTACTS	35

INSTALLATION REPORT

Name of Stûv reseller:

Device reference number:

Serial number:

Fitting date:

Flue

- Inside the building
 - standing against an external wall
 - in the middle of the building

- Outside the building

Type of flue:

Flue

- ceramic
- fire-resistant
- terracotta
- concrete
- Double wall casing
- Brick
- Rigid or flexible casing in existing flue

Offset: yes no

Number of offset(s) and angle(s)

Flue cross-section:

If casing, casing cross-section:

Insulating the flue over its entire height:

- yes no

Cap:

- yes no

If cap, type:

Connection duct

- Connection towards the top
- Connection towards the back

Length of flue connector:

Offset: yes no

Number of offset(s) and angle(s)

Chimney cross-section:

If there is any reduction, indicate the cross-section:

Flue connector insulation:

- yes no

convection

- Fan

Intake orifice (Ø or cm²):

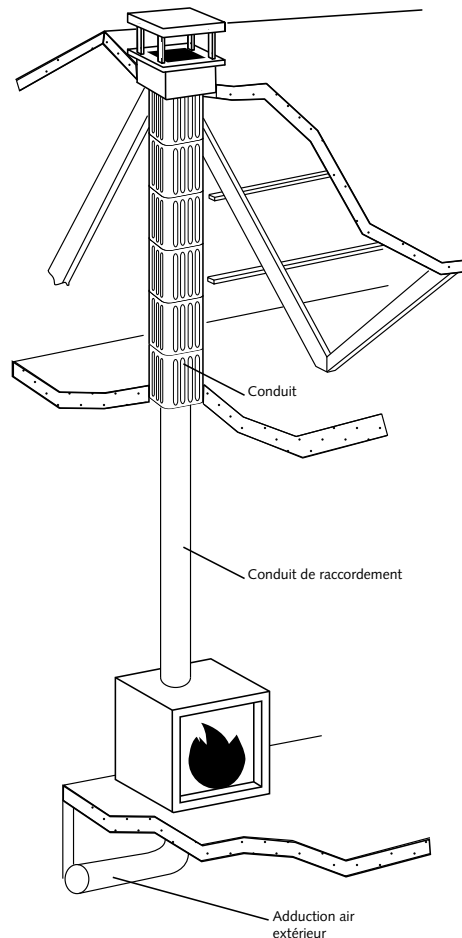
Outlet orifice (Ø or cm²):

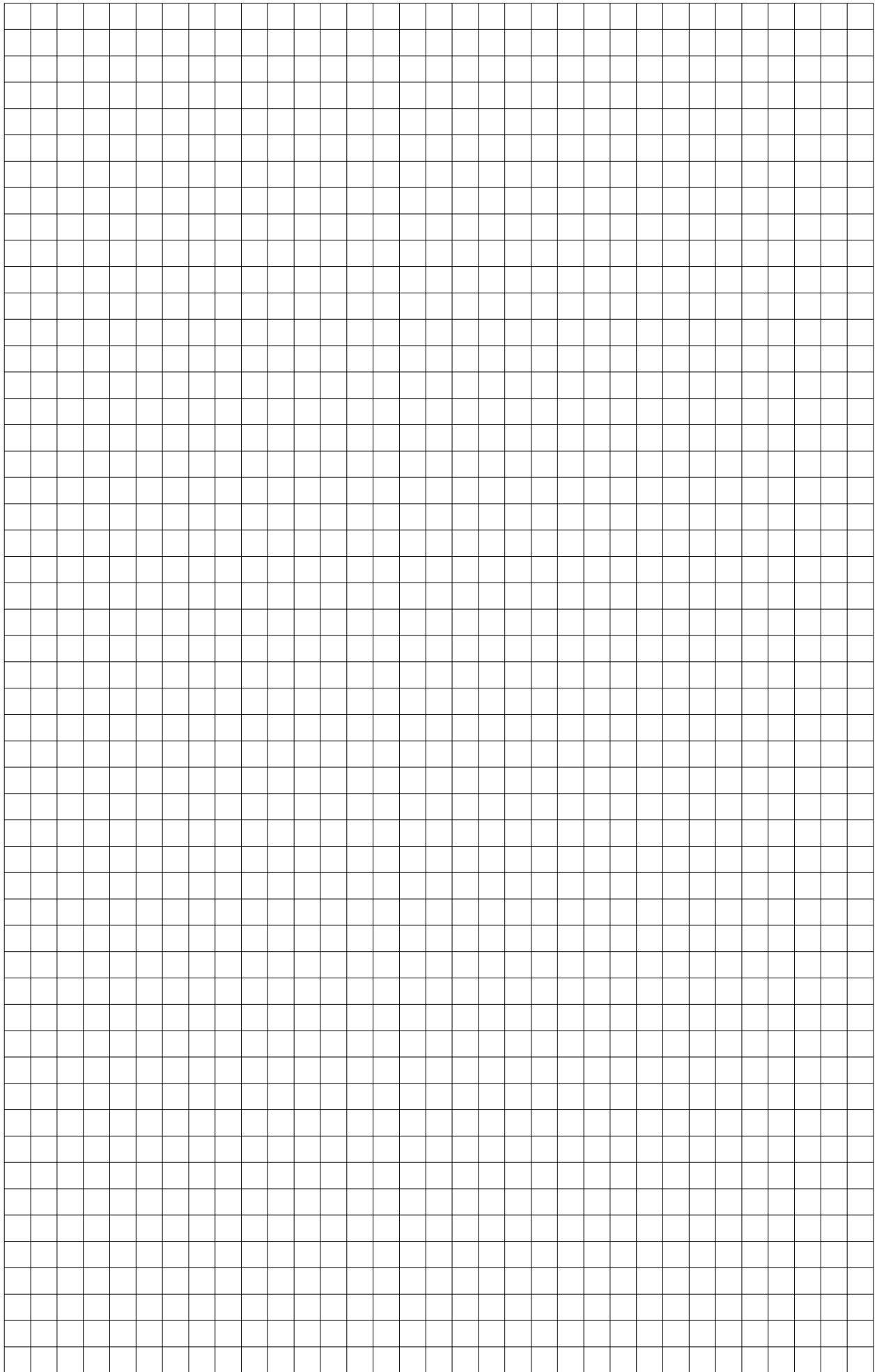
External air intake

Direct external air intake connection

External air intake position :

External air intake source :






ABOUT THE PRODUCT

Norms, accreditations and technical features

Stûv 6-H intermittent stoves comply with European **EN 13240** standards (performance, gas emissions, safety etc.).

The following information has been provided by an accredited laboratory.

Results of tests that comply with EN 13240 standards: 2001 and 13240-A2:2004 (stoves)

 In all cases, your installation must comply with standards **EN 15287-1 or -2 and their appendices**. Consequently, your flue pipe must comply with standard **EN 13384 -1 and its appendix**.



The Stûv 6-H is covered by pattern drawings no. DM205982



Stûv S.A.
B-5170 Bois-de-Villers (Belgium)

QA191322927-EN
EN 13240: 2001 / A2: 2004

Wood-burning stove
Stûv 6 56x50H (UK)

Minimum safety distance from adjacent combustible materials :

- behind : 7,5 cm
- on the sides : 15 cm
- below : 0 cm

Recommended fuel:
wooden logs only

CO emissions: 0,07 (0,08)%

Average smoke temperature at nominal power: 254 (253)°C

Nominal heat output: 5,9 (5,0) kW

Efficiency: 79%

Particle emissions: 24 (38) mg/Nm³

Read the installation instructions and the instructions for use!



Stûv S.A.
B-5170 Bois-de-Villers (Belgium)

QA191322928-EN
EN 13240: 2001 / A2: 2004

Wood-burning stove **Stûv 6 66x55H**

Minimum safety distance from adjacent combustible materials :

- behind : 7,5 cm
- on the sides : 15 cm
- below : 0 cm

Recommended fuel:
wooden logs only

CO emissions: 0,07%

Average smoke temperature at nominal power: 271°C

Nominal heat output: 7,6 kW

Efficiency: 79%

Particle emissions: 24 mg/Nm³

Read the installation instructions and the instructions for use!



Stûv S.A.
B-5170 Bois-de-Villers (Belgium)

QA191322929-EN
EN 13240: 2001 / A2: 2004

Wood-burning stove **Stûv 6 76x60H**

Minimum safety distance from adjacent combustible materials :

- behind : 7,5 cm
- on the sides : 15 cm
- below : 0 cm

Recommended fuel:
wooden logs only

CO emissions: 0,06%

Average smoke temperature at nominal power: 284 °C

Nominal heat output: 9,3 kW

Efficiency: 79%

Particle emissions: 21 mg/Nm³

Read the installation instructions and the instructions for use!

Norms, accreditations and technical features (continued)

	Stûv 6 56x50H (UK)	Stûv 6 66x55H	Stûv 6 76x60H
Minimum draft to achieve the nominal heating power	12 Pa	12 Pa	12 Pa
Smoke mass flow	5,6 (5,0) g/s	7,0 g/s	8,4 g/s
Smoke temperature at the device outlet (flue spigot)	355°C	355°C	354°C
Minimum cross-section of the combustion air inlet from the outside	80 mm	80 mm	80 mm
Optimum power range for use	4 - 8 kW	5 - 10 kW	6 - 12 kW
Wood burning range per hour at the recommended 12% humidity level	1,1 - 2,3 kg/h	1,4 - 2,9 kg/h	1,7 - 3,4 kg/h
Maximum amount of wood to be burned per hour to prevent the device from overheating	2,5 kg/h	3,3 kg/h	4,0 kg/h
Maximum log length when laid horizontally	20 cm	33 cm	50 cm
Weight of the device	80 kg	95 kg	105 kg

Recommendations

We recommend that you ask a qualified professional to install this Stûv, who will be able to make sure, among other things, that the characteristics of the flue are suitable for the stove being installed.

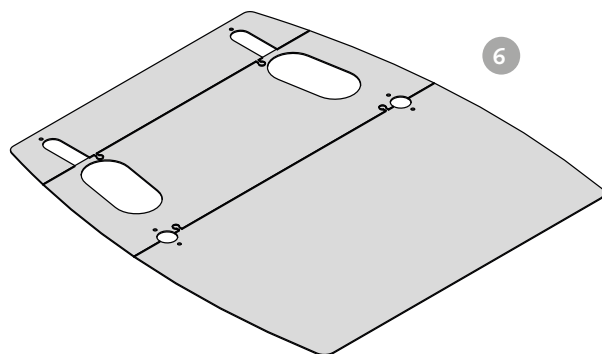
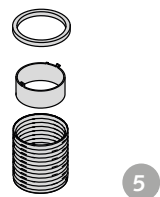
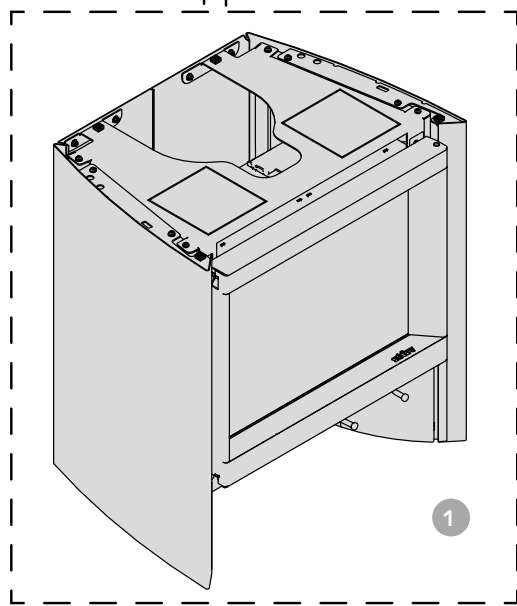
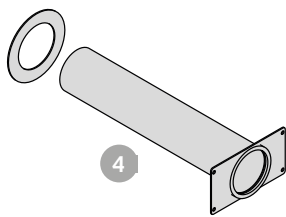
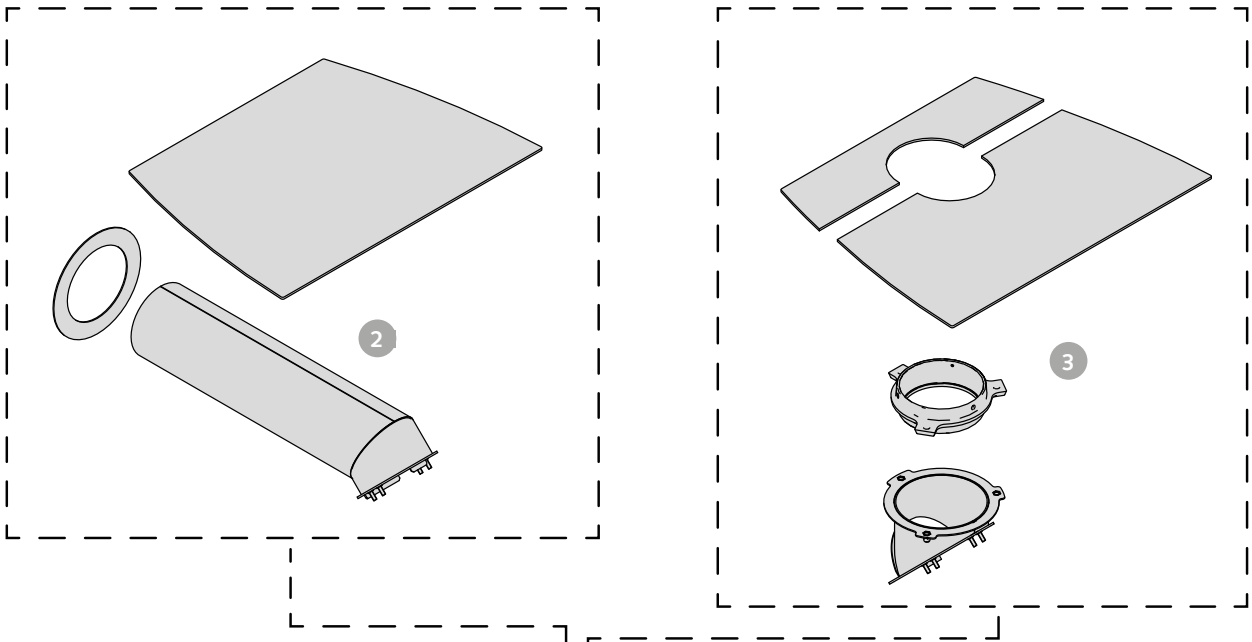
Installation of the stove, its accessories and the surrounds must comply with all (local and national) regulations and (national and European) norms in the country in which it is installed.

Certain national or local regulations require an inspection panel for the

connection between the stove and the smoke duct.

The stove must be installed in such a way as to facilitate access to sweep the chimney, the flue and the smoke duct.

Any modification to the device may be hazardous.
In addition, the device will no longer be covered by the warranty.



The device

[1] Stove

Connection to the combustion smoke outlet pipe

[2] Smoke outlet towards the rear and corresponding finishing cover

[3] Smoke outlet upwards and corresponding finishing covers

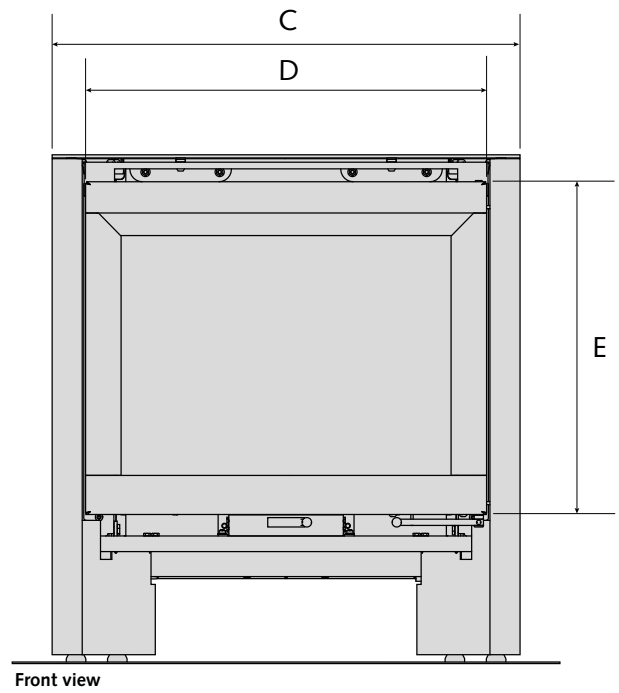
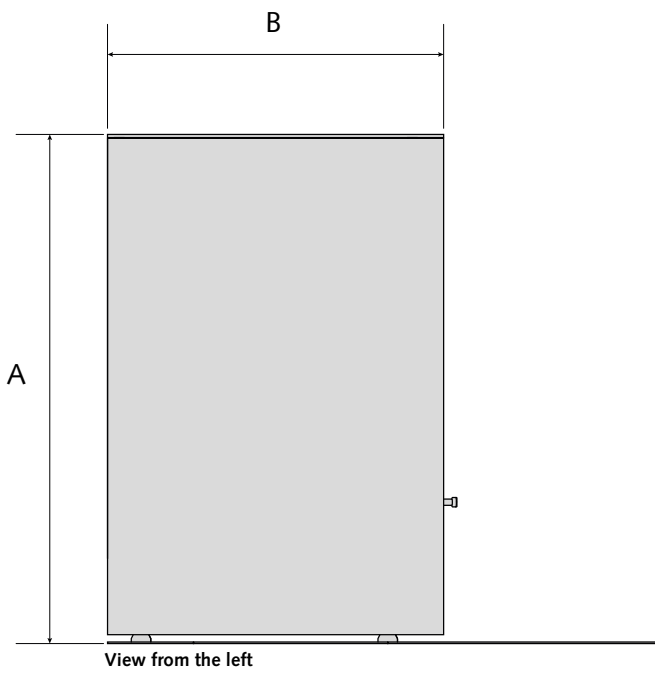
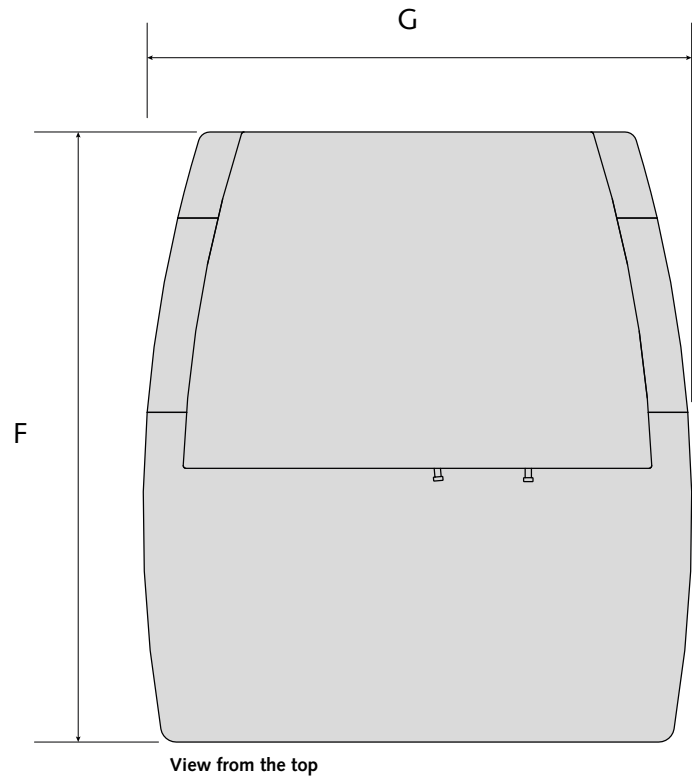
Options

[4] Ø80mm rear air connection kit

[5] Ø80mm air connection kit from below

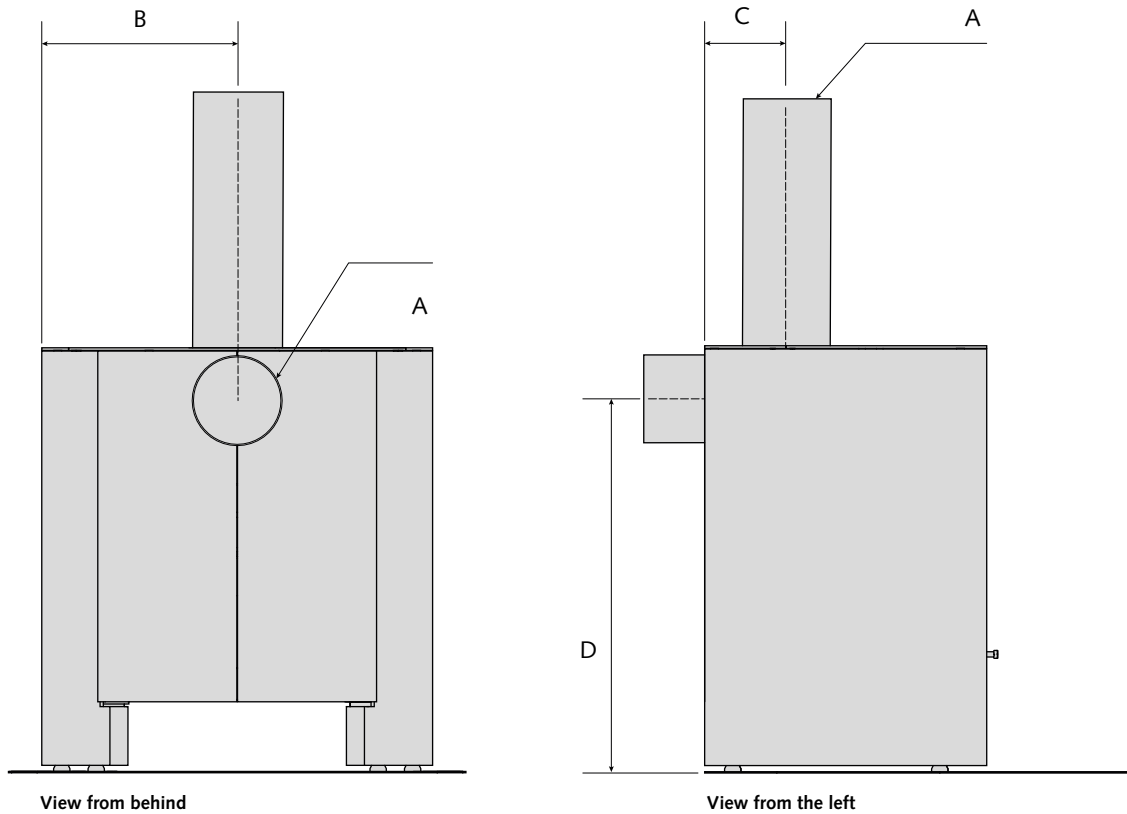
[6] Floor protection plate

Dimensions of the appliance and the floor plate (optional)



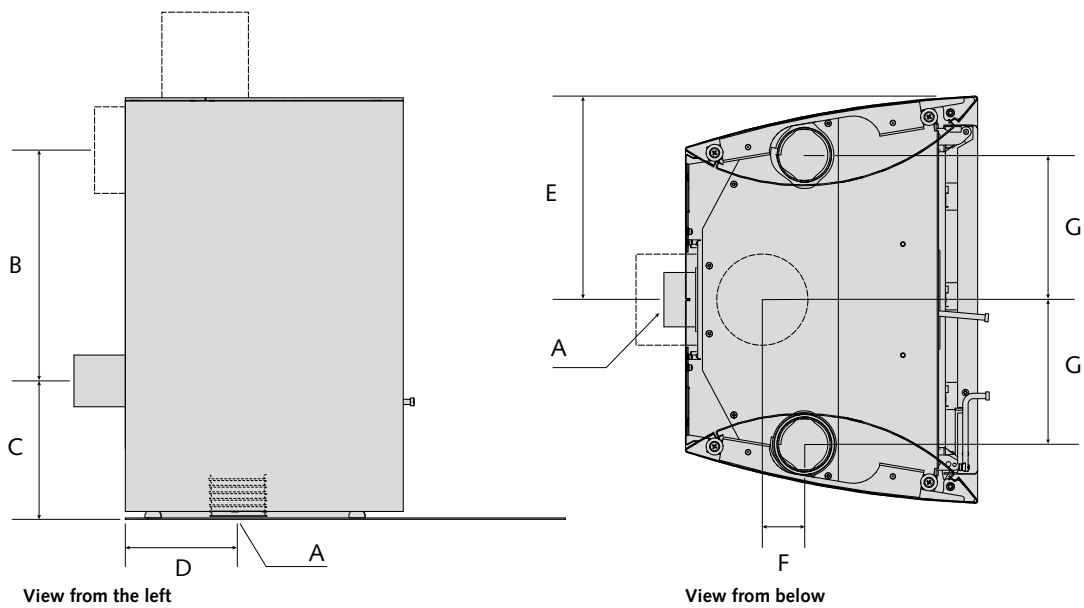
	A	B	C	D	E	F	G
Stův 6 56x50H	650	430	600	513	426	780	700
Stův 6 66x55H	725	430	700	613	476	780	800
Stův 6 76x60H	800	430	800	713	526	780	900

Dimensions and positions of the smoke outlets



	A	B	C	D	
Stûv 6 56x50H	Ø130	300	124	562*	
Stûv 6 66x55H	Ø150	350	124	637*	
Stûv 6 76x60H	Ø150	400	124	712*	*-0/+10mm

Dimensions and positions of the air intakes



	A	B	C	D	E	F	G	
Stûv 6 56x50H	Ø80	357	212*	175	300	50	213	
Stûv 6 66x55H	Ø80	400	237*	175	350	50	263	
Stûv 6 76x60H	Ø80	450	262*	175	400	50	313	*-0/+10mm

It heats!

When the stove is working (i.e. when the lighting stage is finished) the bed of embers will glow and the logs will produce large flames. The temperature in the combustion chamber [a] is very high and the heat dissipates in two ways:

- by radiation through the glass door,
- also by convection: the air circulates in the double wall [b] around the combustion chamber and reheats before dissipating around the room [c].

Conserving heat

The flue [d] is full of hot gases that are much lighter than the air outside and therefore rise out of the flue that is holding them. The flue therefore literally sucks in the gases contained in the stove. However, it is important that the gases and the heat that they contain do not escape too easily from the flue.

Two mechanisms stop them:

- Firstly, the air needed for combustion cannot get into the stove unless the regulator lever is used [e] – this allows you to control the quantity needed to obtain the desired rate.
- The hot gases cannot enter directly into the flue: they have to pass through a system of deflectors [f] which form a second bottleneck.

Owing to these bottlenecks, the heat increases in the stove which is one of the objectives aimed at.

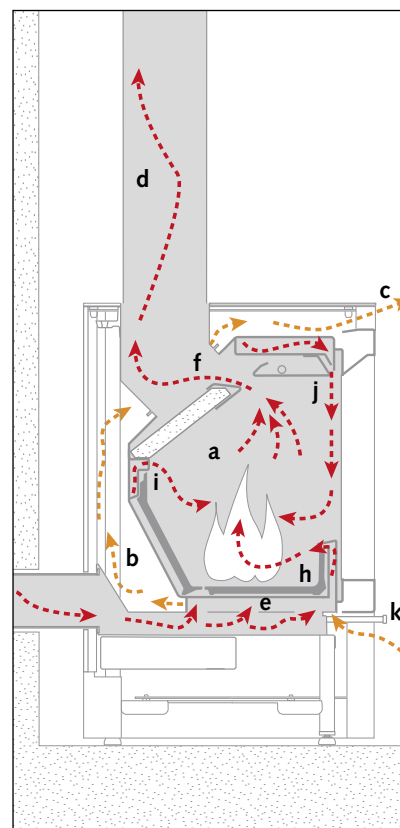
The higher the temperature is, the more fully combustion takes place (better efficiency) and the lower the level of noxious waste.

Exactly what's required where it's required!

The air required for combustion is strictly reduced to the amount necessary and, when the stove is in operation, it is distributed as follows:

- a small amount feeds the base of the flames [h],
- another quantity enters the combustion chamber through small holes [i] at the back of the chamber and ignites the residual gases in the upper part of the stove; this is "post-combustion",
- a final quantity sweeps the glass [j] to prevent smoke from condensing there. This air is also used in "post-combustion".

You determine the rate of the stove by controlling the amount of combustion air using the control valve [k]. This has been designed to optimally distribute airflows in a single action whatever the rate chosen.



Which wood should you choose?

Different kinds of wood have different heat capacities and do not burn in the same way.

Generally you should opt for hard wood such as oak, beech, ash, hornbeam or fruit trees. They produce lovely flames and a lot of embers which will glow for a long time.

Drying

Whatever the wood chosen it should be really dry. Damp wood heats a great deal less and a great part of the energy is used to evaporate the water it contains. The sapwood –as the soft wood just beneath the bark is called– can contain up to 75% of water.

Furthermore, moist wood releases a lot of smoke and not many flames and it causes the fireplace, its window and the flue to get dirty and soot up. Big logs should be split for the wood to dry better. Wood should be covered or sheltered from the rain, but well ventilated.

Generally you should allow two years for the wood to dry properly. You will soon learn to estimate the dryness of logs by weighing them in your hand. The dryer they are the lighter they will feel, and they will produce a clearer sound when you knock two together.

Beech [photo 1], ash

Firewood to be recommended: they dry quickly and are readily available. They should be stored under shelter as soon as they have been cut and split otherwise they rot very quickly and lose their heat capacity. They are easy to ignite, provide dynamic fires and rather bright flames.

Oak [photo 2]

An excellent fuel but –contrary to other wood– must remain unsheltered for 2 years so that rain can wash away the tannins it contains. Then it should be stored under shelter for another two years or so before being suitable for burning. There is a significant proportion of sapwood (which burns too quickly) in small branches. Oak burns slowly, provides a quiet fire and gives nice embers. This is ideal

for having a barbecue and a fire at a lower rate.

Hornbeam [photo 3], cherry wood [photo 4], fruit trees

Excellent fuels but scarce. These are hard woods providing nice flames, harmonious, quiet and give nice embers. This is ideal for having a barbecue or a less intense fire.

Birch [photo 5], lime, chestnut, poplar, robinia, acacia

These are broad-leaved trees producing soft wood. They provide nice but lively flames and few embers. Wood burns fast and will be used to light or rekindle the fire.

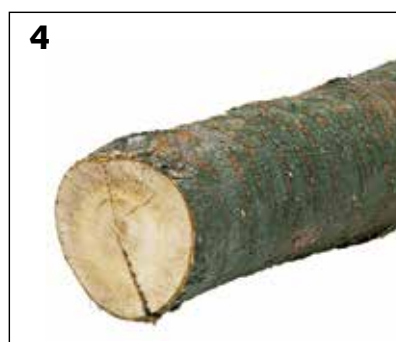
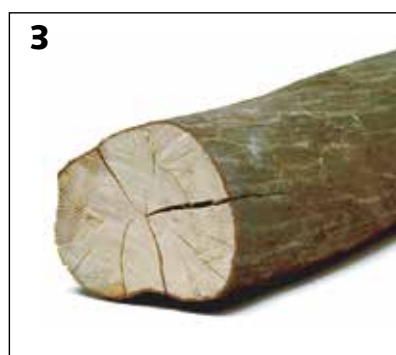
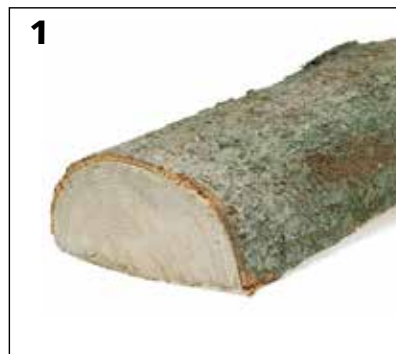
Warning: Poplar produces abundant and volatile embers. Robinia and acacia can cause important ember projections.

Coniferous woods

They produce a lot of heat but burn quickly; they sputter embers and the resin they contain foul up the flue. The use of coniferous woods should be avoided. Burning coniferous wood is tolerated if it is in a mixture with dense hardwood (Max 1/4 coniferous for 3/4 hardwood).

Unsuitable

Stûv stoves are designed for domestic use, and should never be used for burning waste of any kind. Only burn wood logs; do not burn coal, chipboard, varnished or chemically treated wood or any other fuel not recommended (no liquid fuels). The heat produced by these materials is too intense and can damage your stove (including the glass door which can become cloudy) and cause it to soot up. They give off toxic and polluting emanations.



Drying

Whatever the wood chosen it should be really dry. Damp wood heats a great deal less and a great part of the energy is used to evaporate the water it contains. The sapwood – as the soft wood just beneath the bark is called – can contain up to 75% of water. Furthermore, moist wood releases a lot of smoke and not many flames and it causes the fireplace, its window and the flue to get dirty and soot up.

To avoid any energy loss and combustion at a lower rate, Stûv recommends burning wood of over 20% humidity.

Ideally, the wood should be at least 16% humidity [see chart below].

Wood drying

Big logs should be split for the wood to dry better. Wood should be covered or sheltered from the rain, but well ventilated.

Generally you should allow two years for the wood to dry properly. You will soon learn to estimate the dryness of logs by weighing them in your hand. The dryer they are the lighter they will feel, and they will produce a clearer sound when you knock two together.

Moisture tester

This little accessory, available from your Stûv dealer, accurately tests the quality of the wood and its moisture content.

Before measuring the moisture content, split the log. Take the reading on the freshly split face of the



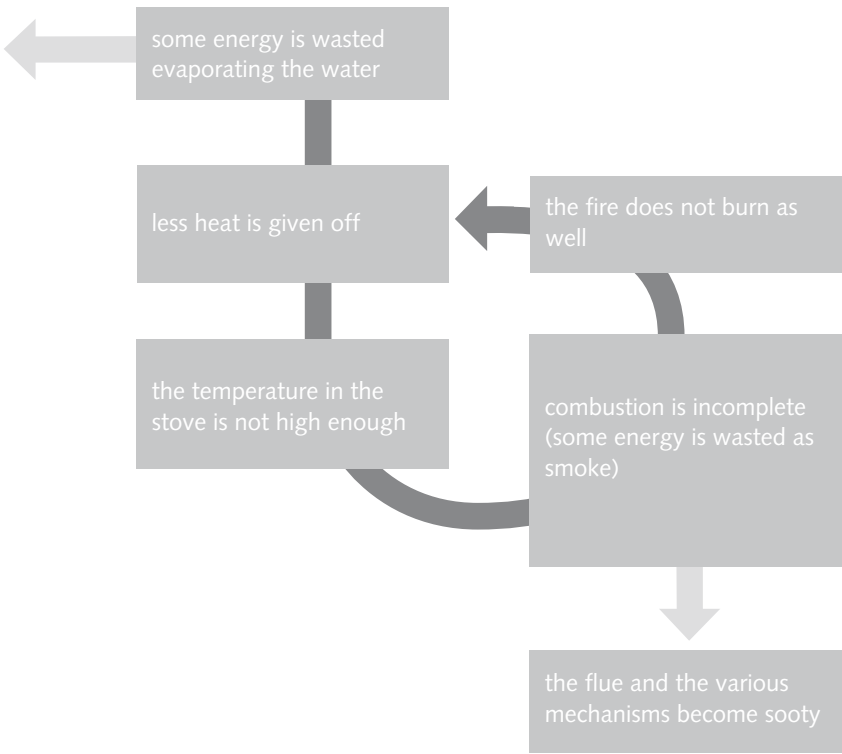
wood. For moisture meters, the electrode the electrodes must be pushed into the wood perpendicular to the grain of the wood.

If the log's moisture content is too high...

The table below gives the calorific value (CV) of a 1-kg log according to its moisture content.

Moisture content	CV
10%	16393
15%	15344
20%	14296
25%	13248
30%	12199
35%	11151

This table shows that by burning logs with a moisture content of 30% rather than logs with a moisture content of 10%, there is a 25% energy loss, in other words, the energy of one in four logs is lost!



The vicious circle above illustrates the negative impact of a stove fuelled with wood that is too wet. By burning logs with a moisture content of 30% rather than logs with a moisture content of 10%, 25% of the log's energy is lost and an additional 25% is lost due to the poor operation of the stove.

Recommendations

Important!

This stove should have been installed in accordance with good practice guidelines and local and national regulations. A qualified professional should have ensured that the characteristics of the smoke flue and the surroundings are suitable for the stove installed.

Read this user guide carefully and follow the maintenance recommendations.

Complete and return the guarantee certificate (at the end of this document) to us.

Use

The stoves in the Stûv 6 range are designed to operate with the door closed.

The stove should be used in accordance with local and national regulations and European standards. Some authorities impose or restrict the conditions of use depending on the fuel used. Please bear this in mind.

Some parts of the stove – the glass door and the outside walls – may become very hot even during normal usage (rated power) and significant heat may be radiated from the glass door.

If provision is made for removable protection for the floor covering, it must be in place each time the stove is used.

In order to prevent any damage or risk of fire, when the stove is in use, remove all heat-sensitive objects from the radiation area [diagram 1]. Take particular care when you leave the room.

Do not leave young children without supervision in the room where the stove is installed.

Ensure the air inlets and outlets are always kept clear.

Repairs / Maintenance

Any modification carried out to the system may cause danger and will invalidate your guarantee. Only use Stûv spare parts in the case of repairs.

Should a fire in the flue get out of control

Do not open the stove's door during the initial period.

Close the air valve completely using the cold grip [photo 2].

Call the fire brigade.

If the fire has not died down after a few minutes, use a dry powder, soda acid or sand extinguisher (never water).

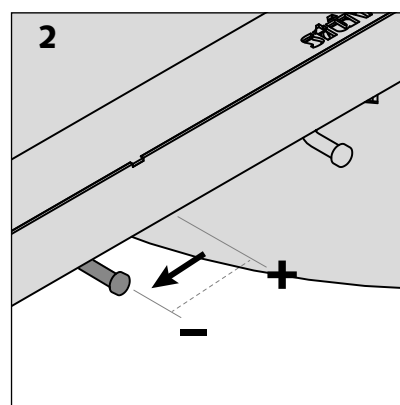
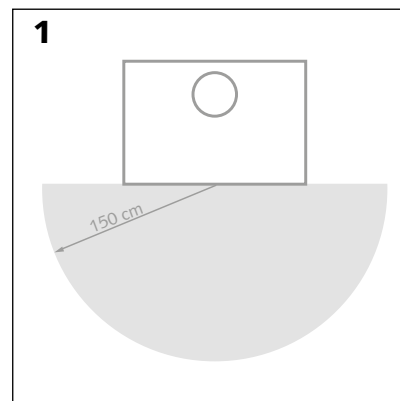
After a chimney fire, ventilate the room where the stove is situated.

Have the chimney cleaned and inspected by a professional. Have repairs carried out if necessary.

Preventing the risk of explosion

Poor draught increases the risk of explosion. A weak draught may be caused by a poor chimney, unfavourable weather, another operational ventilation system creating a backdraught, etc.

- Never close the damper completely when the stove is full of high flames.
- Never close the damper after placing a large block of wood on a bed of dying embers.



Basic usage

The stoves in the Stûv 6 range are only designed for use with the door closed.

Open the door

Pull on the handle [Diagram 1] to open the door [Diagram 2].

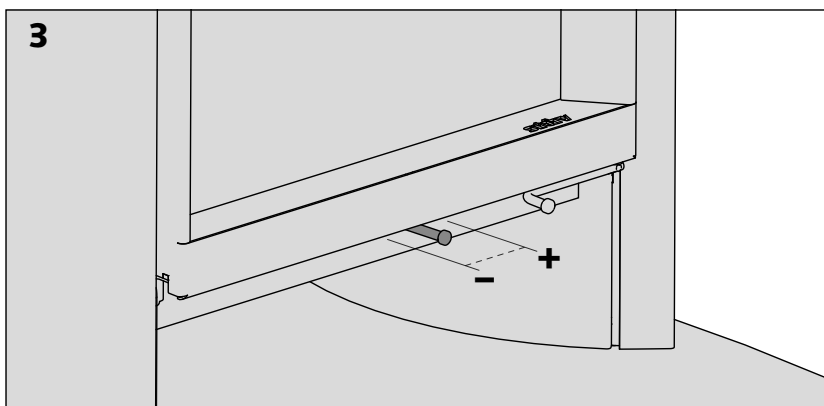
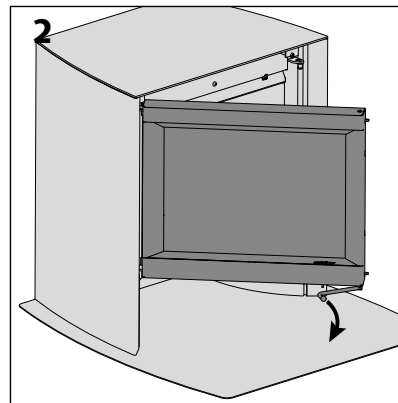
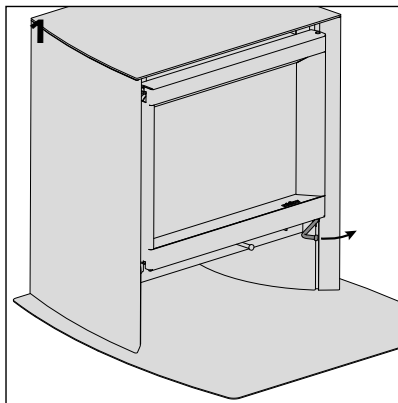
Pace adjustment register.

Slide the damper control from left to right to adjust the pace of the fire [diagram 3].

If your fireplace is equipped with a fan ...

The one is equipped with a thermal switch. This device prevents the blower from operating if the fireplace is not hot enough (to avoid uncomfortable cold drafts) and ensures hot air is stirred when the appliance is running. The fan starts automatically when the fireplace warms up.

It is normal for the fan to not start immediately after ignition and stop after the fire has gone out.



Initial cautions

Before lighting the first fire in your new stove, ensure no items used in installation (spray paint, tube of grease, tools) have been left in the combustion chamber or in the bends.

The paint is not oven-baked; it is thus relatively fragile but will harden when heated for the first few times.

Consequently, take care when handling the appliance.

When lighting the fire for the first few times, some smoke or unpleasant odours may be released from the paint, the steel's protective oil or the drying of the bricks. We recommend that you keep your first fire burning

strongly for several hours with the windows open. The paint will harden and the odours will disappear.

The paint of some components inside the combustion chamber will be replaced by a layer of carbon.

Before lighting

After a period of inactivity, check that there are no obstructions in the system, its ducts or the air inlets and outlets or any mechanical blockages.

Your Stûv requires air

Your Stûv needs air for combustion. Ideally, your installation engineer will have fitted your stove with a duct that draws the air required for combustion directly from outside.

If an valve has been installed, open this outside air inlet.

If no direct outside connection has been made, provide a sufficient outside air inlet (with a 100 mm Ø or a 50 cm² area). This air duct must comply with all applicable local and national regulations.

Always keep this air inlet clear.

Please note that the operation of your stove may be affected (risk of draught-back) if other air consuming systems are installed in the same room (air extractor, kitchen hood, air conditioning system). Create additional air inlets in the room based on their consumption.

Principle

Start the fire rather briskly to heat up the fireplace and create a good draught.

When the fire is lit, the flue is filled with cold air (heavier than the smoke).

If the fire does not start vigorously enough, the smoke will not get past this bottleneck and the stove will produce a draught-back.

So be generous with the kindling! [photo 1]

The upside-down fire!

To light the stove, Stûv recommends the upside-down fire technique, which is more environmentally friendly and subsequently results in better combustion.

This technique involves placing a bed of logs in the bottom of the stove and lighting the fire on top of them.

The benefits:

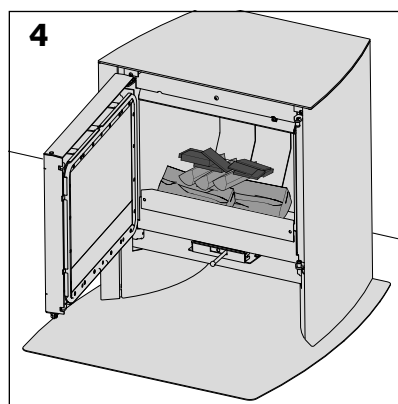
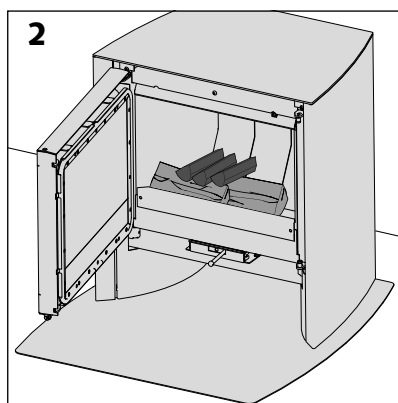
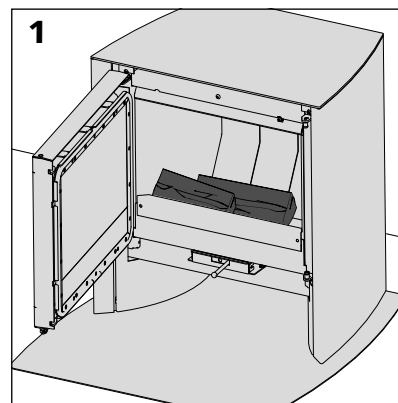
- By placing the logs underneath, you will considerably reduce the amount of smoke generated on lighting the fire, while gradually increasing the temperature.
- Once the logs underneath have caught fire, the gases they release must pass through the flames. These gases rise in temperature and are almost entirely burnt off. The result is less CO and less particulates!
- Using this method, you no longer need to wait for the kindling to be blazing before adding the logs and there is no longer any risk of these collapsing during combustion.
- What's more, you improve the stove's efficiency with more complete combustion.

Please note

Place a few logs with a maximum diameter of 10 cm in the floor (bottom) of the stove [photo 1].

Then lay a second layer of small, bark-free logs perpendicular to the bottom layer [photo 2].

Cover with kindling (approximately 1 kg) [photos 3 & 4].



Lighting the fire (continuation)

Place an eco-friendly firelighter in the kindling [photo 5].

Open the air damper fully [photo 6].

Light.

Leave the door open slightly for 10 to 20 minutes to encourage the draw of air until the fire has taken and then close the door.

Leaving the door open slightly allows the fire to be fed directly with air without going through the normal circuit (valve).

The start phase is complete when the combustion chamber is "clean" (light colour). You can then choose another mode of operation if you wish.

After three-quarters to one hour, select the burn rate desired using the air intake damper.

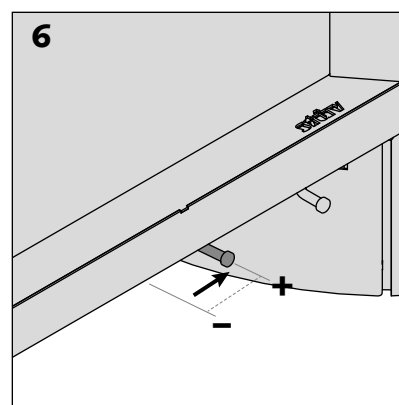
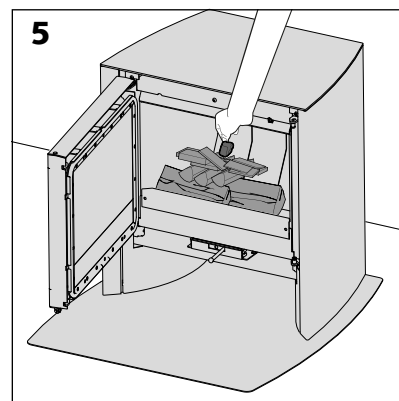
Note

In certain atmospheric conditions (if the temperature outside is higher than inside), the operation of the flue can be hindered.

Therefore use more paper and kindling wood to heat up the flue and to re-establish the draught.

Combustion is not optimal below a certain rate, the waste is greater, the glass door gets dirty quickly and in some cases there is a risk of the fire going out.

If your stove is fitted with a fan and an electricity failure occurs, reduce the rate by turning the regulator lever to "slow fire down" to avoid overheating.



Maintaining the fire

Two factors determine the rate of the fire: the quantity of the wood burned and the quantity of the combustion air.

Use normal loads [see wood consumption per hour, page 5 of 7]. After a while, you will find the ideal setting depending on the characteristics of the flue, the room to be heated and your personal preferences.

The weight of the wood is a determining factor as well as the size of the logs: two small logs will burn more quickly than a large one of the same weight because the surface area of the wood exposed to the flame is greater.

Setting combustion

The regulator lever of your Stûv 6 allows you to control the quantity of air that feeds combustion.

When and how to reload the stove?

Before reloading, half open the door several centimetres for a few seconds to allow time for the smoke to disperse before opening completely.

The best time to reload is when the logs are only producing small flames sitting on a large bed of embers.

For the new logs to catch alight, they must be heated until they reach their ignition temperature. It is the heat given off by the bed of embers that heats the new load. If you are too late in reloading, the bed of embers will not be able to heat a full load quickly enough. In this case you will have to use a partial load.

A large load on a dying bed of embers will lead to:

- the glass door, the stove and the flue becoming dirty,
- greater pollution.

After reloading, it is advisable to open the valve for a few minutes using the cold grip.

Note

To avoid overheating, do not exceed the maximum hourly consumption [see page 5].

Use wood that is dry. This will help keep the glass door clean. It is wasteful to burn wood with more than 16% humidity!

Avoid resting logs against the glass door as this leaves a mark.

Putting out the fire

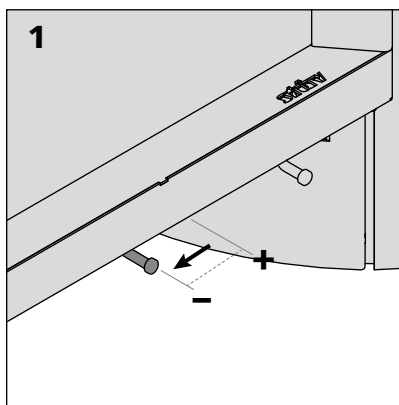
Do not put any more fuel onto the fire.

Reduce the air intake [fig. 1].

Check that the stove is properly closed.

Let the fire die down.

When the fire is out, close the outside air inlet. This will prevent your house from becoming cold.



Between two fires

Between two fires, closing the outside air inlet and the air intake, it will avoid to cool your house.

In the off-season or for a long period of inactivity, leave the door open to ventilate the interior of your stove and prevent oxidation.

MAINTENANCE

Regular maintenance

Be careful!

Wait until the stove has cooled down completely before carrying out maintenance.

Maintenance of the metal components

Use a dry cloth for cleaning.

Please note

Clean with a dry rag. A paint spray supplied with the stove means you can retouch the paintwork if necessary. When you do this, start on a test surface to avoid spraying solvent on the old paintwork. The surface to be repainted must be smooth, clean, dry and free from grease. Please also read the instructions on the paint spray.

Cleaning the glass

The use of oven cleaning products will cause rapid destruction of the seals. Use cleaning products intended for ordinary glass to clean the inside of the glass door.

Dry the pane thoroughly as smoke settles on greasy residue.

Stûv supplies a product suitable for cleaning very dirty stoves (Is your wood dry enough?). Ask your distributor for advice.

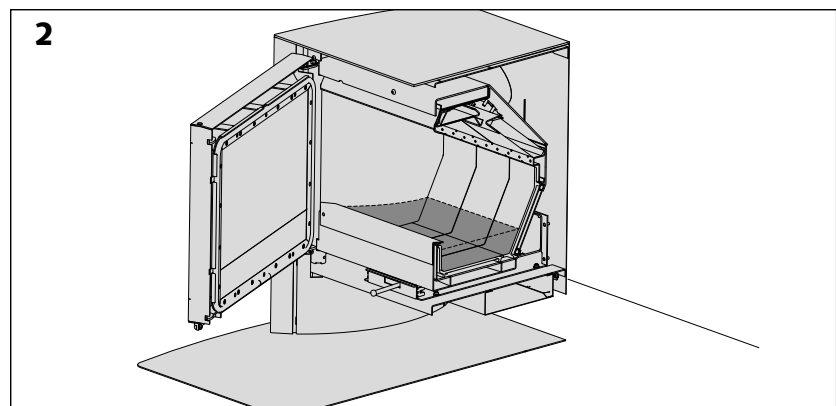
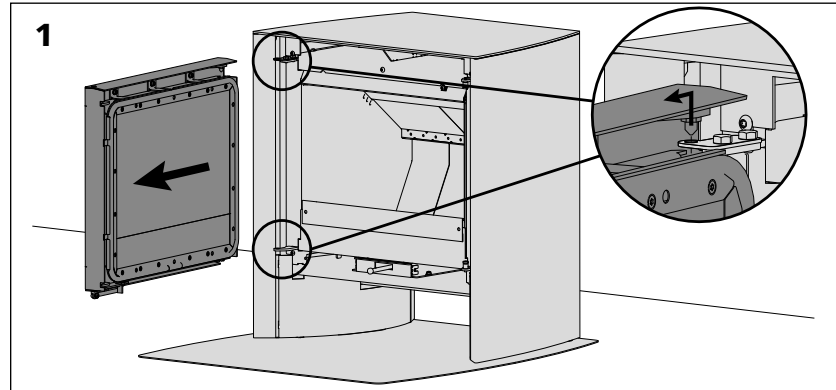
If the glass door is very dirty it can easily be taken off for cleaning. Undo the catch [fig. 1], lift the door to take it off its hinges.

Removal of ashes

Leave a bed of ashes at the bottom of the stove as this encourages combustion and still contains some fuel.

Ashes must be removed when there is a risk of obstructing the fire's supply of fresh air [fig. 1].

Wait until the ashes have cooled (use a shovel or special vacuum cleaner for ashes) and put them outside in a



metal bucket until they have cooled completely.

Quick maintenance of the flue

Stûv recommends the use of a product that decomposes soot after every 15 times of use, in particular if you are burning wood that is not particularly dry. Please refer to the instructions for use of the product. Use a product that is compatible with the type of flue.

Be careful!

Wait until the stove has cooled down completely before carrying out maintenance.

Do not forget to have your chimney swept once a year (see the following section).

Check the condition of the seals

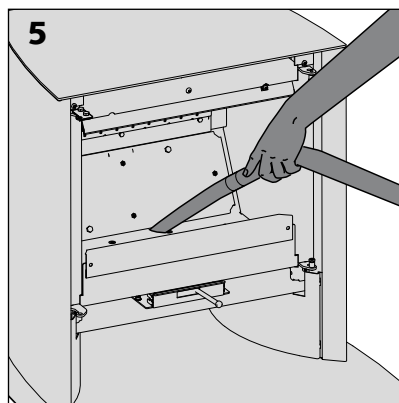
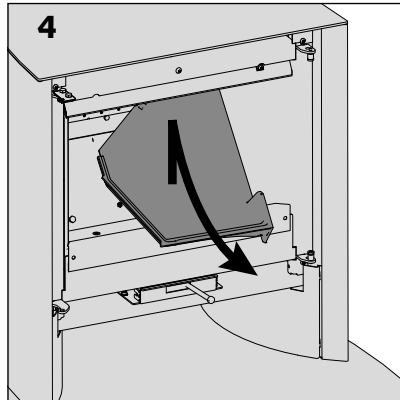
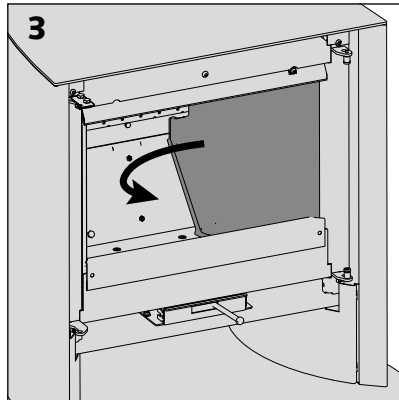
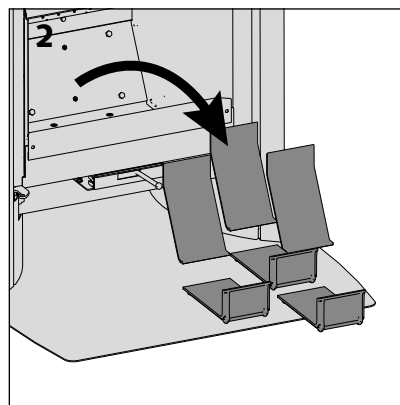
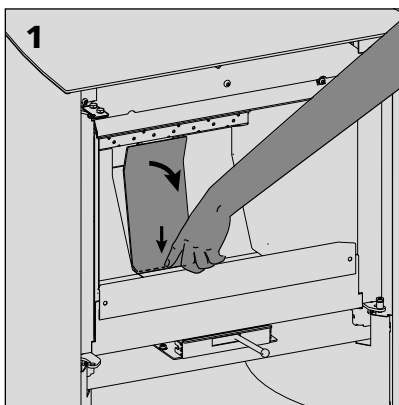
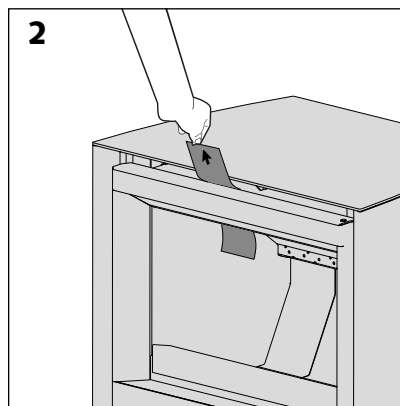
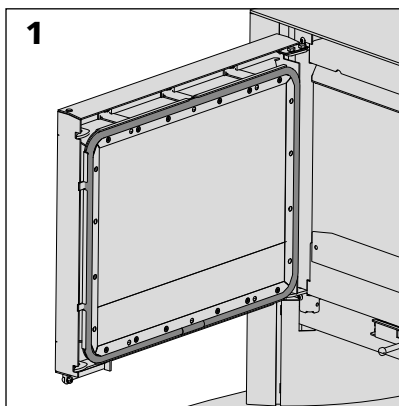
Check by taking a look.

Even if they appear to be in good condition, the seals may be loose and no longer ensure smoke-proofing; to check, wedge a piece of paper several cm in width into the door [photo 4]; it should remain jammed in the door. Repeat this along the length of the door.

If the paper does not remain jammed, replace the seal.

Cleaning and disassembly of the combustion chamber

Remove the door (see previous page) and remove the cast iron lining elements from the combustion chamber and vacuum up the bottom of the firebox [diagram 1-5].



Chimney-sweeping

Do the sweeping at least once a year in accordance with local and national regulations in force, **ideally during the annual maintenance**.

Pass on this information to the chimney sweep.

Before carrying out the actual sweeping, Stûv recommends the use of a dose of a fulgent [see "Quick maintenance of the flue" item in the previous section].

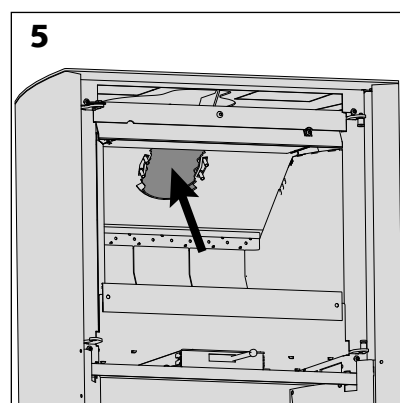
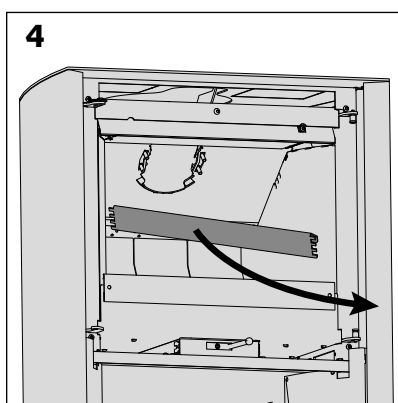
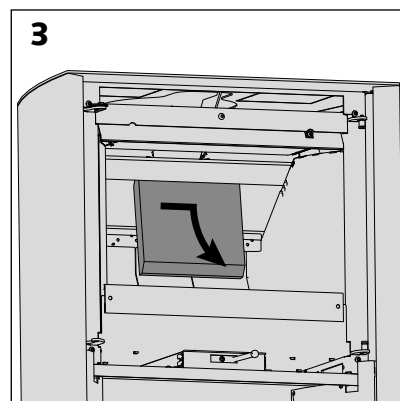
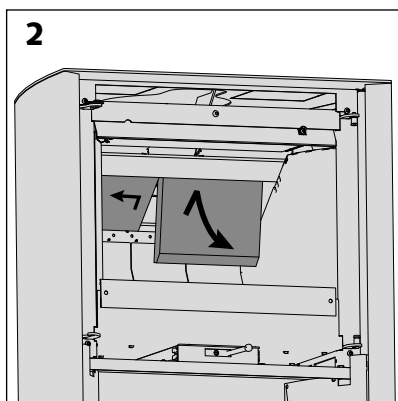
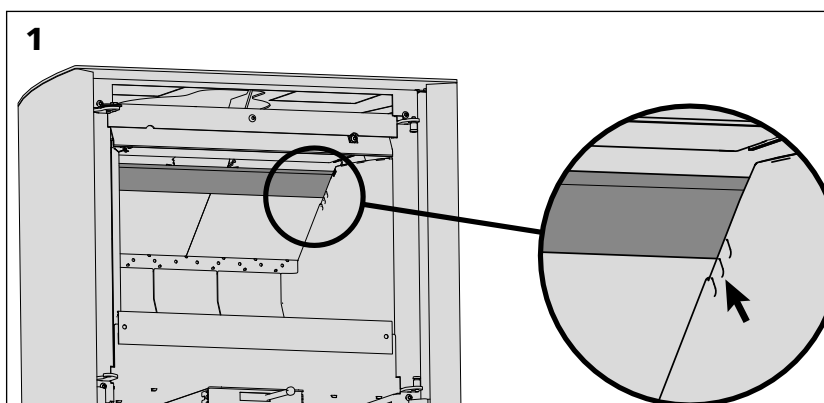
Consult the instructions on the product for use. Use a product suitable for the type of chimney flue.

Dismantling the smoke deflectors

Begin by memorizing the positioning of the deviator support [fig. 1].

Disassemble the vermiculite diverters and the diverter bracket to access the flue [Fig. 2-5].

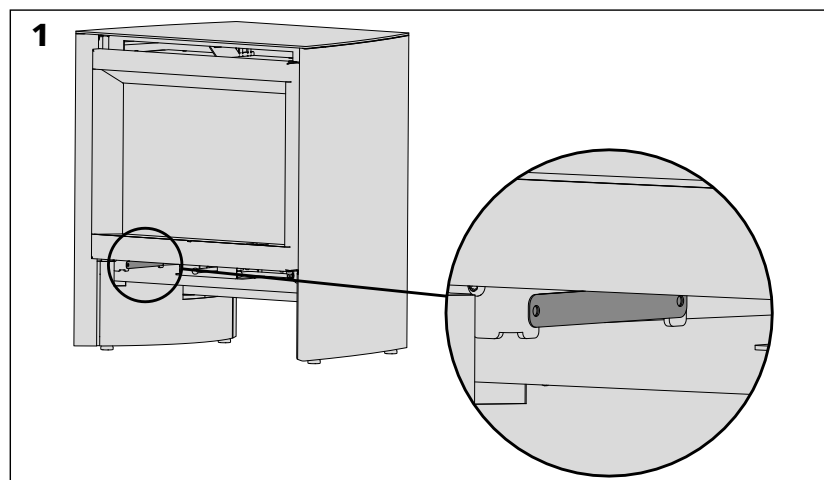
Carry out the chimney sweeping in accordance with the regulations in your country.



In case of problems...

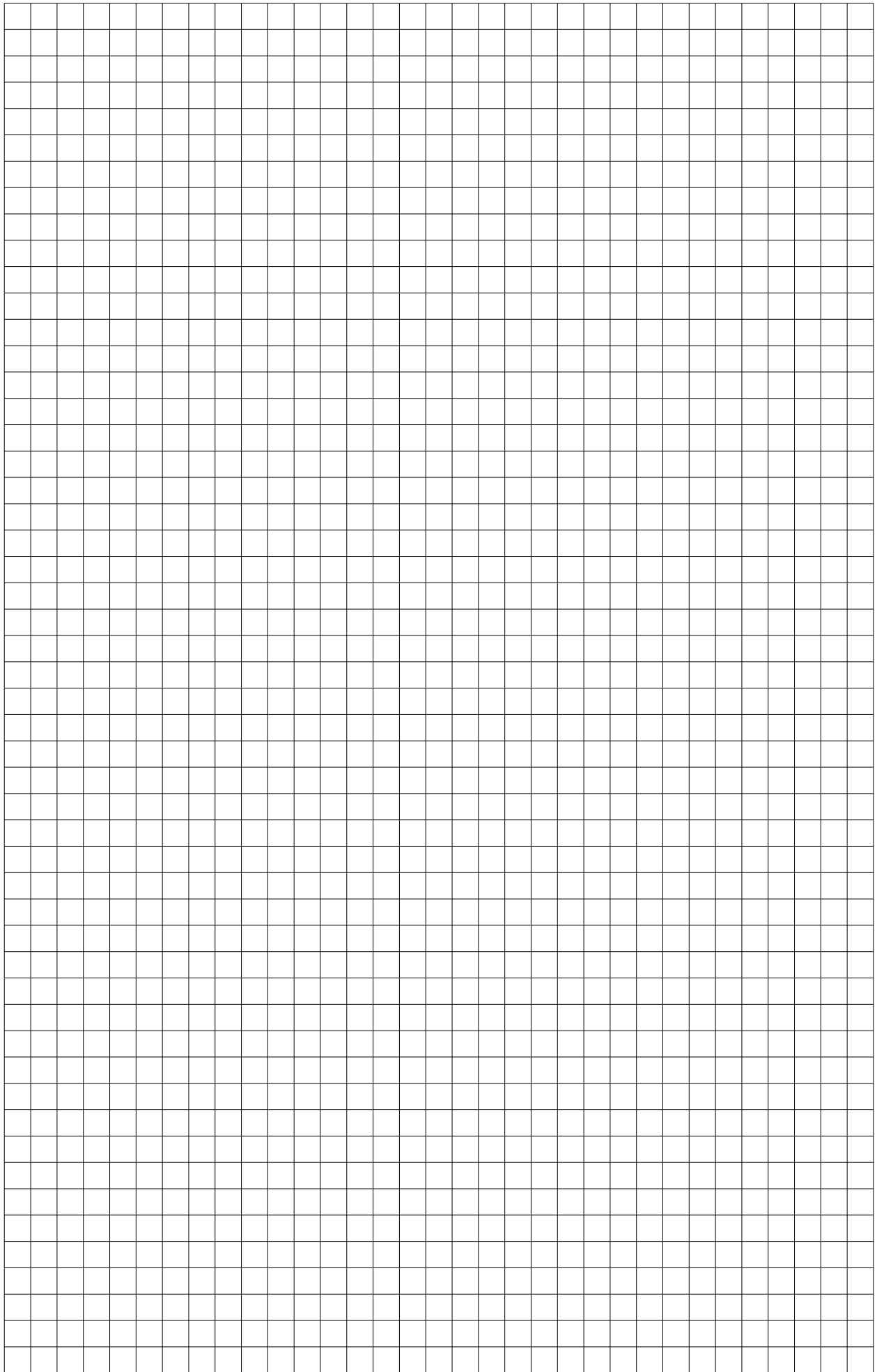
Broken or cracked glass, a worn seal, a fault in the lining of the combustion chamber...

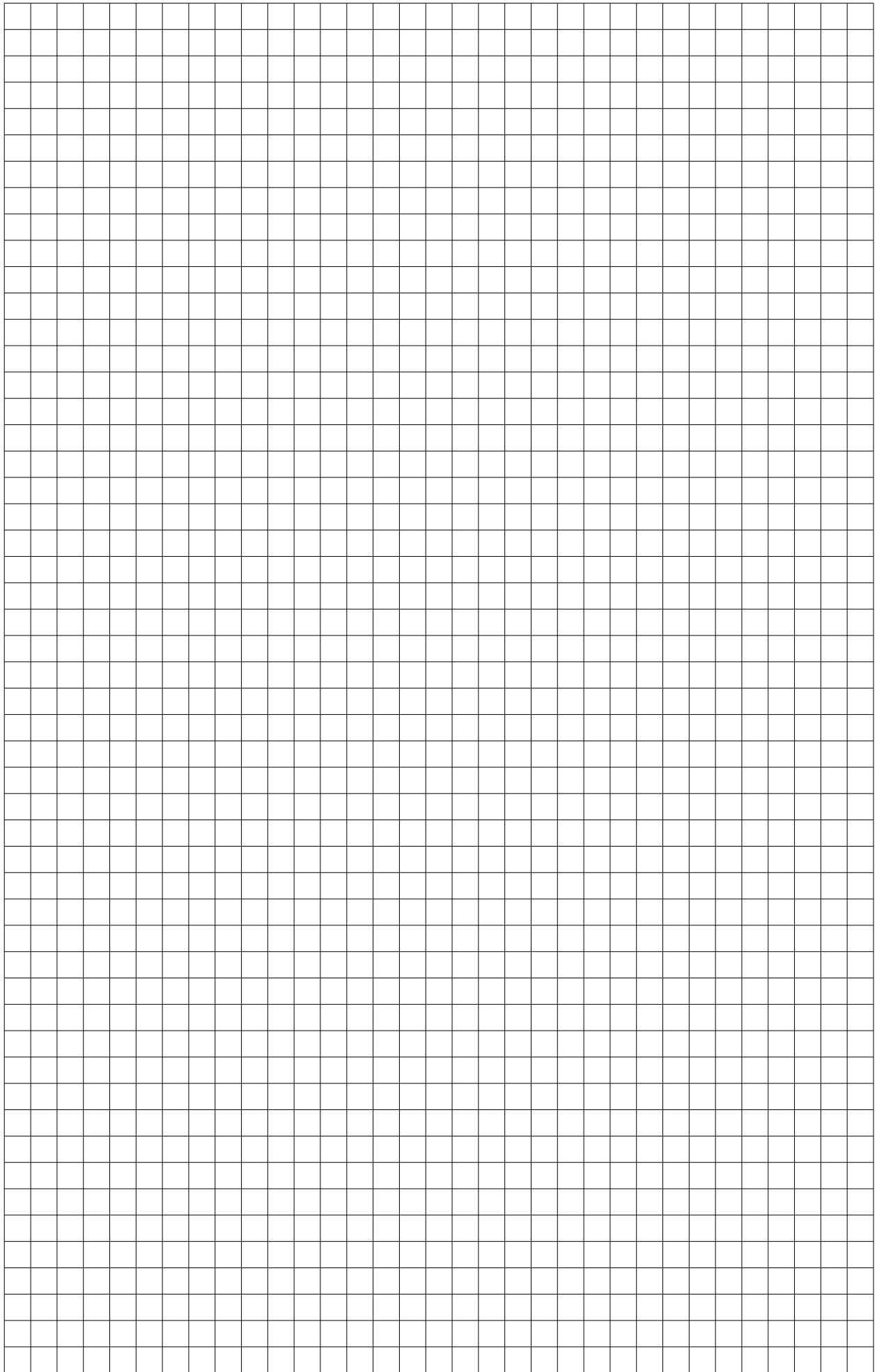
Contact your installation engineer with your serial number!



Annual maintenance

Date	Checking of the seals	Maintenance of the fan	Chimney-sweeping	Engineer	Notes
.....	<input type="checkbox"/>	<input type="checkbox"/>	<input type="checkbox"/>
.....	<input type="checkbox"/>	<input type="checkbox"/>	<input type="checkbox"/>
.....	<input type="checkbox"/>	<input type="checkbox"/>	<input type="checkbox"/>
.....	<input type="checkbox"/>	<input type="checkbox"/>	<input type="checkbox"/>
.....	<input type="checkbox"/>	<input type="checkbox"/>	<input type="checkbox"/>
.....	<input type="checkbox"/>	<input type="checkbox"/>	<input type="checkbox"/>
.....	<input type="checkbox"/>	<input type="checkbox"/>	<input type="checkbox"/>
.....	<input type="checkbox"/>	<input type="checkbox"/>	<input type="checkbox"/>
.....	<input type="checkbox"/>	<input type="checkbox"/>	<input type="checkbox"/>
.....	<input type="checkbox"/>	<input type="checkbox"/>	<input type="checkbox"/>
.....	<input type="checkbox"/>	<input type="checkbox"/>	<input type="checkbox"/>
.....	<input type="checkbox"/>	<input type="checkbox"/>	<input type="checkbox"/>
.....	<input type="checkbox"/>	<input type="checkbox"/>	<input type="checkbox"/>
.....	<input type="checkbox"/>	<input type="checkbox"/>	<input type="checkbox"/>
.....	<input type="checkbox"/>	<input type="checkbox"/>	<input type="checkbox"/>
.....	<input type="checkbox"/>	<input type="checkbox"/>	<input type="checkbox"/>
.....	<input type="checkbox"/>	<input type="checkbox"/>	<input type="checkbox"/>
.....	<input type="checkbox"/>	<input type="checkbox"/>	<input type="checkbox"/>
.....	<input type="checkbox"/>	<input type="checkbox"/>	<input type="checkbox"/>
.....	<input type="checkbox"/>	<input type="checkbox"/>	<input type="checkbox"/>
.....	<input type="checkbox"/>	<input type="checkbox"/>	<input type="checkbox"/>
.....	<input type="checkbox"/>	<input type="checkbox"/>	<input type="checkbox"/>
.....	<input type="checkbox"/>	<input type="checkbox"/>	<input type="checkbox"/>
.....	<input type="checkbox"/>	<input type="checkbox"/>	<input type="checkbox"/>
.....	<input type="checkbox"/>	<input type="checkbox"/>	<input type="checkbox"/>
.....	<input type="checkbox"/>	<input type="checkbox"/>	<input type="checkbox"/>
.....	<input type="checkbox"/>	<input type="checkbox"/>	<input type="checkbox"/>
.....	<input type="checkbox"/>	<input type="checkbox"/>	<input type="checkbox"/>
.....	<input type="checkbox"/>	<input type="checkbox"/>	<input type="checkbox"/>
.....	<input type="checkbox"/>	<input type="checkbox"/>	<input type="checkbox"/>
.....	<input type="checkbox"/>	<input type="checkbox"/>	<input type="checkbox"/>
.....	<input type="checkbox"/>	<input type="checkbox"/>	<input type="checkbox"/>
.....	<input type="checkbox"/>	<input type="checkbox"/>	<input type="checkbox"/>
.....	<input type="checkbox"/>	<input type="checkbox"/>	<input type="checkbox"/>





THE EXTENSION OF THE STÛV GUARANTEE: A SIMPLE PROCEDURE FOR MORE PEACE OF MIND.

This stove has been designed to give you maximum comfort, output and safety. Every care has been taken during the manufacturing process, using quality materials and components so that you can enjoy it for many years to come.

If, despite our best efforts, a fault should occur, we undertake to resolve it.

If you complete the guarantee form within 30 days, Stûv will offer you an extension to the statutory warranty.

Stûv extended warranty

Stûv's extended warranty affects any user of a Stûv appliance (end purchaser). It takes effect on the date of the original sales invoice from the seller to the buyer for new stoves (which have not been subject to being exhibited or used). For second-hand stoves, it will run from the date of the original Stûv sales invoice to the seller.

Duration of the guarantee

The statutory warranty on the components covered is 2 years.

The extended warranty period is

5 years on the body of the stove

3 years on the electrical and electronic components (fan, thermostat, switch, wiring, etc.)

3 years on other components (base grate, door mechanism, hinges, runners,...)

The right to benefit from extension of the guarantee is subject to adherence to the applicable conditions and the accuracy of the information provided to Stûv.

Extended warranty application conditions



1. Have purchased the stove from one of our official resellers. A list of these is available on our website www.stuv.com



2. Complete the online form on <http://tech.stuv.com/en/wood/warranty/the-stuv-commercial-warranty.html> within 30 days of the date of the invoice for the balance.



Only duly completed forms will be valid.



You will then receive your Stûv warranty certificate, by email, to the address indicated. Keep this document in a safe place. In the event of a problem with your stove, please contact your dealer. You should show them this certificate for the commercial warranty to be effective.



Stûv stoves are guaranteed against:

- manufacturing faults,
- faults with the paintwork on the visible external parts of the stove



The statutory warranty and extended warranty do not cover:

- the components subject to wear and tear (e.g. ash removal grille, vermiculite, seals, flame modeller, control key) which have to be replaced from time to time in normal usage,
- the glass,
- damage caused to the stove or operational faults due to:
 - > installation which does not comply with good practice guidelines and the installation instructions and with national and regional regulations in force,
 - > abnormal usage which does not comply with the directions for use instructions,
 - > a lack of maintenance,
 - > external factors, such as flooding, lightning, fire...
 - > local conditions such as draught problems or faults caused by defective ducts.
- damage caused by:
 - > faulty installation,
 - > overheating,
 - > the use of inappropriate fuel.

The guarantee is restricted to the exchange of components recognized as defective excluding replacement, compensation and interest costs. The replacement components supplied under the guarantee are guaranteed for the remainder of the guarantee period.

* extension of the legal guarantee (of 2 years) to 5/3/3 years subject to adherence to the applicable conditions (see box)



Koninkrijk België

FOD Volksgezondheid, Veiligheid van de Voedselketen en Leefmilieu,
 Directoraat-generaal Leefmilieu

KB 12 oktober 2010 tot regeling van de minimale eisen van rendement en emissieniveaus
 van verontreinigende stoffen voor verwarmingsapparaten voor vaste brandstoffen


Fabrikant:	
Naam van de fabrikant	Stûv SA
Adres van de fabrikant	Rue Jules Borbouse 4 B5170 Bois-de-Villers BELGIUM

Product(en):	
Soort brandstof	Renewable – Solid Fuel
Soort product	Solid fuel-fired inset appliance NBN EN 13229
Vermogen	4 - 7 KW
Model	Stûv 6 46-55
Type	Stûv 6 46-55
EC-nummer	QA191322924

Emissieniveaus:		
EFF	%	
CO Non Continuous	.08 % or mg/Nm ³ or gr/Nm ³	NBN EN 13229
PM Non Continuous	21 % or mg/Nm ³ or gr/Nm ³	NBN EN 13229
EFF Non Continuous	83 %	NBN EN 13229

Bijkomende gegevens:	
Naam van de erkende instantie	SGS Nederland bv NB-0608
Rapportnummer	EZKA/2019-04/00010-3
Coördinaten van de persoon die ertoe gemachtigd is om de verklaring te ondertekenen	Thomas Duquesne
Plaats en datum van de verklaring	09-07-2019 B5170 Bois-de-Villers
Milieu-informatie betreffende de aanbevolen vaste brandstoffen	Droog brandhout (< 20% vochtigheid) : es, beuk, eik, haagbeuk
Milieu-informatie betreffende de af te raden vaste brandstoffen	Brandhout naaldhout hout uit de bouw, behandeld, geschilderd ... Houtkorrel Houtkorrel behandeld, uit de bouw, geschilderd...

Met deze verklaren we dat de reeks toestellen hierna vermeld, in overeenstemming is met het type-model beschreven in de EG verklaring van overeenstemming, en dat ze geproduceerd en verdeeld wordt volgens de eisen van het koninklijk besluit van 12 oktober 2010 tot regeling van de minimale eisen van rendement en emissieniveaus van verontreinigende stoffen voor verwarmingsapparaten voor vaste brandstoffen.

	 Thomas Duquesne
--	--

Afdrukdatum: 18-07-2019



Koninkrijk België

FOD Volksgezondheid, Veiligheid van de Voedselketen en Leefmilieu,
Directoraat-generaal Leefmilieu
KB 12 oktober 2010 tot regeling van de minimale eisen van rendement en emissieniveaus
van verontreinigende stoffen voor verwarmingsapparaten voor vaste brandstoffen

Fabrikant:	
Naam van de fabrikant	Stûv SA
Adres van de fabrikant	Rue Jules Borbouse 4 B5170 Bois-de-Villers BELGIUM

Product(en):	
Soort brandstof	Renewable – Solid Fuel
Soort product	Solid fuel-fired inset appliance NBN EN 13229
Vermogen	5 - 9 KW
Model	Stûv 6 66-50
Type	Stûv 6 66-50
EC-nummer	QA191322925

Emissieniveaus:		
EFF	%	
CO Non Continuous	.07 % or mg/Nm ³ or gr/Nm ³	NBN EN 13229
PM Non Continuous	30 % or mg/Nm ³ or gr/Nm ³	NBN EN 13229
EFF Non Continuous	77 %	NBN EN 13229

Bijkomende gegevens:	
Naam van de erkende instantie	SGS Nederland bv NB-0608
Rapportnummer	EZKA/2019-04/00010-1 & EZ
Coördinaten van de persoon die ertoe gemachtigd is om de verklaring te ondertekenen	Thomas Duquesne
Plaats en datum van de verklaring	09-07-2019 B5170 Bois-de-Villers
Milieu-informatie betreffende de aanbevolen vaste brandstoffen	Droog brandhout (< 20% vochtigheid) : es, beuk, eik, haagbeuk
Milieu-informatie betreffende de af te raden vaste brandstoffen	Brandhout naaldhout hout uit de bouw, behandeld, geschilderd ... Houtkorrel Houtkorrel behandeld, uit de bouw, geschilderd...

Met deze verklaren we dat de reeks toestellen hierna vermeld, in overeenstemming is met het type-model beschreven in de EG verklaring van overeenstemming, en dat ze geproduceerd en verdeeld wordt volgens de eisen van het koninklijk besluit van 12 oktober 2010 tot regeling van de minimale eisen van rendement en emissieniveaus van verontreinigende stoffen voor verwarmingsapparaten voor vaste brandstoffen.

	 Thomas Duquesne
--	--

Afdrukdatum: 18-07-2019

SPF CERTIFICATION FOR BELGIUM



Koninkrijk België

FOD Volksgezondheid, Veiligheid van de Voedselketen en Leefmilieu,
 Directoraat-generaal Leefmilieu

KB 12 oktober 2010 tot regeling van de minimale eisen van rendement en emissieniveaus van verontreinigende stoffen voor verwarmingsapparaten voor vaste brandstoffen

Fabrikant:	
Naam van de fabrikant	Stûv SA
Adres van de fabrikant	Rue Jules Borbouse 4 B5170 Bois-de-Villers BELGIUM

Product(en):	
Soort brandstof	Renewable – Solid Fuel
Soort product	Solid fuel-fired inset appliance NBN EN 13229
Vermogen	4 - 7 KW
Model	Stûv 6 46-55
Type	Stûv 6 46-55
EC-nummer	QA191322924

Emissieniveaus:		
EFF	%	
CO Non Continuous	.08 % or mg/Nm ³ or gr/Nm ³	NBN EN 13229
PM Non Continuous	21 % or mg/Nm ³ or gr/Nm ³	NBN EN 13229
EFF Non Continuous	83 %	NBN EN 13229

Bijkomende gegevens:	
Naam van de erkende instantie	SGS Nederland bv NB-0608
Rapportnummer	EZKA/2019-04/00010-3
Coördinaten van de persoon die ertoe gemachtigd is om de verklaring te ondertekenen	Thomas Duquesne
Plaats en datum van de verklaring	09-07-2019 B5170 Bois-de-Villers
Milieu-informatie betreffende de aanbevolen vaste brandstoffen	Droog brandhout (< 20% vochtigheid) : es, beuk, eik, haagbeuk
Milieu-informatie betreffende de af te raden vaste brandstoffen	Brandhout naaldhout hout uit de bouw, behandeld, geschilderd ... Houtkorrel Houtkorrel behandeld, uit de bouw, geschilderd...

Met deze verklaren we dat de reeks toestellen hierna vermeld, in overeenstemming is met het type-model beschreven in de EG verklaring van overeenstemming, en dat ze geproduceerd en verdeeld wordt volgens de eisen van het koninklijk besluit van 12 oktober 2010 tot regeling van de minimale eisen van rendement en emissieniveaus van verontreinigende stoffen voor verwarmingsapparaten voor vaste brandstoffen.

	<p>Thomas Duquesne</p>
--	-------------------------------

Afdrukdatum: 18-07-2019

PERFORMANCE DECLARATION (EU305/2011)

Stûv 6 56x50 H (UK)

Domestic heater using solid fuel without a hot water supply
complying with the EN 13240: 2001 / A2: 2004 standard
Recommended fuel: wooden logs only

Manufactured by:

Stûv s.a

Rue Jules Borbouse, 4 B-5170 Bois-de-Villers
Tel.: +32(0)81.43.47.96 – Fax: +32(0)81.43.48.74
info@stuv.com www.stuv.com

Approved certifying body:

0608 – SGS Nederland bv

Leemansweg 51 NL-6827 BX Amhem

System to assess and check the consistency of performance: 3

Test report number: EZKA/2020-01/00001-1&2

Document number: QA191322927-EN



European standards	EN 13240:2001/A2:2004/AC:2007	
Main features	Performance	
CO emissions	0,07 (0,08) %	
Smoke temperature at nominal power	254 (253) °C	
Heating power	Nominal:	5,9 (5,0) kW
	Distributed in the room:	5,9 (5,0) kW
	Distributed in water:	- kW
Output	79 %	
Maximum water pressure when operating	-	
Surface temperature	Pass	
Cleaning capacity	Pass	
Electrical safety	Pass	
Mechanical resistance (for the pipe to withstand)	NPD	
Fire safety		
Reaction to fire	A1	
Minimum distances in relation to combustible materials	Minimum distance to the rear	75 mm
	Minimum distance to the side	150 mm
	Minimum distance above	- mm
	Minimum distance to the front	1200 mm
	Minimum distance in relation to the floor	0 mm
Fire risk after the fall of burning fuel	Pass	

Bois-de-Villers, 2023

G rard Pitance

Chief Executive and Founder

Jean-Fran ois Sidler

Managing Director and Chief Executive

PERFORMANCE DECLARATION (EU305/2011)

Stûv 6 66x55 H

Domestic heater using solid fuel without a hot water supply
complying with the EN 13240: 2001 / A2: 2004 standard
Recommended fuel: wooden logs only

Manufactured by:

Stûv s.a

Rue Jules Borbouse, 4 B-5170 Bois-de-Villers
Tel.: +32(0)81.43.47.96 – Fax: +32(0)81.43.48.74
info@stuv.com www.stuv.com

Approved certifying body:

0608 – SGS Nederland bv
Leemansweg 51 NL-6827 BX Amhem

System to assess and check the consistency of performance: 3

Test report number: EZKA/2020-01/00001- 5&6

Document number: QA191322928-EN



European standards	EN 13240:2001/A2:2004/AC:2007	
Main features	Performance	
CO emissions	0,07 %	
Smoke temperature at nominal power	271 °C	
Heating power	Nominal:	7,6 kW
	Distributed in the room:	7,6 kW
	Distributed in water:	- kW
Output	79 %	
Maximum water pressure when operating	-	
Surface temperature	Pass	
Cleaning capacity	Pass	
Electrical safety	Pass	
Mechanical resistance (for the pipe to withstand)	NPD	
Fire safety		
Reaction to fire	A1	
Minimum distances in relation to combustible materials	Minimum distance to the rear	75 mm
	Minimum distance to the side	150 mm
	Minimum distance above	- mm
	Minimum distance to the front	1200 mm
	Minimum distance in relation to the floor	0 mm
Fire risk after the fall of burning fuel	Pass	

Bois-de-Villers, 2023

Gérard Pitance

Chief Executive and Founder

Jean-François Sidler

Managing Director and Chief Executive

PERFORMANCE DECLARATION (EU305/2011)

Stûv 6 76x60 H

Domestic heater using solid fuel without a hot water supply
complying with the EN 13240: 2001 / A2: 2004 standard
Recommended fuel: wooden logs only

Manufactured by:

Stûv s.a

Rue Jules Borbouse, 4 B-5170 Bois-de-Villers
Tel.: +32(0)81.43.47.96 – Fax: +32(0)81.43.48.74
info@stuv.com www.stuv.com

Approved certifying body:

0608 – SGS Nederland bv

Leemansweg 51 NL-6827 BX Amhem

System to assess and check the consistency of performance: 3

Test report number: EZKA/2020-01/00001-3

Document number: QA191322929-EN



European standards	EN 13240:2001/A2:2004/AC:2007	
Main features	Performance	
CO emissions	0,06 %	
Smoke temperature at nominal power	284 °C	
Heating power	Nominal:	9,3 kW
	Distributed in the room:	9,3 kW
	Distributed in water:	- kW
Output	79 %	
Maximum water pressure when operating	-	
Surface temperature	Pass	
Cleaning capacity	Pass	
Electrical safety	Pass	
Mechanical resistance (for the pipe to withstand)	NPD	
Fire safety		
Reaction to fire	A1	
Minimum distances in relation to combustible materials	Minimum distance to the rear	75 mm
	Minimum distance to the side	150 mm
	Minimum distance above	- mm
	Minimum distance to the front	1200 mm
	Minimum distance in relation to the floor	0 mm
Fire risk after the fall of burning fuel	Pass	

Bois-de-Villers, 2023

Gérard Pitance

Chief Executive and Founder

Jean-François Sidler

Managing Director and Chief Executive

PRODUCT DATAFICHE (EU2015/1186)

Product datasheet
EU 2015/1186



Product datasheet
EU 2015/1186



Stuv s.a

Rue Jules Borbouse, 4
B-5170 Bois-de-Villers
info@stuv.com - www.stuv.com

Stuv s.a

Rue Jules Borbouse, 4
B-5170 Bois-de-Villers
info@stuv.com - www.stuv.com

Model reference:
Stuv 6 56x50H

Model reference:
Stuv 6 56x50H (UK)

Energy efficiency rating	A
Direct thermal power	5,9 kW
Indirect thermal power	-
Energy efficiency index	106
Output at rated thermal input	79%
Output at minimum capacity	-
Special precautions that must be taken during assembly, installation or maintenance of the decentralised heating device:	
Consult the installation, usage and maintenance instructions	


Energy efficiency rating	A
Direct thermal power	5,0 kW
Indirect thermal power	-
Energy efficiency index	106
Output at rated thermal input	79%
Output at minimum capacity	-
Special precautions that must be taken during assembly, installation or maintenance of the decentralised heating device:	
Consult the installation, usage and maintenance instructions	

Product datasheet
EU 2015/1186



Stuv s.a
Rue Jules Borbouse, 4
B-5170 Bois-de-Villers
info@stuv.com - www.stuv.com

Model reference:
Stuv 6 66x55H

Energy efficiency rating	
Direct thermal power	7,6 kW
Indirect thermal power	-
Energy efficiency index	105
Output at rated thermal input	79%
Output at minimum capacity	-
Special precautions that must be taken during assembly, installation or maintenance of the decentralised heating device:	
Consult the installation, usage and maintenance instructions	

Product datasheet
EU 2015/1186




Stuv s.a

Rue Jules Borbouse, 4
B-5170 Bois-de-Villers
info@stuv.com - www.stuv.com

Model reference:

Stuv 6 76x60H

Energy efficiency rating	
Direct thermal power	9,3 kW
Indirect thermal power	-
Energy efficiency index	105
Output at rated thermal input	79%
Output at minimum capacity	-
<p>Special precautions that must be taken during assembly, installation or maintenance of the decentralised heating device:</p> <p>Consult the installation, usage and maintenance instructions</p>	

CONTACTS

Stûv stoves are designed and manufactured in Belgium by:

Stûv sa
rue Jules Borbouse 4
B-5170 Bois-de-Villers (Belgium)
info@stuv.com – www.stuv.com

Reseller's stamp and details:



Importer for Finland

Ilkka Alatarvas OY
Pikkujärventie 4B
01680 Vantaa
T 400 872 858
www.takkamaailma.com

Importer for Sweden

Eldoform Sverige AB
Slipgatan 2 – 117 39 Stockholm
T 0707 883 53 – www.eldoform.se

Importer for Denmark

Stove APS
Aldershvilevej 84 – 2880 Bagsvaerd
T 51 33 10 93

Importer for Estonia

Tulering Kaminasalong Oü
Sopruse 145 – 13417 Tallinn
T +372 56 249 004 - www.tulering.ee

Instructions for use [en] Stûv 6-H

11/2023 SN 5650: 209427 -...
SN 6655: 209576 -...
SN 7660: 209726 -...

Stûv reserves the right to make changes without prior notice.
These instructions have been produced with the greatest of care. However, we do not
accept responsibility for any errors that may have been made.
Editor: Gérard Pitance – rue Jules Borbouse 4 – 5170 Bois-de-Villers – Belgium

[nl] [de] [it] [es] [pt] [cz] [en] [fr] >
This document is available in several languages:
Contact your distributor or visit www.stuv.com
