

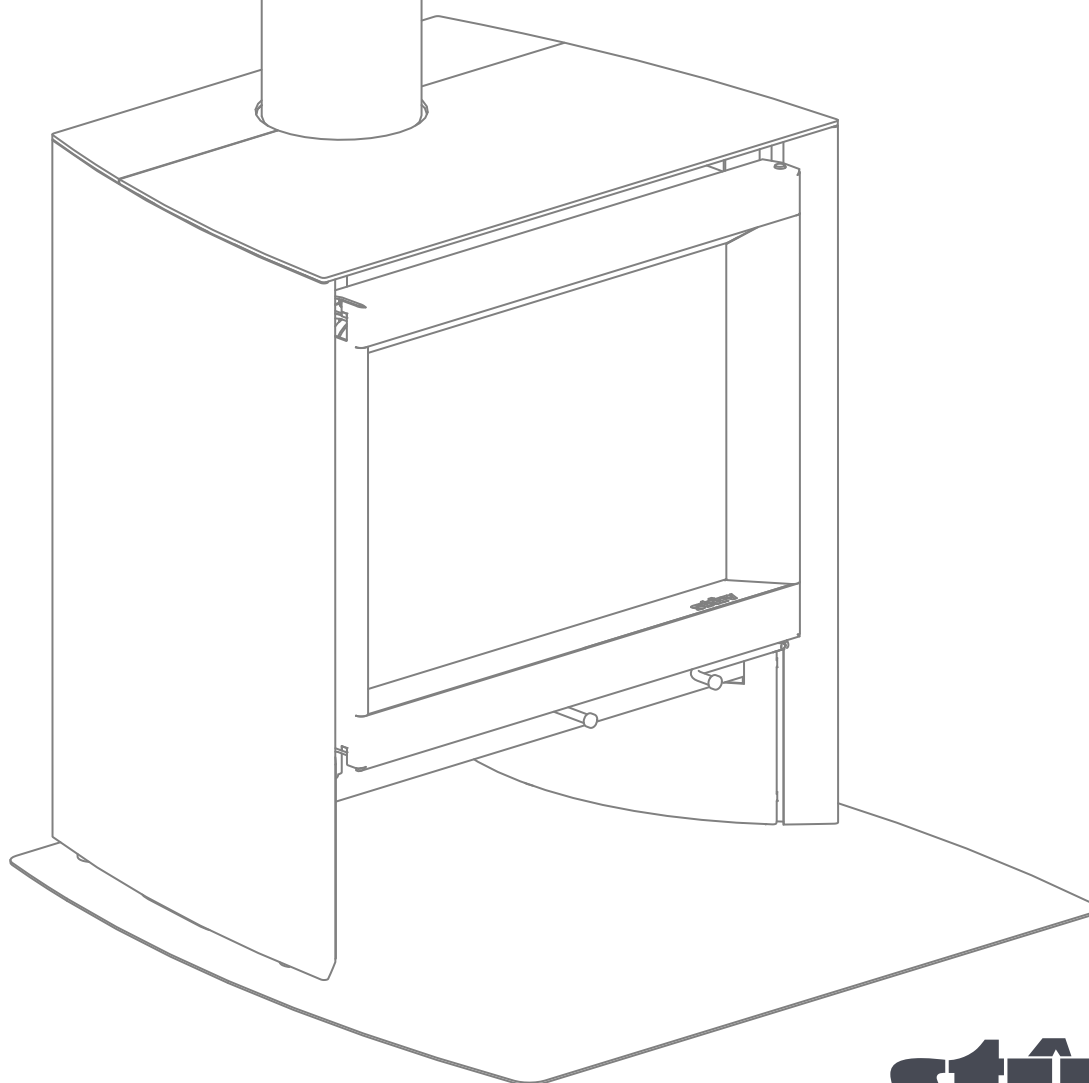
For professional use

Installation instructions

EN

www.stuv.com

You can also find us on:



stuv 6-H

July 2020

93104929

This stove has been designed to offer maximum comfort, performance and safety.

The greatest care has been taken during the manufacturing process.

Contents

ABOUT THE PRODUCT	3
Norms, accreditations and technical features	3
Recommendations	4
Overview	5
Dimensions	6
PREPARING THE AREA	8
Combustion air inlet	8
Smoke duct	9
Connection to the smoke flue	9
Environment and decorative items for the stove	10
Load-bearing capacity	10
INSTALLATION	10
When the equipment is delivered	10
Unpacking	11
Checking the contents	11
Dismantling and moving	12
Set up	14
External air connection from below	14
External air connection from the rear	15
Top flue connection	16
Rear flue connection	16
Reassembling and adjusting the smoke deflectors	17
Reassembly of side facings and door	18
When installation of the stove is complete...	19
ACCEPTANCE OF WORKS	21
CONTACTS	23

ABOUT THE PRODUCT

Norms, accreditations and technical features

Stûv 6-H intermittent stoves comply with European EN standards (performance, gas emissions, safety etc.).

The following information has been provided by an accredited laboratory.

Results of tests that comply with EN 13240 standards: 2001 and 13240-A2:2004 (stoves)



The Stûv 6-H is covered by pattern drawings no. DM205982



Stûv S.A.
B-5170 Bois-de-Villers (Belgium)

QA191322927-EN
EN 13240: 2001 / A2: 2004

Wood-burning stove
Stûv 6 60x65H (UK)

Minimum safety distance from adjacent combustible materials :

- behind : 7,5 cm
- on the sides : 15 cm
- below : 0 cm

Recommended fuel:
wooden logs only

CO emissions: 0,07 (0,08)%

Average smoke temperature at nominal power: 254 (253)°C

Nominal heat output: 5,9 (5,0) kW

Efficiency: 79%

Particle emissions: 24 (38) mg/Nm³

Read the installation instructions and the instructions for use!



Stûv S.A.
B-5170 Bois-de-Villers (Belgium)

QA191322928-EN
EN 13240: 2001 / A2: 2004

Wood-burning stove **Stûv 6 70x73H**

Minimum safety distance from adjacent combustible materials :

- behind : 7,5 cm
- on the sides : 15 cm
- below : 0 cm

Recommended fuel:
wooden logs only

CO emissions: 0,07%

Average smoke temperature at nominal power: 271°C

Nominal heat output: 7,6 kW

Efficiency: 79%

Particle emissions: 24 mg/Nm³

Read the installation instructions and the instructions for use!



Stûv S.A.
B-5170 Bois-de-Villers (Belgium)

QA191322929-EN
EN 13240: 2001 / A2: 2004

Wood-burning stove **Stûv 6 80x80H**

Minimum safety distance from adjacent combustible materials :

- behind : 7,5 cm
- on the sides : 15 cm
- below : 0 cm

Recommended fuel:
wooden logs only

CO emissions: 0,06%

Average smoke temperature at nominal power: 284 °C

Nominal heat output: 9,3 kW

Efficiency: 79%

Particle emissions: 21 mg/Nm³

Read the installation instructions and the instructions for use!

Norms, accreditations and technical features (continued)

	Stûv 6 60x65 H (UK)	Stûv 6 70x73 H	Stûv 6 80x80 H
Minimum draft to achieve the nominal heating power	12 Pa	12 Pa	12 Pa
Smoke mass flow	5,6 (5,0) g/s	7,0 g/s	8,4 g/s
Smoke temperature at the device outlet (flue spigot)	355°C	355°C	354°C
Minimum cross-section of the combustion air inlet from the outside	80 mm	80 mm	80 mm
Optimum power range for use	4 - 8 kW	5 - 10 kW	6 - 12 kW
Wood burning range per hour at the recommended 12% humidity level	1,1 - 2,3 kg/h	1,4 - 2,9 kg/h	1,7 - 3,4 kg/h
Maximum amount of wood to be burned per hour to prevent the device from overheating	2,5 kg/h	3,3 kg/h	4,0 kg/h
Maximum log length when laid horizontally	20 cm	33 cm	50 cm
Weight of the device	80 kg	95 kg	105 kg

Recommendations

We recommend that you ask a qualified professional to install this Stûv, who will be able to make sure, among other things, that the characteristics of the flue are suitable for the stove being installed.

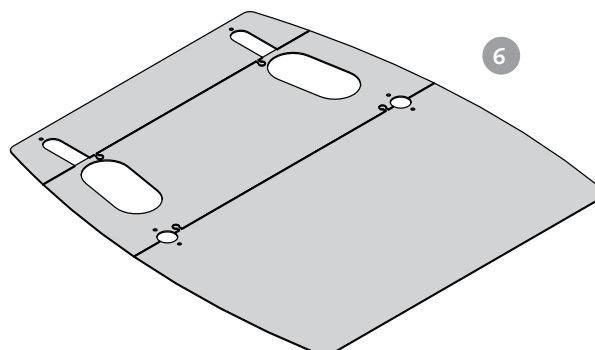
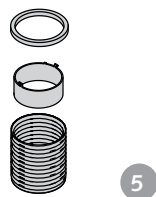
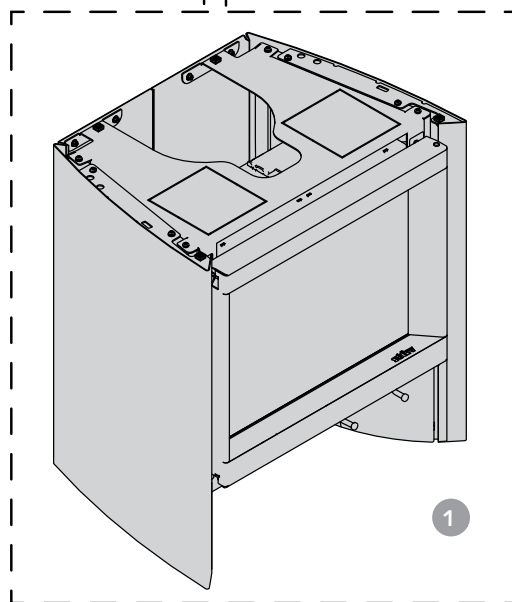
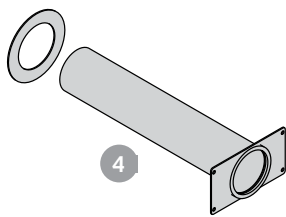
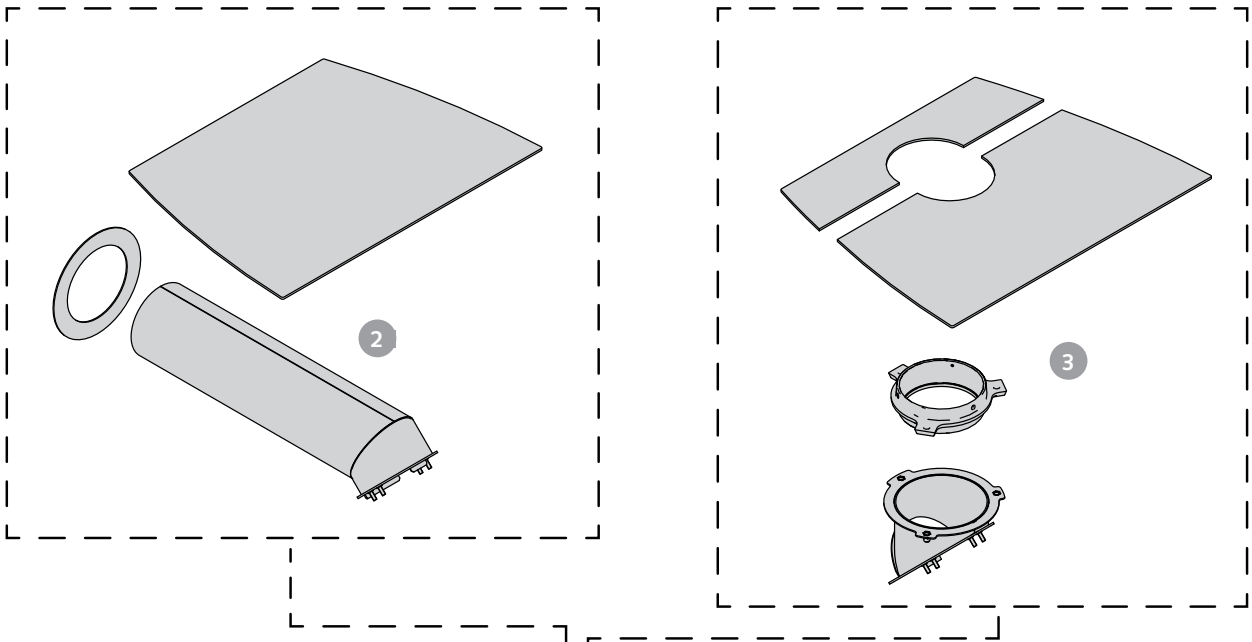
Installation of the stove, its accessories and the surrounds must comply with all (local and national) regulations and (national and European) norms in the country in which it is installed.

Certain national or local regulations require an inspection panel for the

connection between the stove and the smoke duct.

The stove must be installed in such a way as to facilitate access to sweep the chimney, the flue and the smoke duct.

Any modification to the device may be hazardous. In addition, the device will no longer be covered by the warranty.



The device

[1] Stove

Connection to the combustion smoke outlet pipe

[2] Smoke outlet towards the rear and corresponding finishing cover

[3] Smoke outlet upwards and corresponding finishing covers

Options

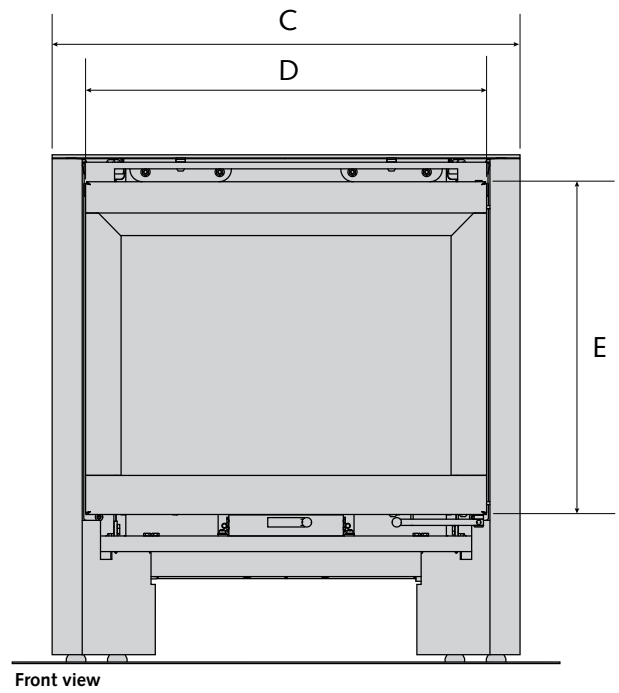
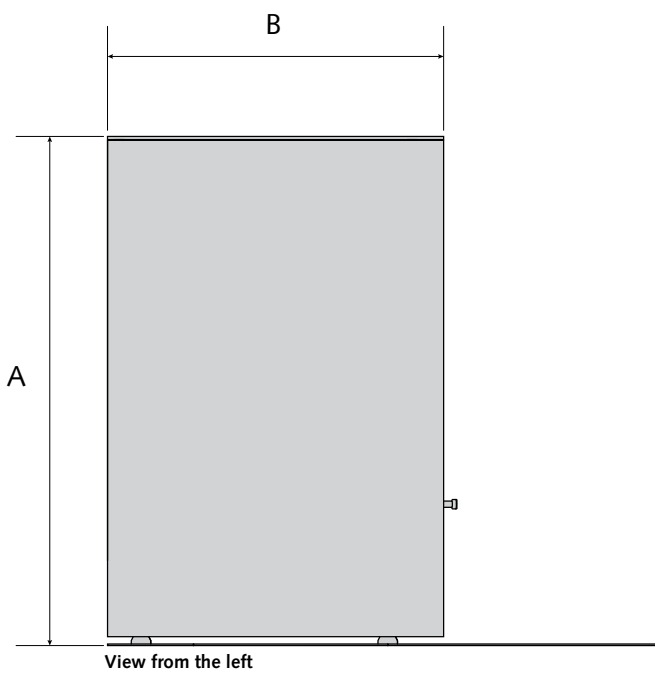
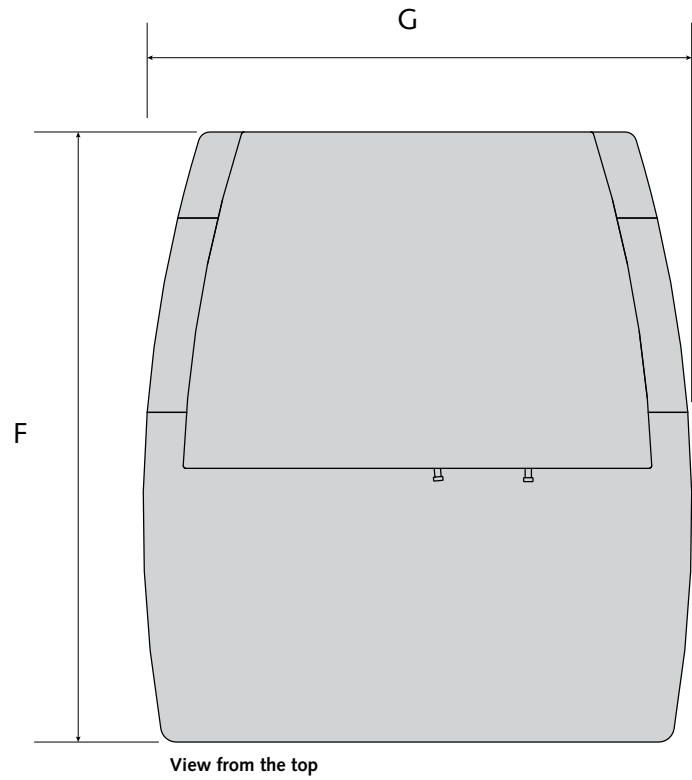
[4] Ø80mm rear air connection kit

[5] Ø80mm air connection kit from below

[6] Floor protection plate

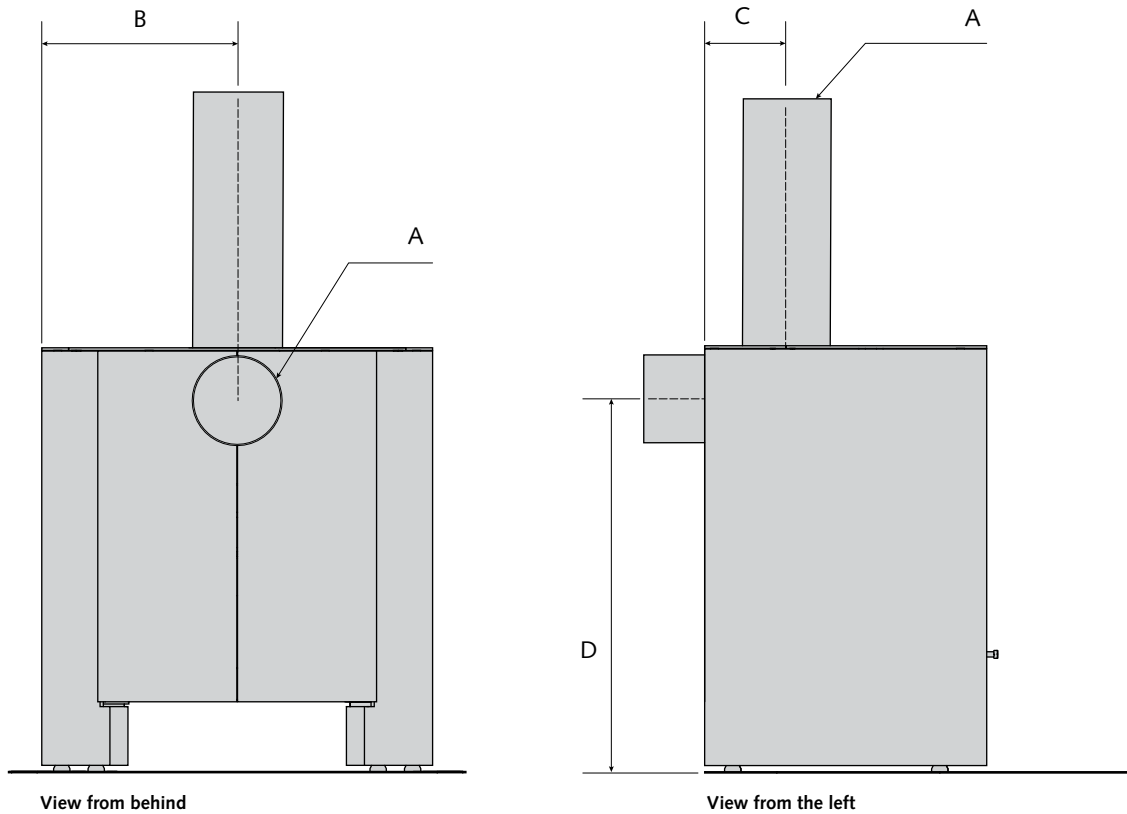
Dimensions

Dimensions of the appliance and the floor plate (optional)



	A	B	C	D	E	F	G
Stuv 6-H 60x65	650	430	600	513	426	780	700
Stuv 6-H 70x73	725	430	700	613	476	780	800
Stuv 6-H 80x80	800	430	800	713	526	780	900

Dimensions and positions of the smoke outlets

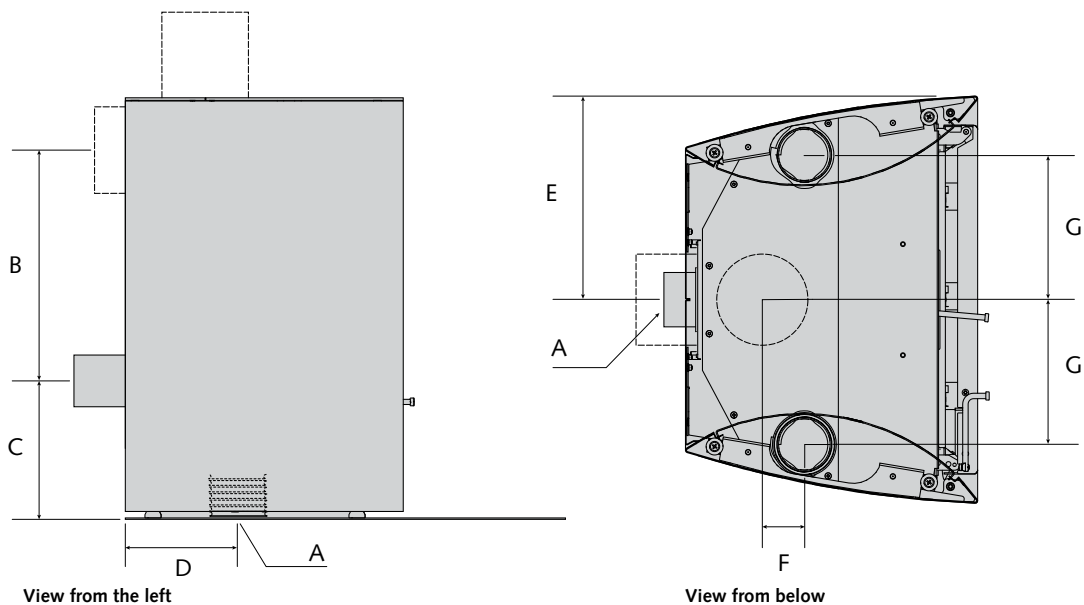


View from behind

View from the left

	A	B	C	D	
Stův 6-H 60x65	Ø130	300	124	562*	
Stův 6-H 70x73	Ø150	350	124	637*	
Stův 6-H 80x80	Ø150	400	124	712*	*-0/+10mm

Dimensions and positions of the air intakes

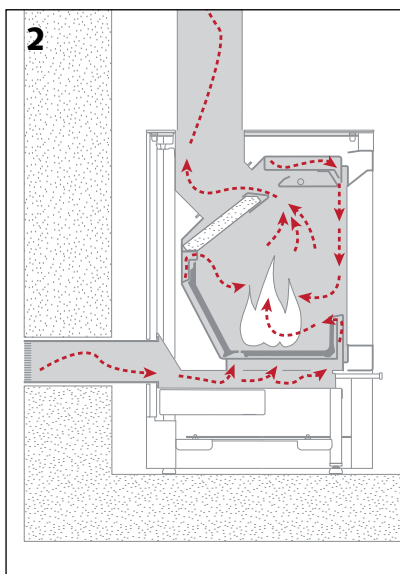
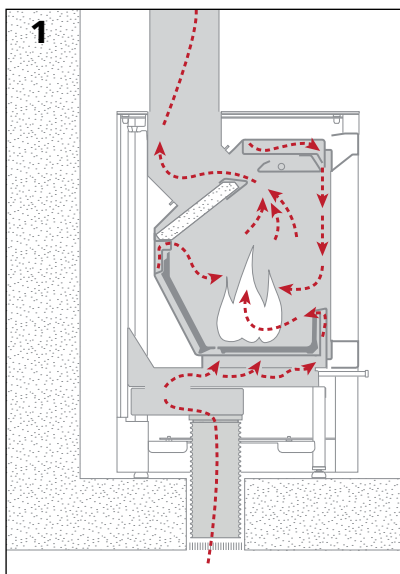


View from the left

View from below

	A	B	C	D	E	F	G	
Stův 6-H 60x65	Ø80	357	212*	175	300	50	213	
Stův 6-H 70x73	Ø80	400	237*	175	350	50	263	
Stův 6-H 80x80	Ø80	450	262*	175	400	50	313	*-0/+10mm

Combustion air inlet



The stove needs air to burn. The Stuv 6 is designed to be connected directly to an external air inlet (independent of the air in the house). We recommend this arrangement.

External air inlet

An adequate air inlet should ideally be pointing either:

- vertically under the stove, to be connected via a Ø80mm nozzle [figure 1].
- horizontally behind the stove, to be connected using an external air inlet kit at the back and a Ø80mm nozzle [figure 2].

This air inlet should preferably come from a ventilated cavity, a ventilated space (cellar), directly from the outside (mandatory in some countries). In this case, be aware of the risk of condensation.

The duct that brings in the external air...

... will be protected from the outside with a grill where the cross-section of the clearance is at least equivalent to the cross-section of the air inlet. Watch out for water getting in as well as wind, as these could make the system ineffective.

... will be as short as possible to prevent pressure loss and make sure the house doesn't get cold.

If you use our standard Ø80mm flexible duct, we recommend a maximum length of 2m and no more than 4 bends. If you do not follow these recommendations, you will need to compensate by having a larger diameter and/or a more flexible tube.

Make sure you do not squash the duct.

If it is not possible to connect the stove to an external air inlet (the least preferable option)...

The combustion air will then be drawn directly from the room... make sure the room is sufficiently ventilated when the stove is in use.

NB

Beware of active air extractive systems (cooker hood, air-conditioning unit, controlled mechanical ventilation, another stove etc.) in the same space or in a neighbouring room. They also use up a lot of air, could cause low pressure in the area and disrupt the smooth running of the stove.

It is also important to make sure that the configuration chosen is completely compatible with local and national regulations.

Smoke duct

Make sure that the dimensions of the duct, spaces left between combustible materials, glass etc. comply with local guidelines and the norms in force for professional installation.

A few basic points

In order to draw properly, the stove must be compatible with the chimney flue (and vice versa).

Too big a chimney is just as bad for the smooth running of the stove as too small a chimney.

The flue also needs to be as straight as possible, and insulated in order to encourage the draw and avoid condensation.

The ideal solution is a flue built inside the building that is thermally insulated. An external flue without insulation would be unacceptable.

The fireplace can never be connected to a flue that serves more than one appliance.

Beware of heat loss

If there are several chimney flues available: only use one; block up unused flues at the top and bottom, and in general, make sure that the ceiling in the recess containing the stove is well sealed [diagram 1].

Diameter of the smoke outlet:

Stûv 6-H - 60x65: D130 mm

Stûv 6-H - 70x73: D150 mm

Stûv 6-H - 80x80: D150 mm

Connection to the smoke flue

Allow play of 2 mm/m for expansion of the flue and to ensure smooth rotation of the stove.

Upward connection [diagrams 1a]

If the flue is straight, it is installed in the bottom of the cast iron smoke outlet. Holes in the cast iron allow the flue to be fixed using self-drilling screws.

If the flue is bent or deflected, it will be fixed at the wall or ceiling.

Rear connection [diagram 1b]

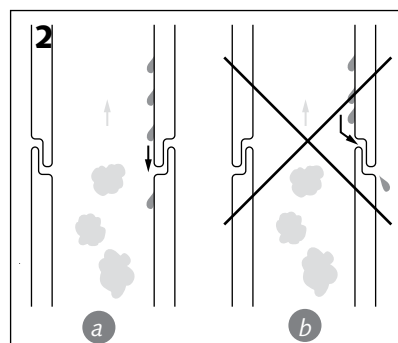
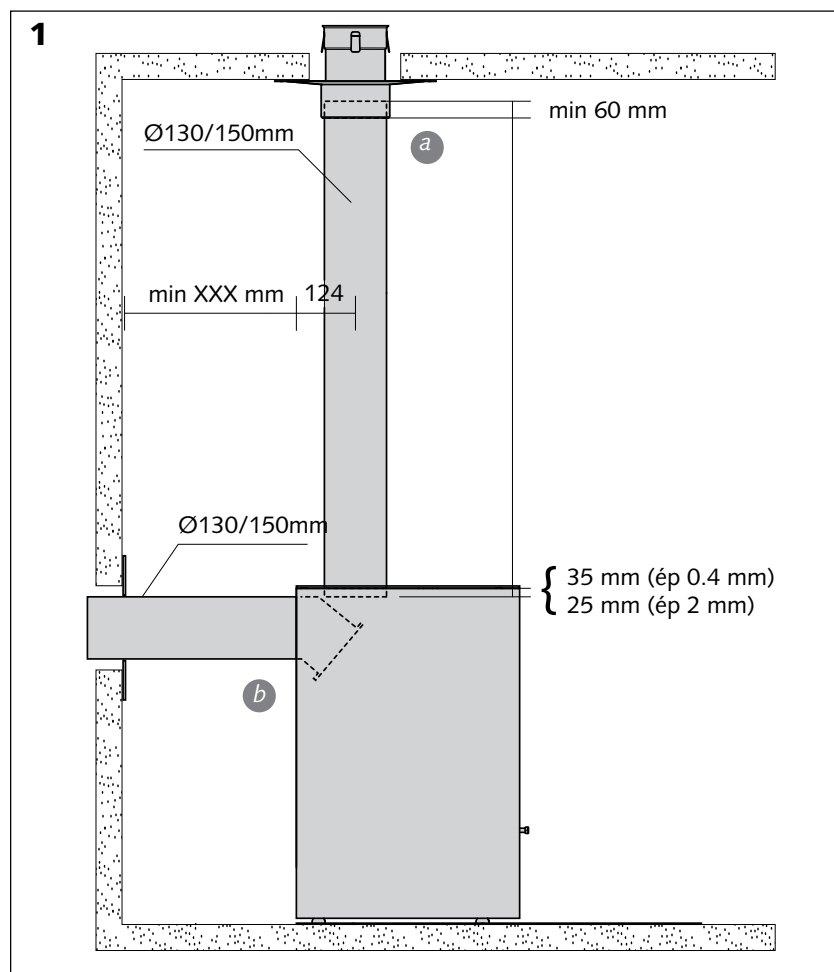
Use only the specific smoke outlet which is fixed directly to the combustion chamber of the device.

Tightness

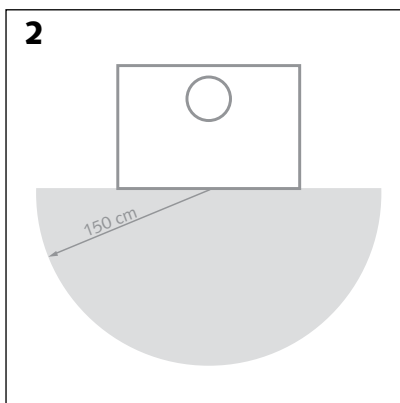
The various components which make up the connection between the stove and the smoke flue and those which make up the flue itself have to be fitted so that they are airtight for the condensation [diagram 2/a] rather than the smoke [diagram 2/b].

Calculation of the height of the duct

For the sinking of the duct at stove level, add 25 mm for a duct 2 mm in thickness and 35 mm for a 0.4 mm duct.



Environment and decorative items for the stove



Radiation

There may be a lot of heat radiation on the glass. Make sure that the materials exposed to this radiation are resistant to high temperatures [figure 2].

Safety

Depending on the type of floor in front of the appliance, it may be necessary to use the protective plate (e.g. the floor plate is recommended to protect a wooden floor).

Avoid "calorie traps" in the niche or hood

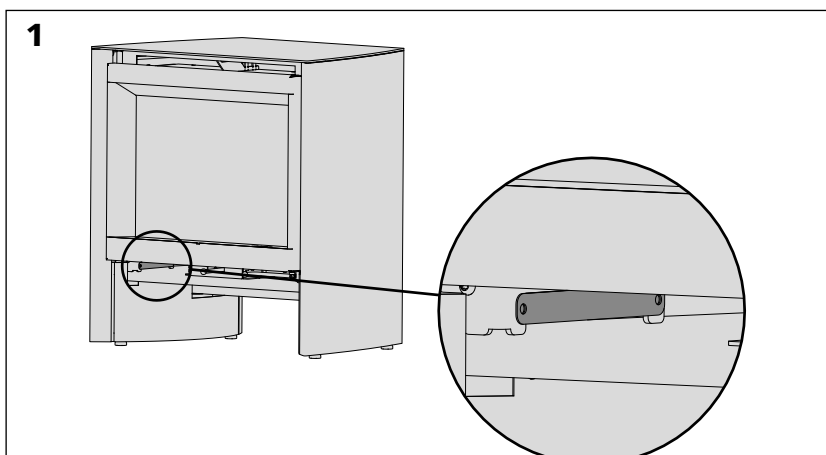
If the stove is located in a bell-shaped environment (eg old hearth), this space must be ventilated to avoid "calorie traps".

Load-bearing capacity

Make sure that the floor is sturdy enough for the stove as well as the construction of its cladding; if you have any doubts, talk to an expert.

INSTALLATION

When the equipment is delivered

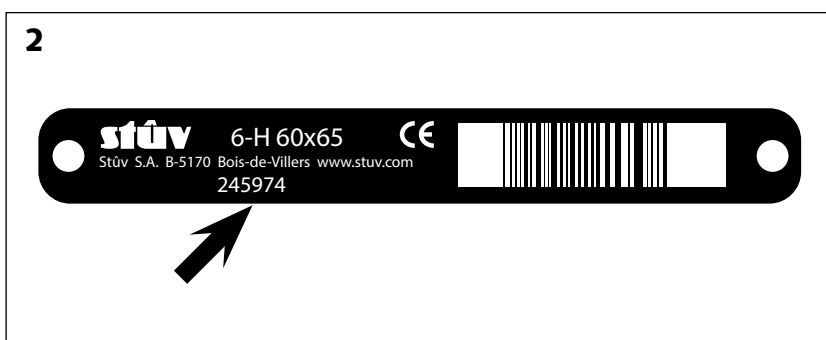


Warning!

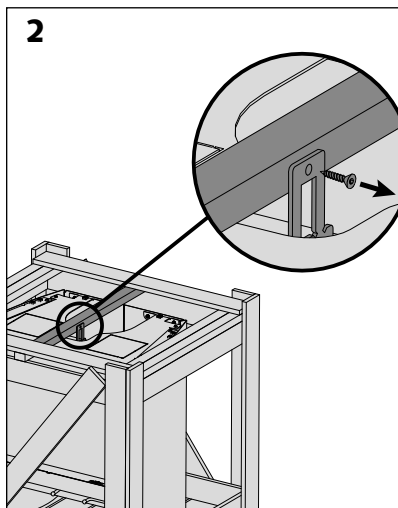
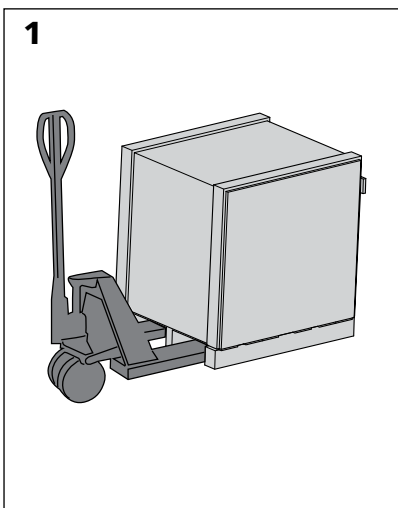
Signature of the delivery note implies the recipient's acceptance and acknowledgement that the goods are the ones that were ordered. It is therefore important to check it thoroughly at the time of delivery.

Complaints

If you have any complaints, always mention the serial number displayed on the stove [figures 1 & 2].



Unpacking



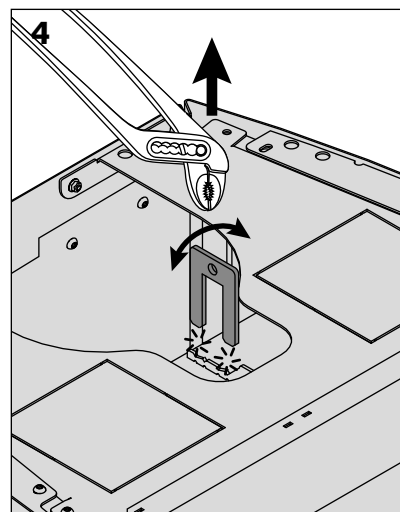
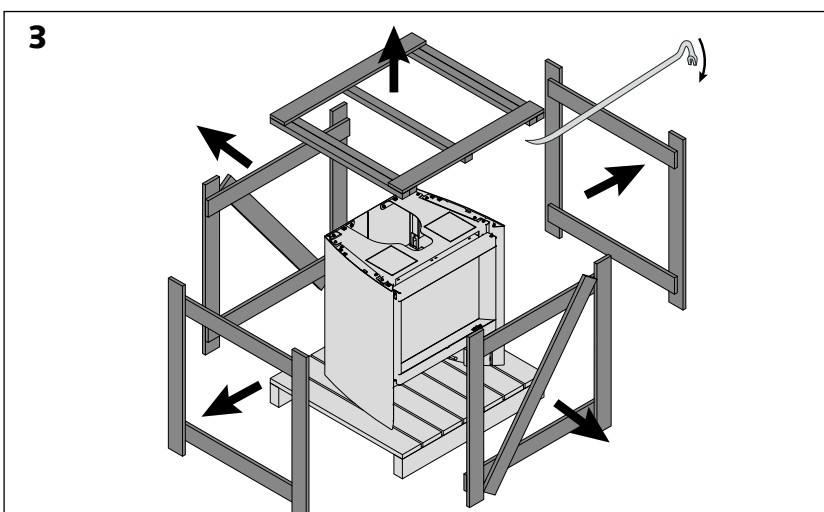
Warning!

The paintwork is relatively fragile, so handle the appliance with care when installing it.

> Remove the fixing screw from the crosspiece [diagram 2].

> Dismantle the pallet structure using a crowbar [diagram 3].

> Break the fixing lug with pliers [diagram 4].



Checking the contents

In the device's combustion chamber, you will find:

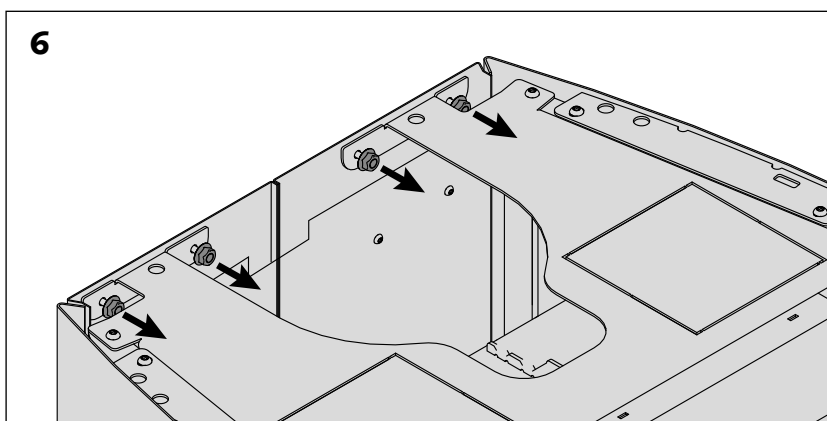
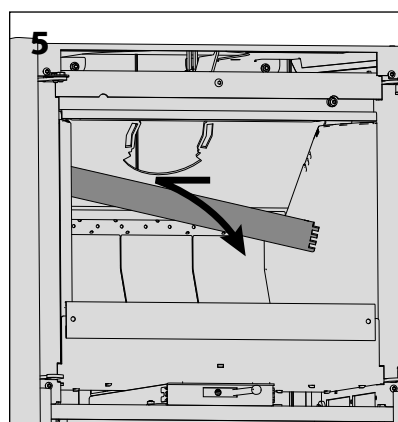
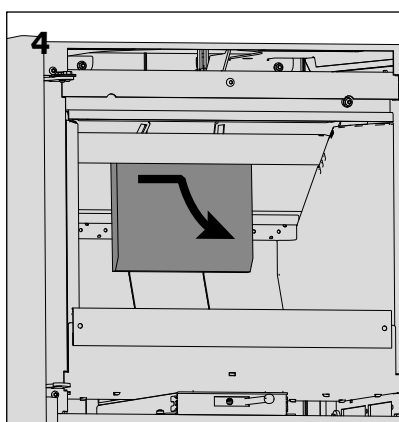
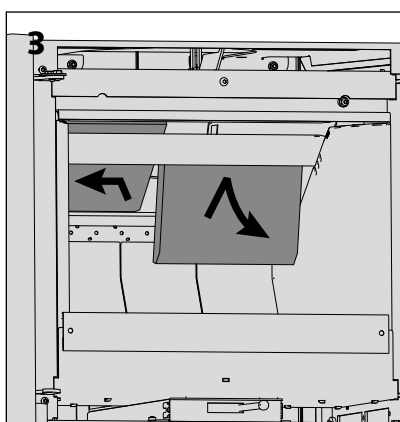
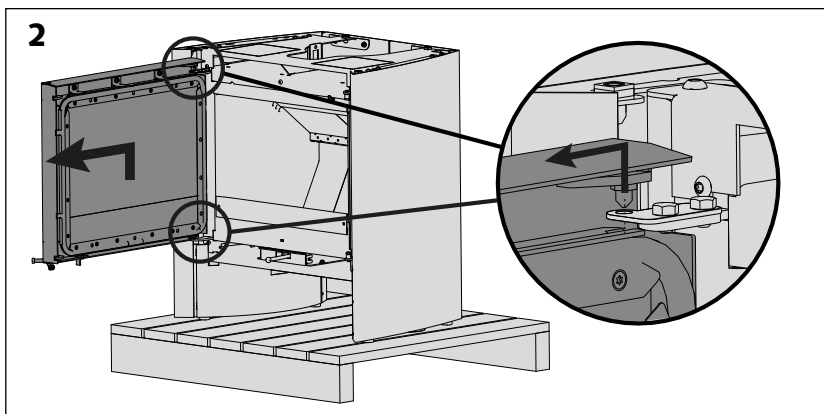
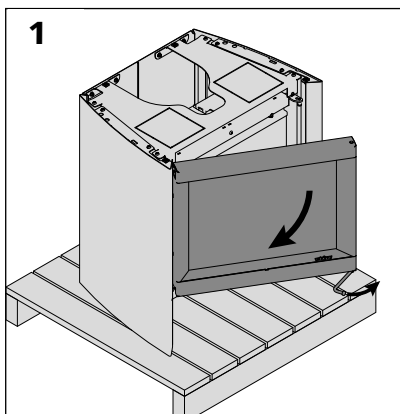
- A can of paint for touch-ups,
- A black Stûv glove to give to the end user,
- Two pairs of white gloves for handling the stove,
- A pack of hardware containing the screws to attach the smoke outlet,
- Installation and usage instructions.

If any accessories or options have been ordered (floor plate, outside air connections,...), they are arranged around the stove or its packaging.

Make sure you have received all the accessories and options you ordered.

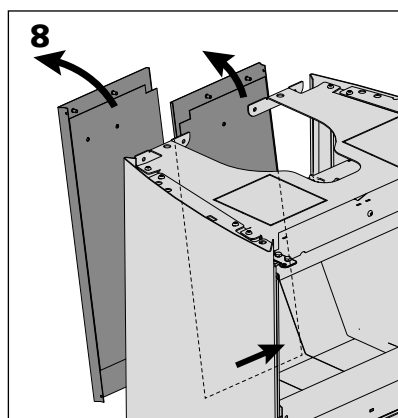
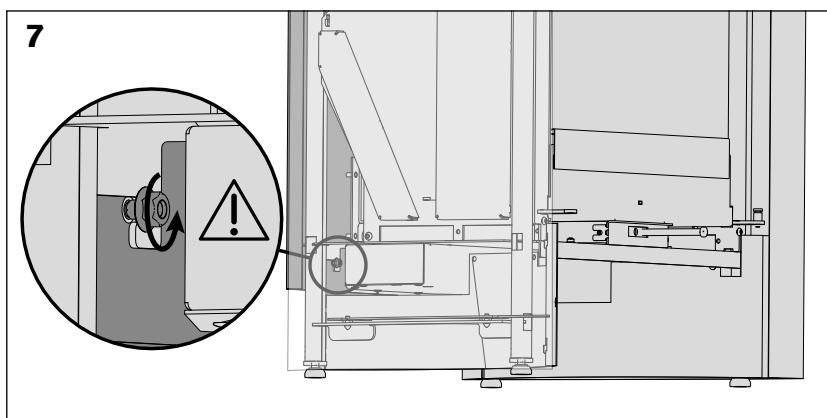
Dismantling and moving

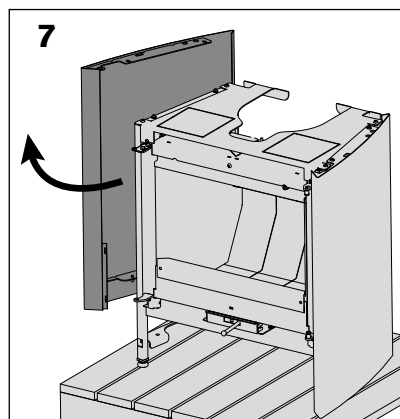
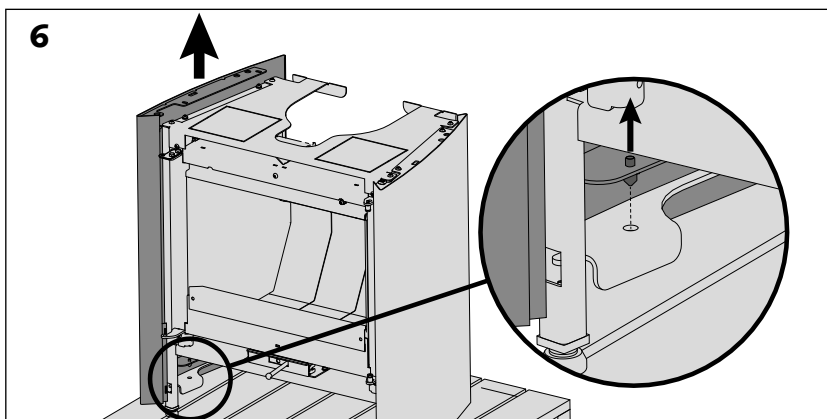
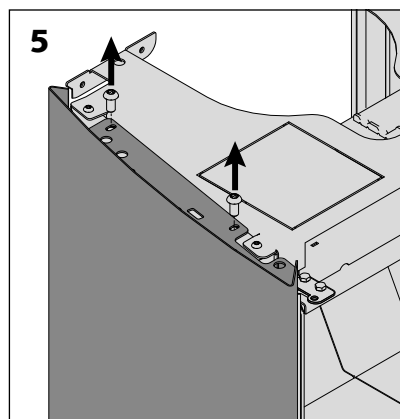
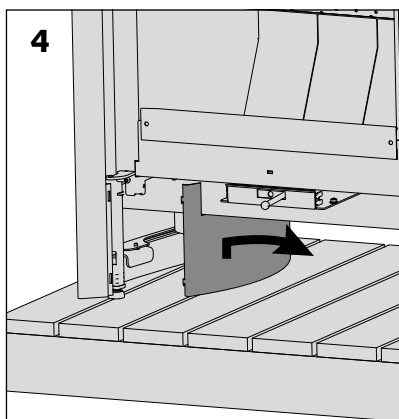
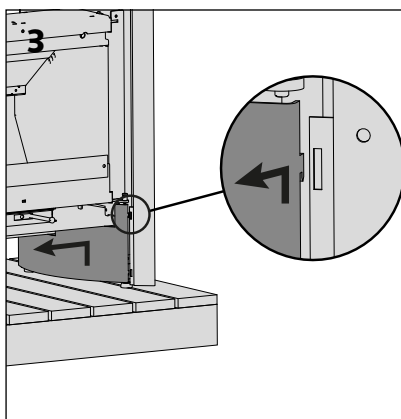
Note: In order to lighten the appliance for easier handling and to avoid damaging the finishing elements, it is necessary to dismantle the door and the facings of the appliance before moving it. The handling is then done by its tubular structure.



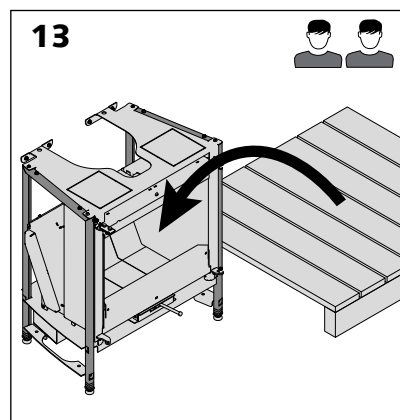
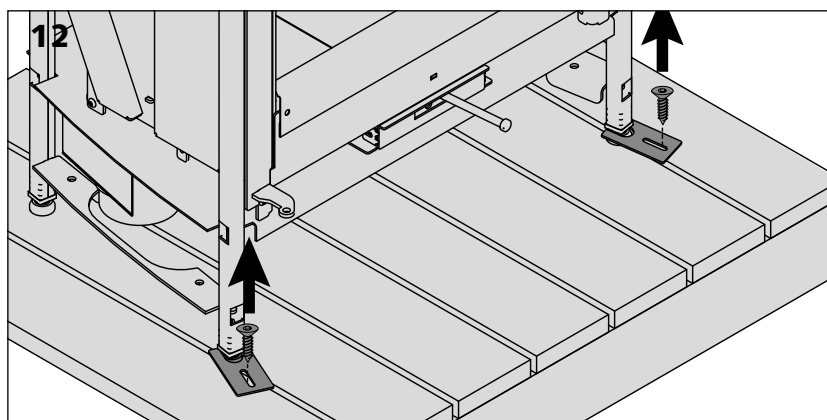
Attention

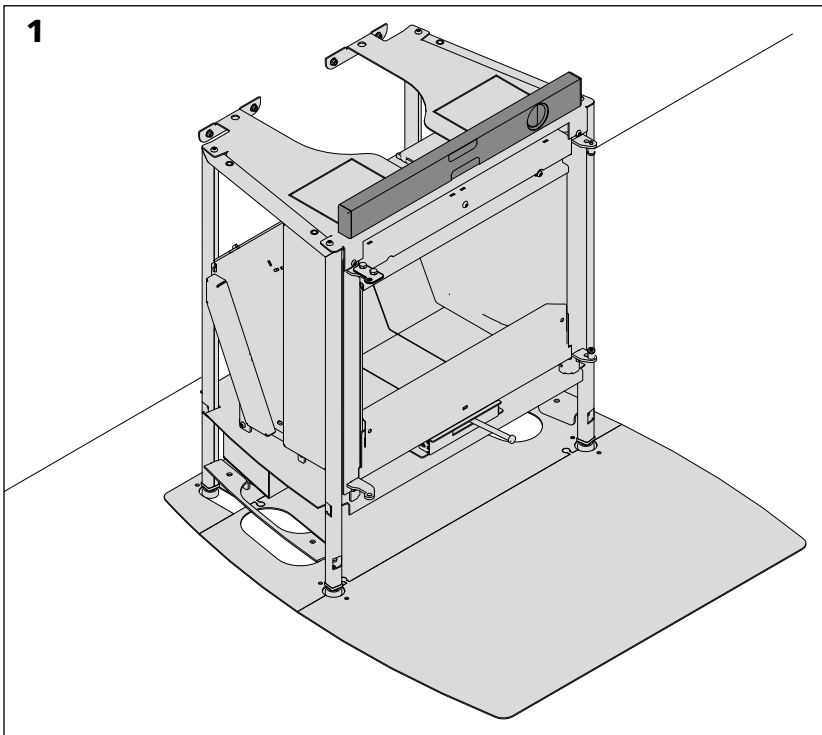
To remove the rear facings, remove the 4 upper nuts [Figure 6], then loosen the 2 lower nuts and slide the facings sideways out of the groove [Figure 7&8].





2X



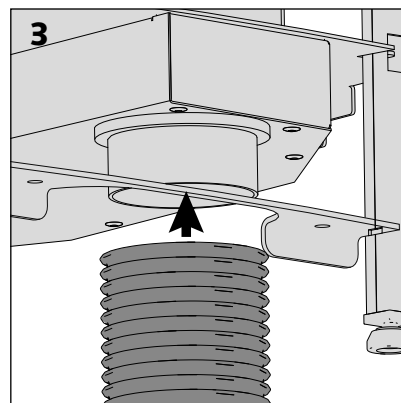
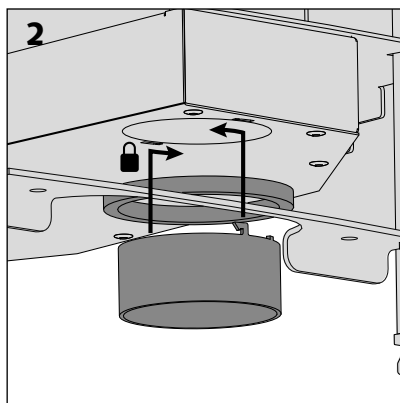
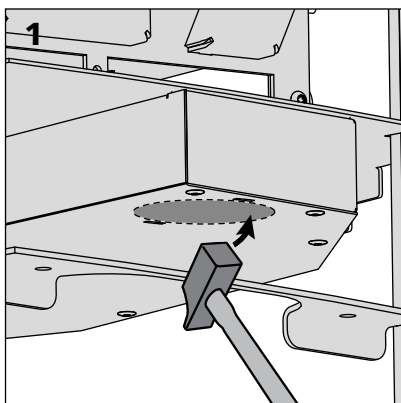


Make sure that the necessary arrangements for the combustion air intake and the smoke outlet have been made, taking into account the indications in the "dimensions" chapter on page 6.

If the floor plate option is provided, install it [diagram 1].

Place the appliance and adjust the level [diagram 2].

External air connection from below



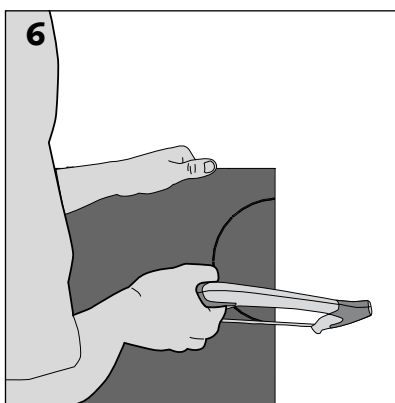
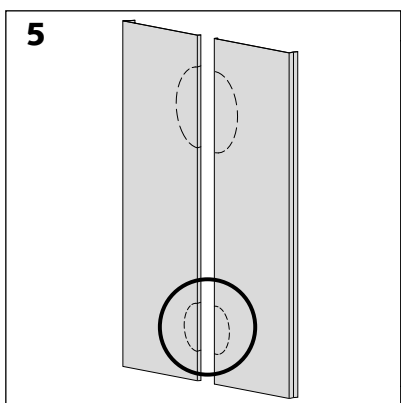
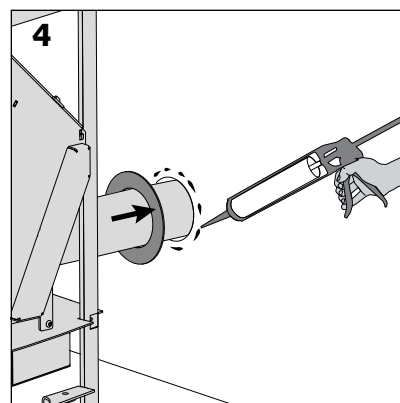
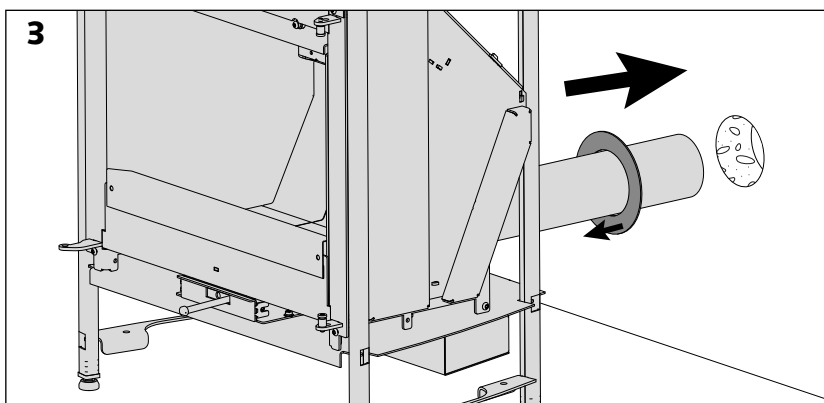
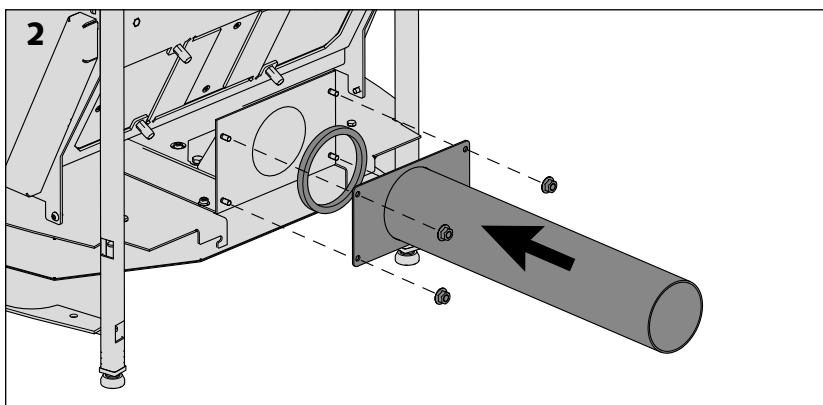
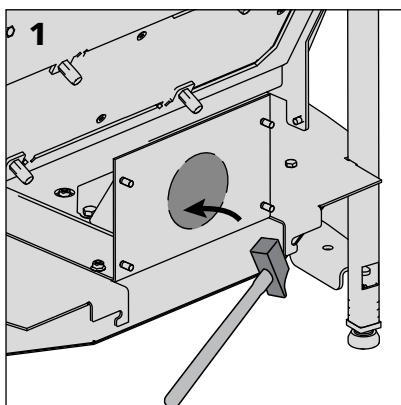
The outside air supply for combustion can be done on the right or on the left of the air box.

> Attach the hose to the nozzle using a hose clamp [diagram 3].

> Break the pre-cut lid on the desired side [diagram 1].

> Place the foam gasket in the nozzle on the air box, rotate the nozzle to lock it [diagram 2].

External air connection from the rear

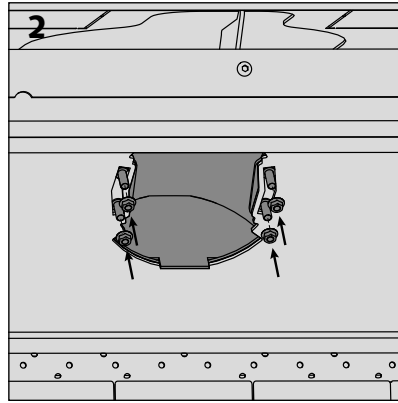
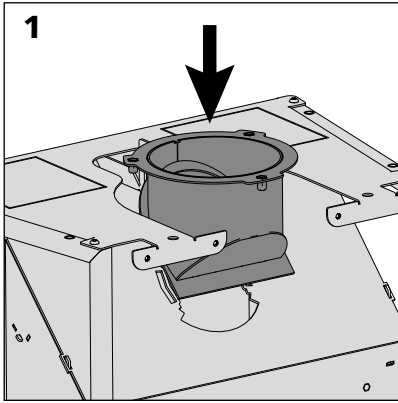


Notes:

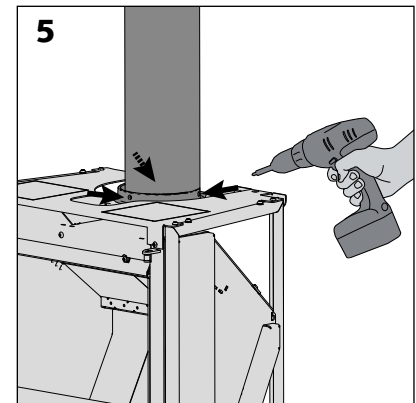
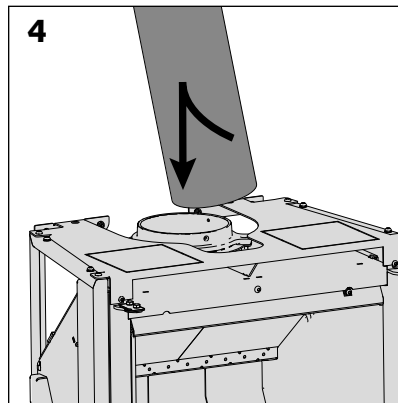
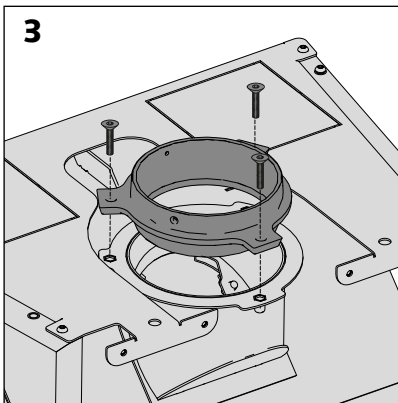
> Use a temperature resistant glue for bonding the finishing rosette [diagram 4].

> Saw off the first junctions of the pre-cut lid from the rear walls using a hacksaw then break the following [diagram 5 & 6].

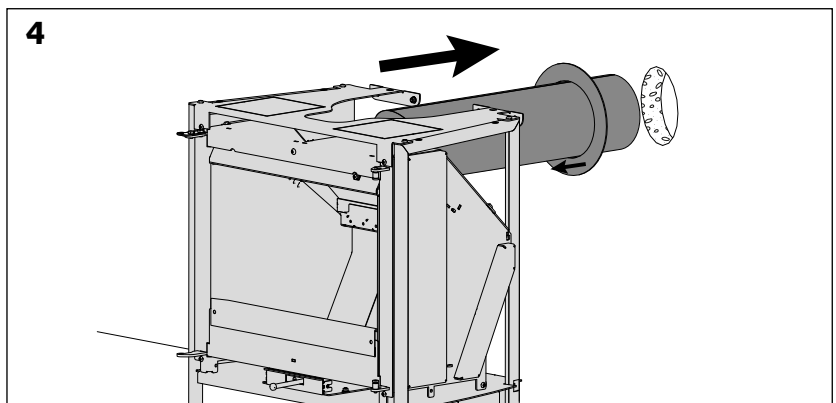
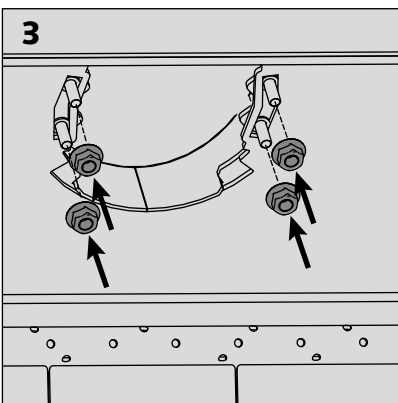
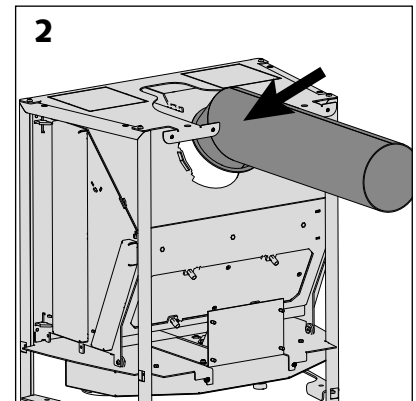
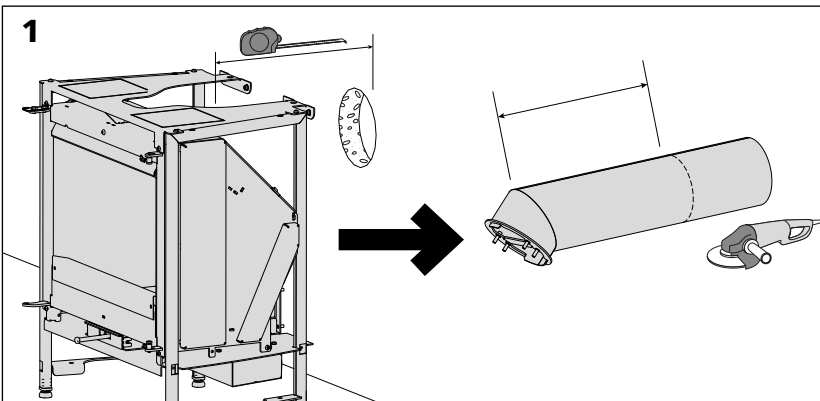
Top flue connection



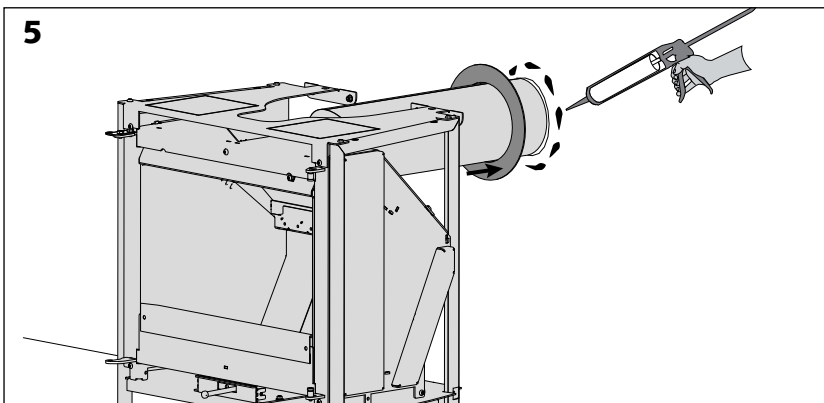
Caution: Attach the nozzle to the fireplace using self-tapping screws. Three holes are fitted for this purpose in the cast iron flange [diagram 5].



Rear flue connection



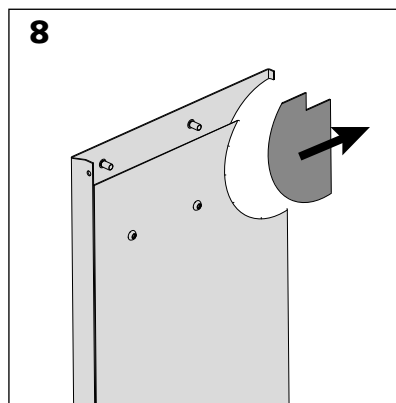
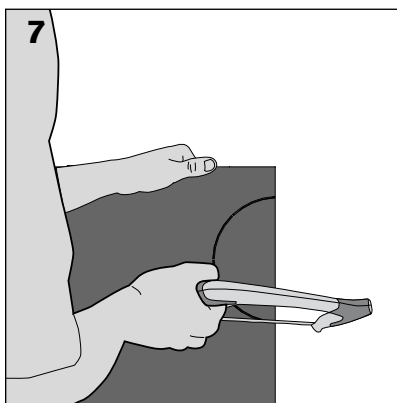
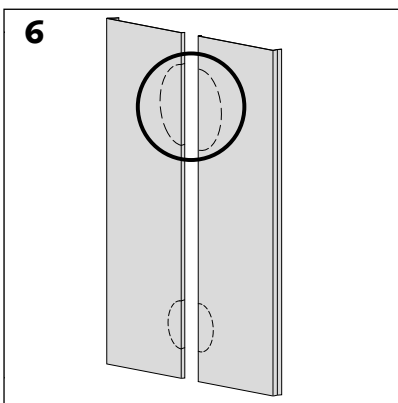
Rear flue connection (continued)



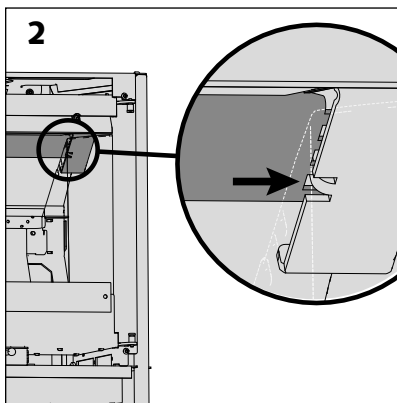
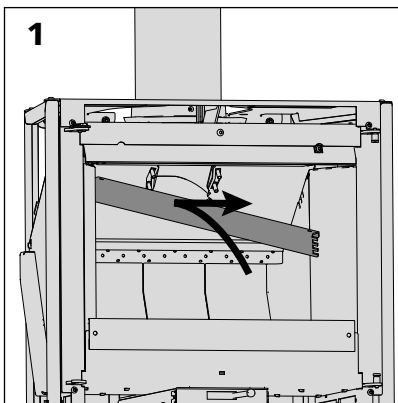
Notes:

> Use a temperature resistant glue for bonding the finishing rosette [diagram 5].

> Saw the first junctions of the precut cover using a hacksaw then break the following [diagram 6-8].

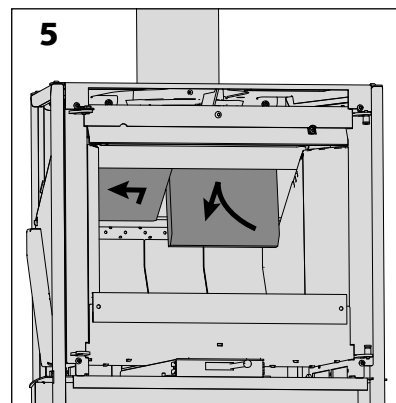
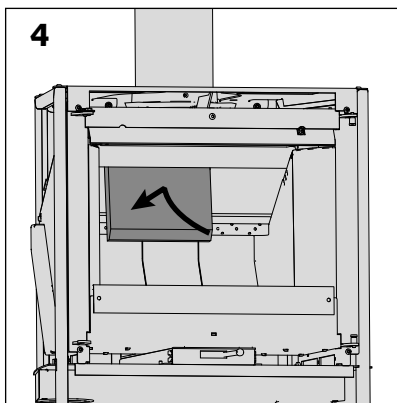
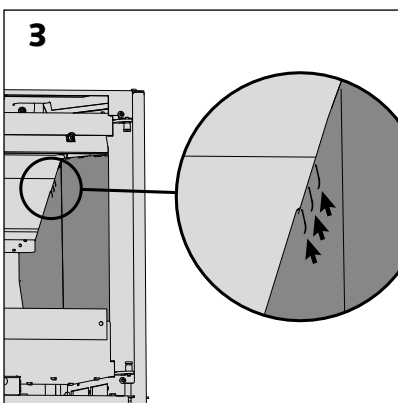


Reassembling and adjusting the smoke deflectors

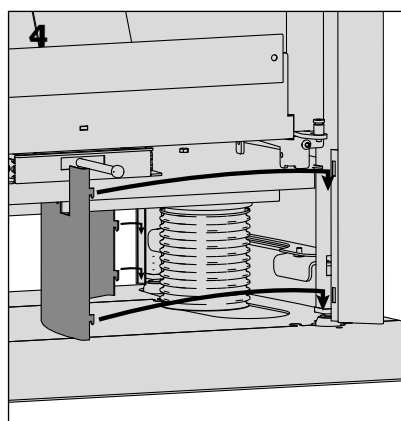
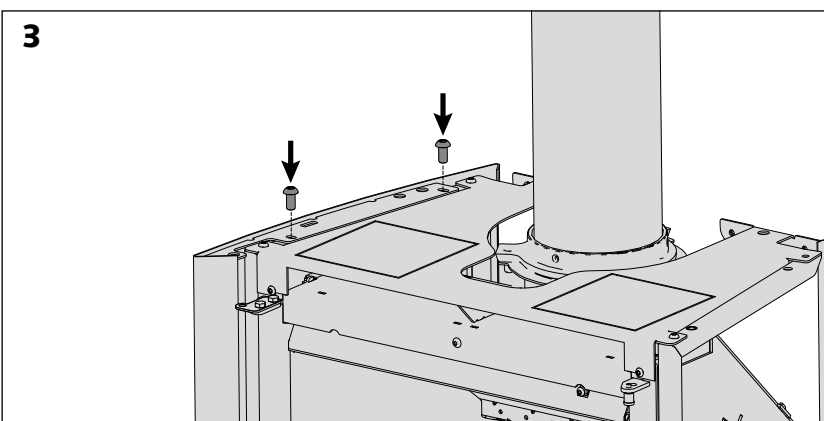
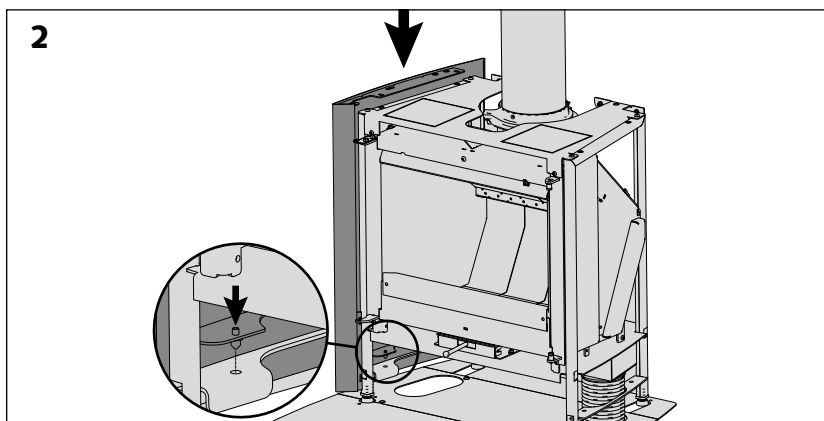
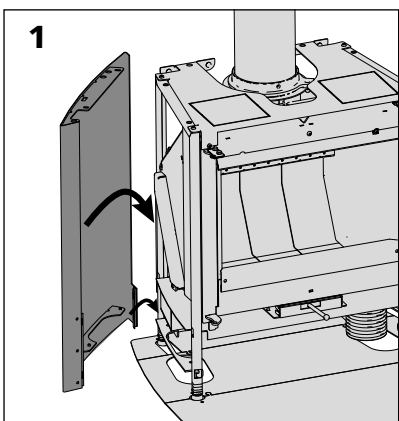


The default position of the vermiculite deflector housing is the highest position. If you have a "lazy" chimney, you can lower the housing to the second or third notches [figure 2].

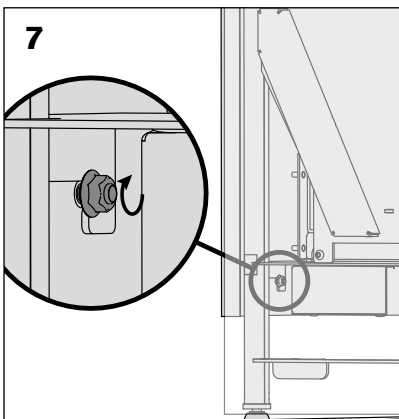
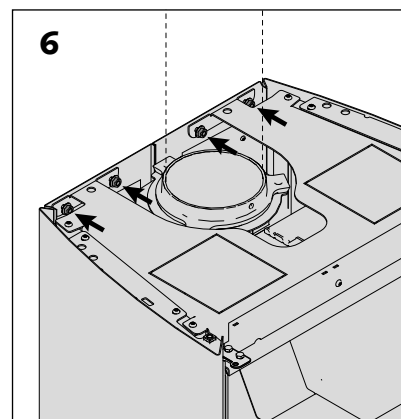
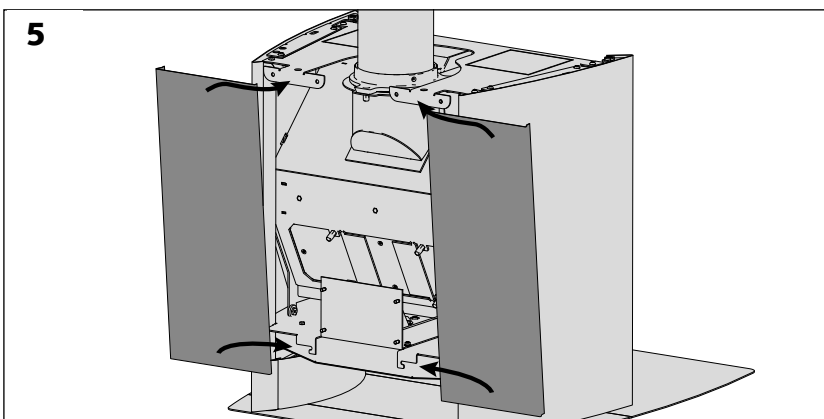
Use the markings on the side to get the right position for the deflector housing [figure 3].

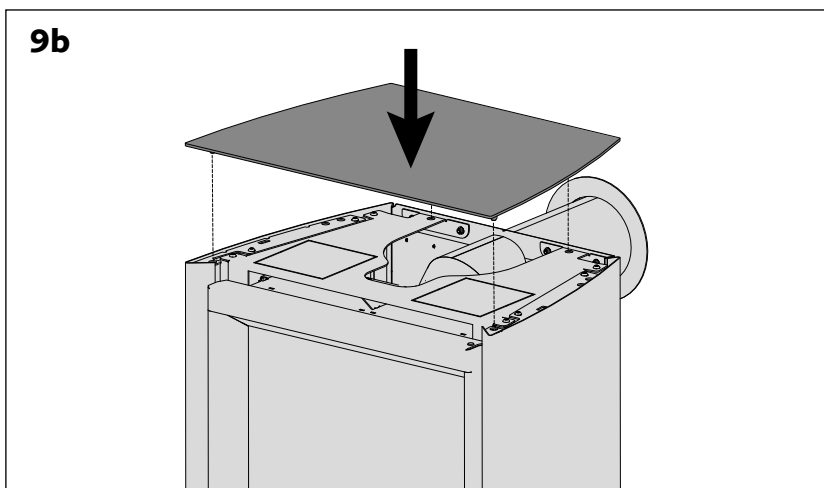
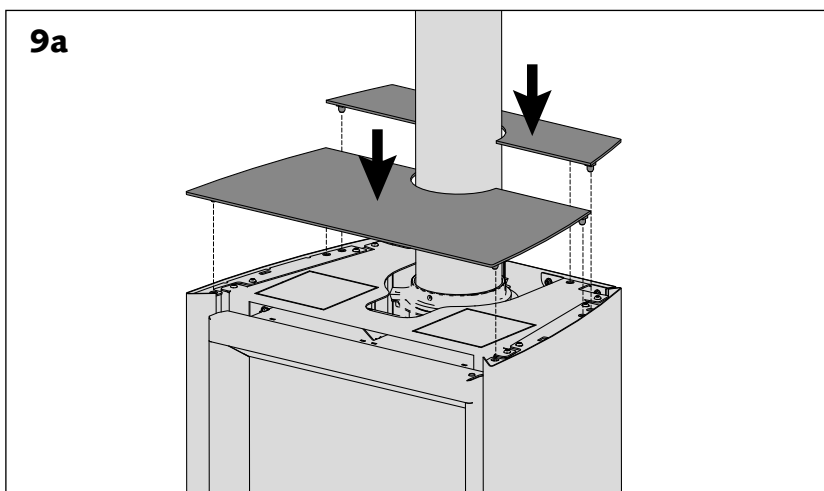
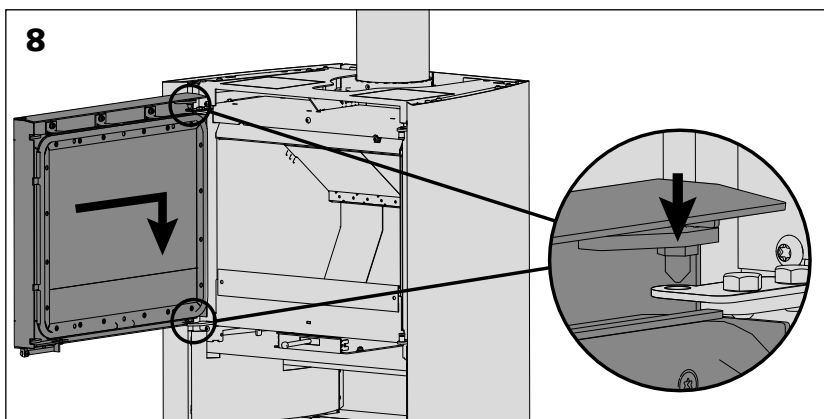


Reassembly of side facings and door



2X





When installation of the stove is complete...

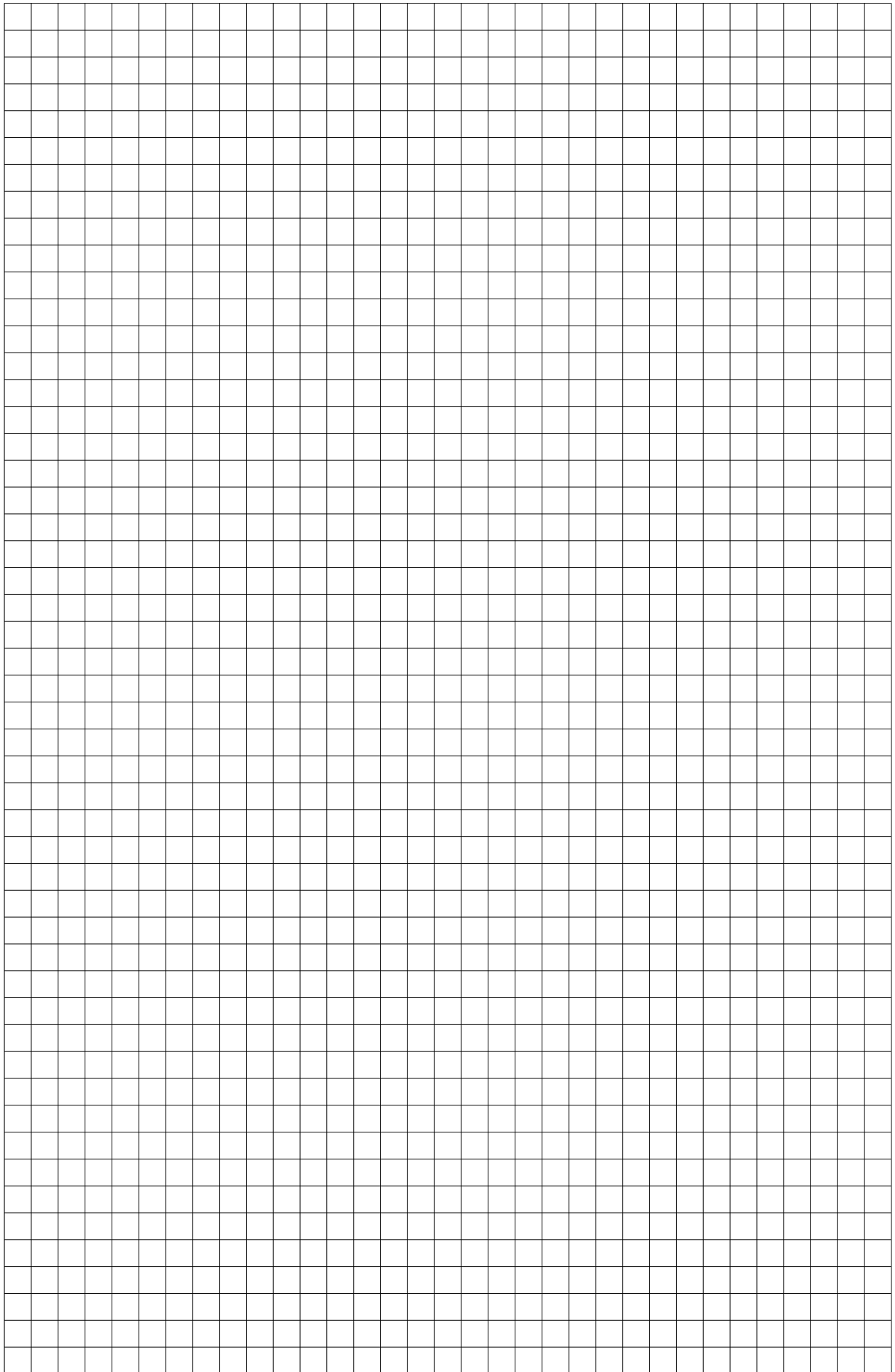
... carry out a test to make sure the stove is working.

Before you start, make sure that no element connected to installation has been left in the combustion chamber or in any gaps.

The first time you light the fire, some fumes and smells may be released: make sure the room is well ventilated.

Please refer to the instructions for use.

Once the stove is installed, give the instructions back to the user. Fill in the warranty certificate with them (online), the acceptance report and the installation report, and recommend that they send this back to the manufacturer or importer.



ACCEPTANCE OF WORKS



PLEASE COMPLETE IN BLOCK CAPITALS.

THE PURCHASER

SURNAME
FIRST NAME
ADDRESS WHERE WORKS WERE CARRIED OUT
POST CODE
TOWN/PLACE
COUNTRY

INSTALLATION ENGINEER

COMPANY

YOUR STUV STOVE 6

SERIAL N°
DATE OF INSTALLATION

FLUE CHARACTERISTICS

HEIGHT OF FLUE IN M
DIAMETER OF FLUE IN MM
TYPE OF FLUE

CHECK OF SYSTEM'S SETTINGS

CHECK ON THE VACUITY OF THE FLUE
VALIDATION OF DRAUGHT
VERIFICATION OF AIR INLET SETTING
(OPEN/CLOSED)

CHECK OF THE HUMIDITY OF THE WOOD HUMIDITY % NO WOOD

COMMENTS
.....
.....

SAFETY GUIDELINES

The use of this system has to comply with the installer's recommendations and the manufacturer's instructions which are set out in the directions for use issued to the customer with the invoice and this confirmation of acceptance.

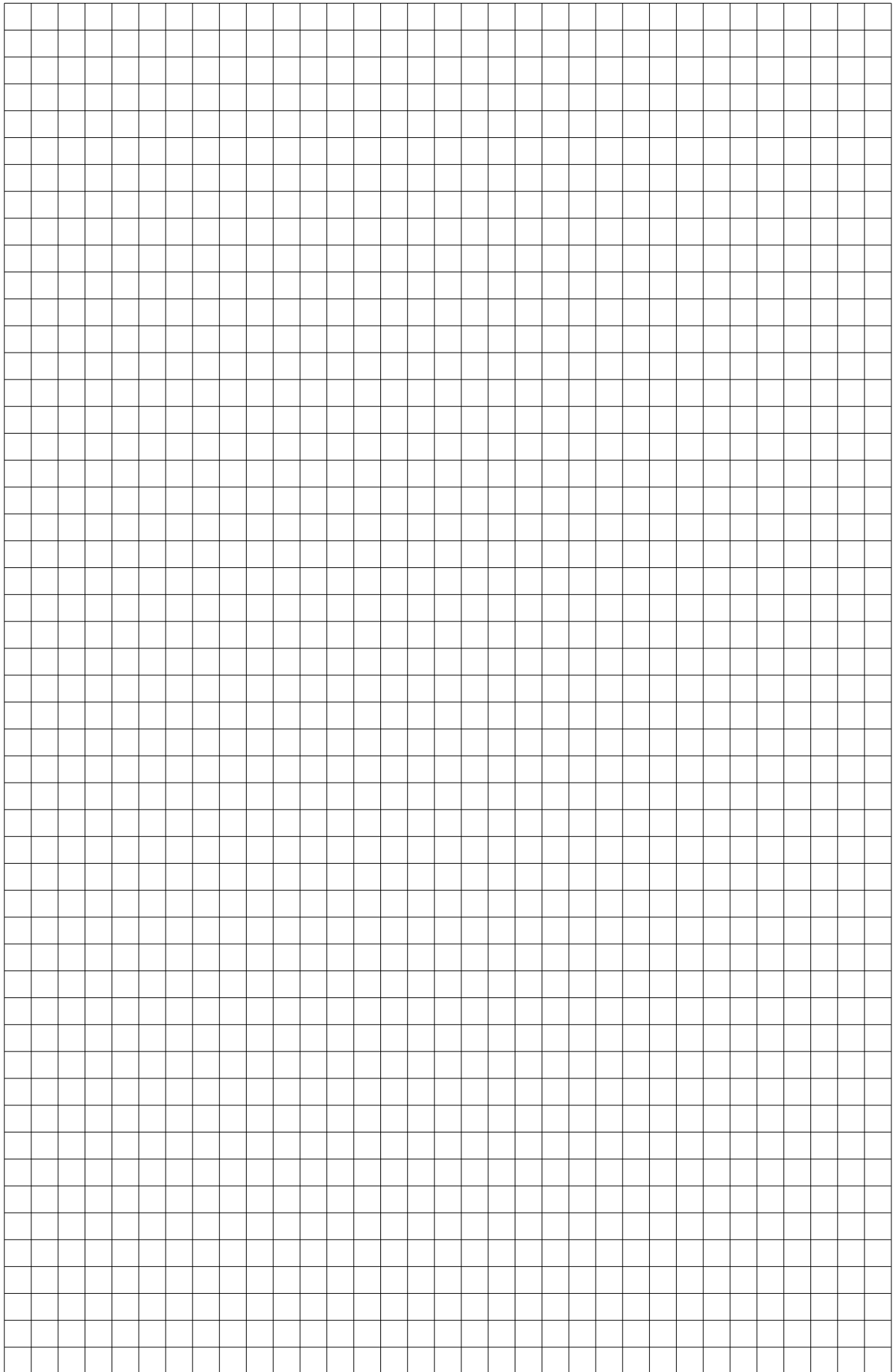
The efficiency and longevity of the system depend directly on the quality of wood used: it is essential that wood with humidity of less than 18% (*) or reconstituted wood briquettes are used. Green wood with drying-out time of less than 24 months cannot be used (more information in the "fuels" section on pages 8 and 9 of the directions for use).

THE INSTALLATION ENGINEER (name written out in full and signature).....

THE CUSTOMER (name written out in full and signature)

Instructions and recommendations for lighting, using and looking after the stove given to the user.

* www.nfboisdechauffage.org



CONTACTS

Stûv stoves are designed and manufactured in Belgium by:

Stûv sa
rue Jules Borbouse 4
B-5170 Bois-de-Villers (Belgium)
info@stuv.com – www.stuv.com

Importer for Finland

Ilkka Alatarvas OY
Pikkujärventie 4B
01680 Vantaa
T 400 872 858
www.takkamaailma.com

Importer for Sweden

Eldoform Sverige AB
Slipgatan 2 – 117 39 Stockholm
T 0707 883 53 – www.eldoform.se

Importer for Denmark

Stove APS
Aldershvilevej 84 – 2880 Bagsvaerd
T 51 33 10 93

Importer for Estonia

Tulering Kaminasalong Oü
Sopruse 145 – 13417 Tallinn
T +372 56 249 004 - www.tulering.ee

installation instructions Stûv 6 [en]

07/2020

SN 60x65: 209427 -...

SN 70x73: 209576 -...

SN 80x80: 209726 -...

Stûv reserves the right to make changes without prior notice.

These instructions have been produced with the greatest of care. However, we do not accept responsibility for any errors that may have been made.

Editor: Gérard Pitance – rue Jules Borbouse 4 – 5170 Bois-de-Villers – Belgium

[nl] [de] [it] [es] [pt] [cz] [en] [fr] >

This document is available in several languages:

Contact your distributor or visit www.stuv.com