

TO GIVE TO THE USER

stûv

directions for use [en]  
Stûv 16-cube, Stûv 16-H & Stûv 16-in

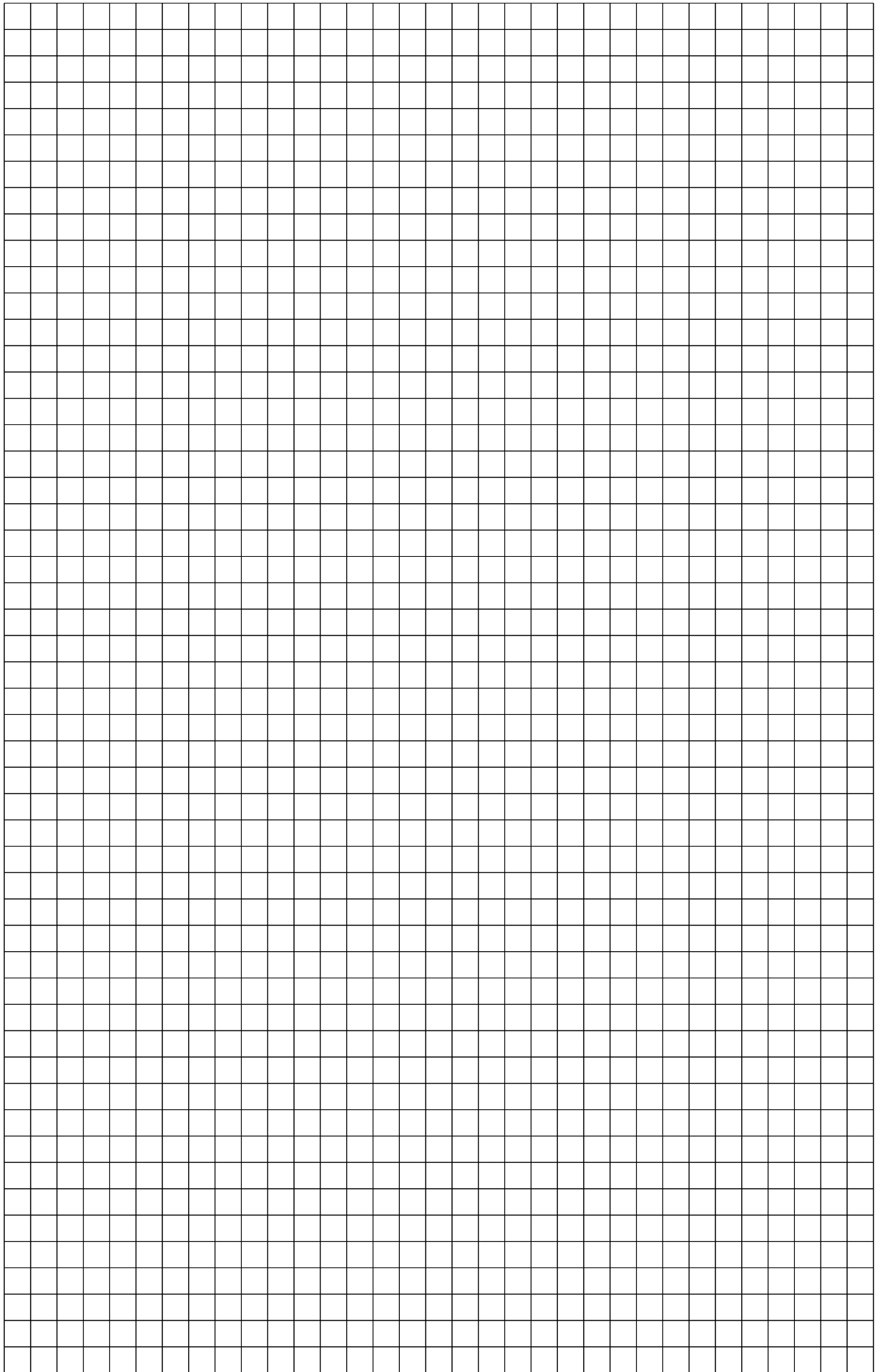
01/2018 - 16-cube: SN 174001 > ...

16-in: SN 172811 > ...

Thank you for choosing a Stûv stove.

Your fireplace was designed to offer you pleasure, comfort and safety. It was built and assembled with the greatest care. If it should not, please contact your retailer.

<b>Contents</b>	
<b>PRESENTATION OF THE PRODUCT</b>	<b>4</b>
Stûv 16-in – Standards, certification and technical specifications	4
Stûv 16-in – Dimensions	5
Stûv 16-cube – Standards, certification and technical characteristics	6
Stûv 16-cube – Dimensions	7
Recommandations	8
How does your Stûv 16 work?	8
Fuel	9
<b>USE</b>	<b>11</b>
Recommandations	11
Basic usage	12
Initial cautions	12
Lighting the fire	13
Maintaining the fire	14
Putting out the fire	15
<b>MAINTENANCE</b>	<b>16</b>
Regular maintenance	16
Annual maintenance	17
Chimney-sweeping	20
In case of problems...	21
Annual maintenance	22
<b>THE EXTENSION OF THE STÛV GUARANTEE: A SIMPLE PROCEDURE FOR MORE PEACE OF MIND.</b>	<b>24</b>
<b>GUARANTEE FORM</b>	<b>25</b>
<b>STÛV 16-IN EC – DECLARATION OF CONFORMITY</b>	<b>28</b>
<b>STÛV 16-CUBE EC – DECLARATION OF CONFORMITY</b>	<b>29</b>
<b>CONTACTS</b>	<b>31</b>



## PRESENTATION OF THE PRODUCT


### Stûv 16-in – Standards, certification and technical specifications


The Stûv 16-in stoves (for intermittent operation) comply with the requirements of EN European Standards in terms of efficiency, gas emissions, safety etc....


Data provided in this notice are supplied by a certified laboratory.



### Test results according to EN 13229: 2001 and 13229-A2: 2004 standards (built-in stoves)


<b>Stûv sa</b> <b>B-5170 Bois-de-Villers (Belgium)</b>
QA161322918 EN 13229: 2001 / A2: 2004
<b>Wood insert Stûv 16/58-in</b>
Minimum insulation thickness with regard to potentially combustible materials (conductibility of the insulating material used at 400°C = 0,11 W/mK): – behind: 3 cm – on the sides: 3 cm – below: <b>non-combustible</b> floor – above: 9 cm
Recommended fuel: wood logs only
CO emissions: < 0.09%
Average smoke temperature at rated power: 283°C
Nominal heat power: 7 kW
Efficiency: 78%
Particle emissions: 11 mg/Nm <sup>3</sup>
Please read the installation instructions and directions for use!


<b>Stûv sa</b> <b>B-5170 Bois-de-Villers (Belgium)</b>
QA161322918 EN 13229: 2001 / A2: 2004
<b>Wood insert Stûv 16/68-in</b>
Minimum insulation thickness with regard to potentially combustible materials (conductibility of the insulating material used at 400°C = 0,11 W/mK): – behind: 3 cm – on the sides: 3 cm – below: <b>non-combustible</b> floor – above: 9 cm
Recommended fuel: wood logs only
CO emissions: < 0.10%
Average smoke temperature at rated power: 281°C
Nominal heat power: 7,5 kW
Efficiency: 77%
Particle emissions: 19 mg/Nm <sup>3</sup>
Please read the installation instructions and directions for use!


<b>Stûv sa</b> <b>B-5170 Bois-de-Villers (Belgium)</b>
QA161322918 EN 13229: 2001 / A2: 2004
<b>Wood insert Stûv 16/78-in</b>
Minimum insulation thickness with regard to potentially combustible materials (conductibility of the insulating material used at 400°C = 0,11 W/mK): – behind: 9 cm – on the sides: 10 cm – below: <b>non-combustible</b> floor – above: 9 cm
Recommended fuel: wood logs only
CO emissions: < 0.09%
Average smoke temperature at rated power: 318°C
Nominal heat power: 8 kW
Efficiency: 75%
Particle emissions: 13 mg/Nm <sup>3</sup>
Please read the installation instructions and directions for use!

Other technical characteristics

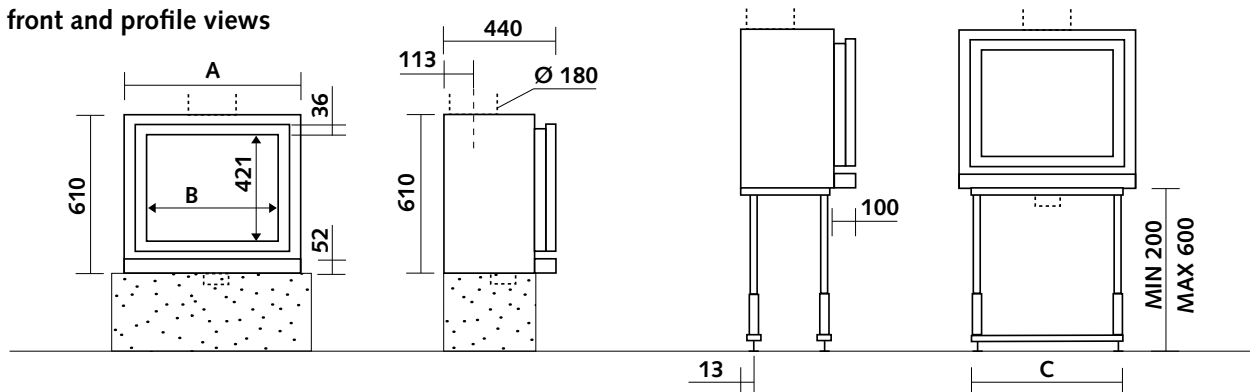
	Stûv 16/58-in	Stûv 16/68-in	Stûv 16/78-in
Minimum draught needed to obtain the rated calorific output	12 Pa	12 Pa	12 Pa
Weight-flow ratio of smokes	7 g/s	7,8 g/s	8 g/s
Flue spigot	431°C	424°C	447°C
Minimum diameter of the duct for the intake of outside combustion air	63 mm	63 mm	63 mm
Optimum output range for usage	5-8 kW	5-9 kW	6-10 kW
Range of wood consumption per hour recommended (at 12% humidity)	1,4-2,3 kg	1,5-2,6 kg	1,8-3,0 kg
Maximum limit for consumption of wood per hour (to avoid overheating the system)	3,2 kg/h	3,4 kg/h	4 kg/h
Maximum length of logs in horizontal position	40 cm	50 cm	60 cm
System mass	91 kg	102 kg	112 kg

Stûv 16-in – Dimensions

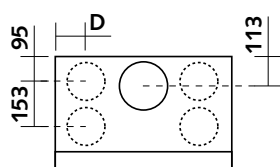
view from below



front and profile views



view from above



	A	B	C	D
Stûv 16/58-in	580 mm	448 mm	570 mm	105 mm
Stûv 16/68-in	680 mm	548 mm	670 mm	130 mm
Stûv 16/78-in	780 mm	648 mm	770 mm	130 mm

The Stûv 16-cube stoves (for intermittent operation) comply with the requirements of EN European Standards in terms of efficiency, gas emissions, safety etc....

Data provided in this notice are supplied by a certified laboratory.

*The Stûv 16-H stove is technically made up of a Stûv 16-cube positioned on a base. All the instructions concerning the Stûv 16-cube therefore also apply to the Stûv 16-H.*



**Test results according to EN 13240: 2001 and 13240-A2: 2004 standards (stoves)**

**CE**

---

**Stûv sa**  
**B-5170 Bois-de-Villers (Belgium)**

---

QA161322918  
 EN 13240: 2001 / A2: 2004

---

Wood stove **Stûv 16/58-cube**

Minimum safety distance from adjacent **combustible materials**:

- behind: 35 cm
- on the sides: 25 cm
- below: **non-combustible** floor

Recommended fuel: wood logs only

CO emissions: < 0.09%

Average smoke temperature at rated power: 283°C

Nominal heat power: 7 kW

Efficiency: 78%

Particle emissions: 11 mg/Nm<sup>3</sup>

Please read the installation instructions and directions for use!

**CE**

---

**Stûv sa**  
**B-5170 Bois-de-Villers (Belgium)**

---

QA161322918  
 EN 13240: 2001 / A2: 2004

---

Wood stove **Stûv 16/68-cube**

Minimum safety distance from adjacent **combustible materials**:

- behind: 30 cm
- on the sides: 15 cm
- below: **non-combustible** floor

Recommended fuel: wood logs only

CO emissions: < 0.10%

Average smoke temperature at rated power: 281°C

Nominal heat power: 7,5 kW

Efficiency: 77%

Particle emissions: 19 mg/Nm<sup>3</sup>

Please read the installation instructions and directions for use!

**CE**

---

**Stûv sa**  
**B-5170 Bois-de-Villers (Belgium)**

---

QA161322918  
 EN 13240: 2001 / A2: 2004

---

Wood stove **Stûv 16/78-cube**

Minimum safety distance from adjacent **combustible materials**:

- behind: 30 cm
- on the sides: 15 cm
- below: **non-combustible** floor

Recommended fuel: wood logs only

CO emissions: < 0.09%

Average smoke temperature at rated power: 318°C

Nominal heat power: 8 kW

Efficiency: 75%

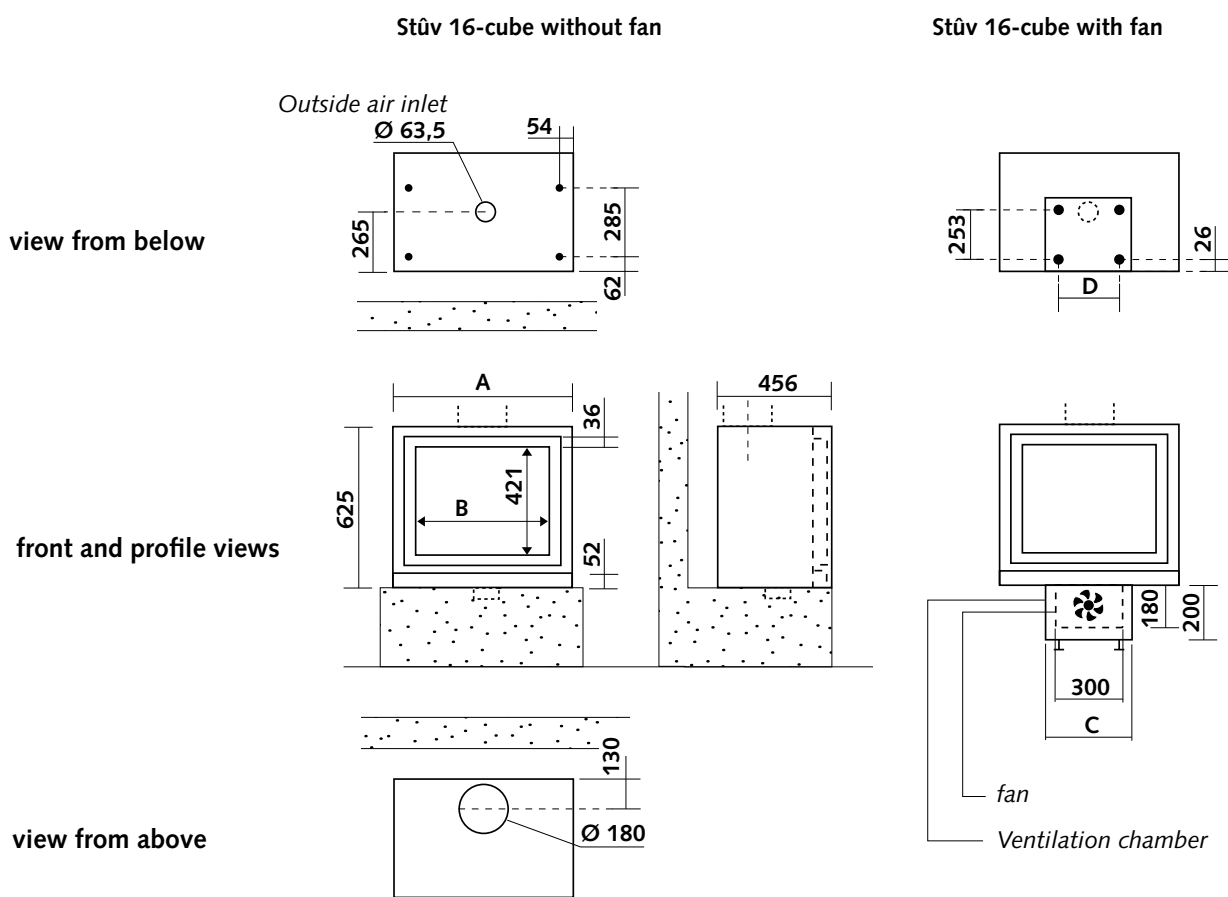
Particle emissions: 13 mg/Nm<sup>3</sup>

Please read the installation instructions and directions for use!

Other technical characteristics

	Stûv 16/58-cube	Stûv 16/68-cube	Stûv 16/78-cube
Minimum draught needed to obtain the rated calorific output	12 Pa	12 Pa	12 Pa
Weight-flow ratio of smokes	7 g/s	7.8 g/s	8 g/s
Flue spigot	431°C	424°C	447°C
Minimum diameter of the duct for the intake of outside combustion air	63 mm	63 mm	63 mm
Optimum output range for usage	5-8 kW	5-9 kW	6-10 kW
Range of wood consumption per hour recommended (at 12% humidity)	1.4-2.3 kg	1.5-2.6 kg	1.8-3.0 kg
Maximum limit for consumption of wood per hour (to avoid overheating the system)	3.2 kg/h	3.4 kg/h	4 kg/h
Maximum length of logs in horizontal position	40 cm	50 cm	60 cm
System mass Stûv 16-cube	105 kg	113 kg	121 kg
System mass Stûv 16-H	136 kg	147 kg	158 kg
Weight of Stûv 16-up stove	113 kg	122 kg	130 kg

Stûv 16-cube – Dimensions



	A	B	C	D
Stûv 16/58-cube	580	448	340	288
Stûv 16/68-cube	680	548	540	512
Stûv 16/78-cube	780	648	540	512

## Recommendations

We strongly recommend you entrust the installation of this Stûv to a qualified professional who is able to ensure that the characteristics of the smoke flue correspond to the stove installed.

The installation of the stove, its accessories and surrounding materials must adhere to all regulations (local and national) and all standards (national and European).

Some national and local regulations require the installation of an access flap in the connection between the stove and the smoke flue.

The stove has to be installed in such a way as to facilitate access to sweep the stove, the connection duct and the smoke flue.

Any modification made to the system may be dangerous and will invalidate the guarantee.

## How does your Stûv 16 work?

### It heats!

When the stove is working (i.e. when the lighting stage is finished) the bed of embers will glow and the logs will produce large flames. The temperature in the combustion chamber [a] is very high and the heat dissipates in two ways:

- by radiation through the glass door,
- also by convection: the air circulates in the double wall [b] around the combustion chamber and reheats before dissipating around the room [c].

### Conserving heat

The flue [d] is full of hot gases that are much lighter than the air outside and therefore rise out of the flue that is holding them. The flue therefore literally sucks in the gases contained in the stove. However, it is important that the gases and the heat that they contain do not escape too easily from the flue.

Two mechanisms stop them :

- Firstly, the air needed for combustion cannot get into the stove unless the regulator lever is used [e] –this allows you to control the quantity needed to obtain the desired rate.
- The hot gases cannot enter directly into the flue: they have to pass through a system of deflectors [f] which form a second bottleneck.

Owing to these bottlenecks, the heat increases in the stove which is one of the objectives aimed at.

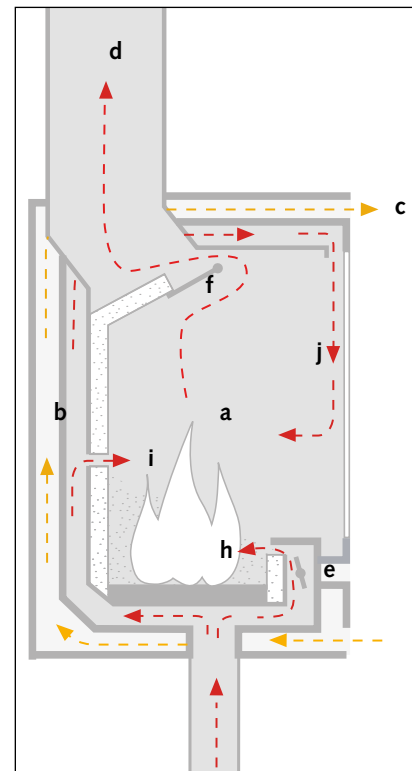
The higher the temperature is, the more fully combustion takes place (better efficiency) and the lower the level of noxious waste.

### Exactly what's required where it's required !

The air required for combustion is strictly reduced to the amount necessary and, when the stove is in operation, it is distributed as follows:

- a small amount feeds the base of the flames [h],
- another quantity enters the combustion chamber through small holes arranged between the bricks [i] at the back of the chamber and ignites the residual gases in the upper part of the stove; this is "post-combustion",
- a final quantity sweeps the glass [j] to prevent smoke from condensing there. This air is also used in "post-combustion".

You determine the rate of the stove by controlling the amount of combustion air using the control valve [f]. This has been designed to optimally distribute airflows in a single action whatever the rate chosen.





**Which wood should you choose ?**

Different kind of wood have different heat capacities and do not burn in the same way.

Generally you should opt for hard wood such as oak, beech, ash, hornbeam or fruit trees. They produce lovely flames and a lot of embers which will glow for a long time.

**Beech [photo 1], ash**

Firewood to be recommended: they dry quickly and are readily available. They should be stored under shelter as soon as they have been cut and split otherwise they rot very quickly and lose their heat capacity. They are easy to ignite, provide dynamic fires and rather bright flames.

**Oak [photo 2]**

An excellent fuel but –contrary to other wood– must remain unsheltered for 2 years so that rain can wash away the tannins it contains. Then it should be stored under shelter for another two years or so before being suitable for burning. There is a significant proportion of sapwood (which burns too quickly) in small branches. Oak burns slowly, provides a quiet fire and gives nice embers. This is ideal for having a barbecue and a fire at a lower rate.

**Hornbeam [photo 3], cherry wood [photo 4], fruit trees**

Excellent fuels but scarce. These are hard woods providing nice flames, harmonious, quiet and give nice embers. This is ideal for having a barbecue or a less intense fire.

**Birch [photo 5], lime, chestnut, poplar, robinia, acacia**

These are broad-leaved trees producing soft wood. They provide nice but lively flames and few embers. Wood burns fast and will be used to light or rekindle the fire.

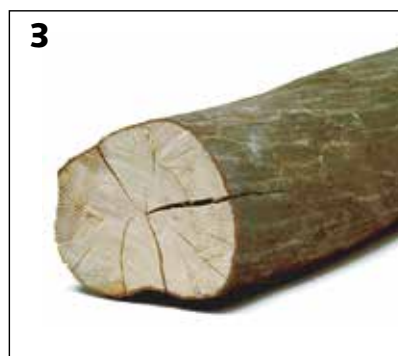
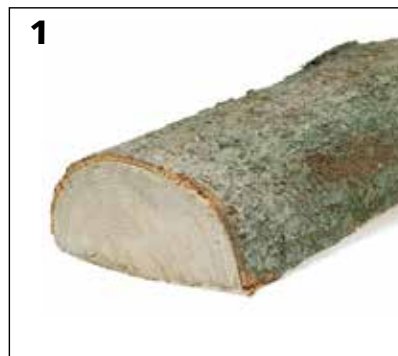
Warning: Poplar produces abundant and volatile embers. Robinia and acacia can cause important ember projections.

**Conifers**

They produce a lot of heat but burn quickly; they sputter embers and the resin they contain foul up the flue. They should be avoided.

**Unsuitable**

Stûv stoves are designed for domestic use, and should never be used for burning waste of any kind. Only burn wood logs; do not burn coal, chipboard, varnished or chemically treated wood or any other fuel not recommended (no liquid fuels). The heat produced by these materials is too intense and can damage your stove (including the glass door which can become cloudy) and cause it to soot up. They give off toxic and polluting emanations.



### Drying

Whatever the wood chosen it should be really dry. Damp wood heats a great deal less and a great part of the energy is used to evaporate the water it contains. The sapwood – as the soft wood just beneath the bark is called – can contain up to 75% of water.

Furthermore, moist wood releases a lot of smoke and not many flames and it causes the fireplace, its window and the flue to get dirty and soot up.

To avoid any energy loss and combustion at a lower rate, Stûv recommends burning wood of over 20% humidity.

Ideally, the wood should be at least 16% humidity [see chart below].

Big logs should be split for the wood to dry better. Wood should be covered or sheltered from the rain, but well ventilated.

Generally you should allow two years for the wood to dry properly. You will soon learn to estimate the dryness of logs by weighing them in your hand. The dryer they are the lighter they will feel, and they will produce a clearer sound when you knock two together.

### Moisture tester

This little accessory, available from your Stûv dealer, accurately tests the quality of the wood and its moisture content.

Before measuring the moisture content, split the log. Take the reading on the freshly split face of the wood. For electrode moisture meters, the electrodes must be pushed into the wood perpendicular to the grain of the wood.

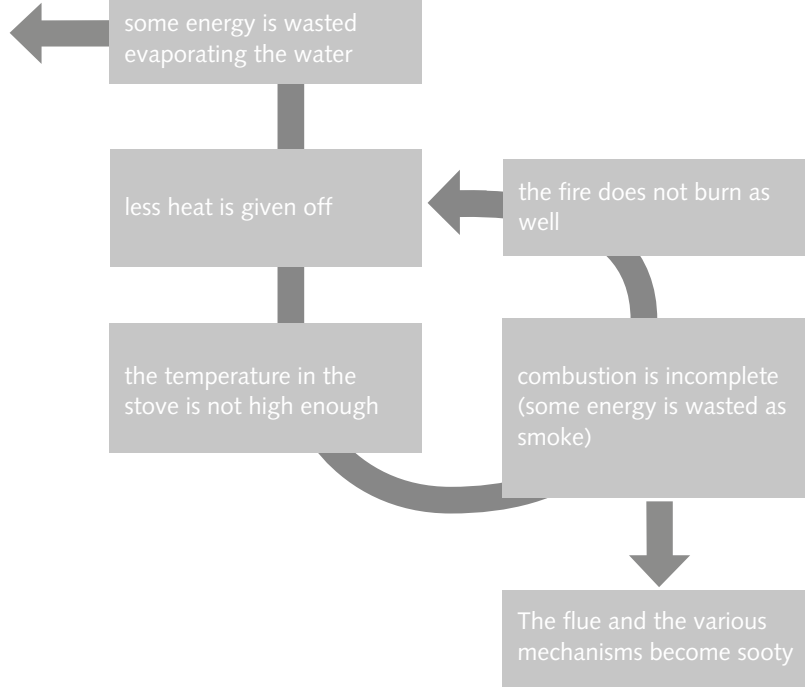


If the log's moisture content is too high...

The table below gives the calorific value (CV) of a 1-kg log according to its moisture content.

Moisture content	CV
10%	16393
15%	15344
20%	14296
25%	13248
30%	12199
35%	11151

This table shows that by burning logs with a moisture content of 30% rather than logs with a moisture content of 10%, there is a 25% energy loss, in other words, the energy of one in four logs is lost!



The vicious circle above illustrates the negative impact of a stove fuelled with wood that is too wet. By burning logs with a moisture content of 30% rather than logs with a moisture content of 10%, 25% of the log's energy is lost and an additional 25% is lost due to the poor operation of the stove.

## Recommendations

### Important!

This stove should have been installed in accordance with good practice guidelines and local and national regulations. A qualified professional should have ensured that the characteristics of the smoke flue and the surroundings are suitable for the stove installed.

Read this user guide carefully and follow the maintenance recommendations.

Complete and return the guarantee certificate [at the end of this document] to us.

### Use

The stoves in the Stûv 16 range are designed to operate with the door closed.

The stove should be used in accordance with local and national regulations and European standards. Some authorities impose or restrict the conditions of use depending on the fuel used. Please bear this in mind.

Some parts of the stove – the glass door and the outside walls – may become very hot even during normal usage (rated power) and significant heat may be radiated from the glass door.

In order to prevent any damage or risk of fire, when the stove is in use, remove all heat-sensitive objects from the radiation area [diagram 1]. Take particular care when you leave the room.

**A floor protection plate is required if the floor in front of the fireplace is made of combustible material.**

Do not leave young children without supervision in the room where the stove is installed.

Ensure the air inlets and outlets are always kept clear.

If provision is made for removable protection for the floor covering, it

must be in place each time the stove is used.

### Repairs / Maintenance

Any modification carried out to the system may cause danger and will invalidate your guarantee. Only use Stûv spare parts in the case of repairs.

### Should a fire in the flue get out of control

Do not open the stove's door during the initial period.

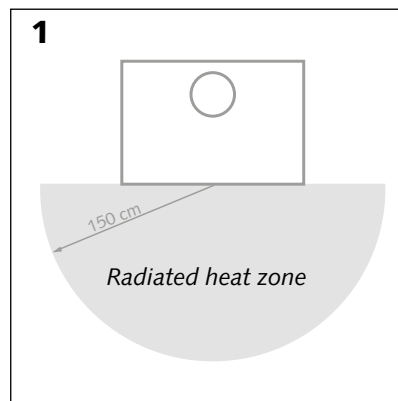
Close the air valve completely using the cold grip [photo 2].

Call the fire brigade.

If the fire has not died down after a few minutes, use a dry powder, soda acid or sand extinguisher (never water).

After a chimney fire, ventilate the room where the stove is situated.

Have the chimney cleaned and inspected by a professional. Have repairs carried out if necessary.



## Basic usage

The stoves in the Stüv 16 range are only designed for use with the door closed.

### Open the door

Use the cold grip to take hold of the lug on the top part of the door [photo 1]

Turn by a quarter of a turn to release the door.



### Access the valve control

Tilt the flap [photo 2]: the valve control and the settings will appear [photo 3].



### If your stove is fitted with a fan,

it can also be equipped with a thermal switch.

This device prevents the operation of the fan if the stove is not hot enough to avoid unpleasant cold air currents.

It is therefore normal for the fan not to start immediately upon lighting and that it stops when the fire goes out.

## Initial cautions

Before lighting the first fire in your new stove, ensure no items used in installation (spray paint, tube of grease, tools) have been left in the combustion chamber or in the bends.

The paint is not oven-baked; it is thus relatively fragile but will harden when heated for the first few times.

Consequently, take care when handling the appliance.

When lighting the fire for the first few times, some smoke or unpleasant odours may be released from the paint, the steel's protective oil or the drying of the bricks. We recommend that you keep your first fire burning

strongly for several hours with the windows open. The paint will harden and the odours will disappear.

The paint of some components inside the combustion chamber will be replaced by a layer of carbon.

### Before lighting

After a period of inactivity, check that there are no obstructions in the system, its ducts or the air inlets and outlets or any mechanical blockages.

### Your Stûv requires air

Your Stûv needs air for combustion. Ideally, your installation engineer will have fitted your stove with a duct that draws the air required for combustion directly from outside.

If an valve has been installed, open this outside air inlet.

If no direct outside connection has been made, provide a sufficient outside air inlet (with a 63 mm Ø or a 32 cm<sup>2</sup> area). This air duct must comply with all applicable local and national regulations.

Always keep this air inlet clear.

Please note that the operation of your stove may be affected (risk of draught-back) if other air consuming systems are installed in the same room (air extractor, kitchen hood, air conditioning system). Create additional air inlets in the room based on their consumption.

### Principle

Start the fire rather briskly to heat up the fireplace and create a good draught.

When the fire is lit, the flue is filled with cold air (heavier than the smoke).

If the fire does not start vigorously enough, the smoke will not get past this bottleneck and the stove will produce a draught-back.

So be generous with the kindling! [photo 1]

### The upside-down fire!

To light the stove, Stûv recommends the upside-down fire technique, which is more environmentally friendly and subsequently results in better combustion.

This technique involves placing a bed of logs in the bottom of the stove and lighting the fire on top of them.

#### The benefits:

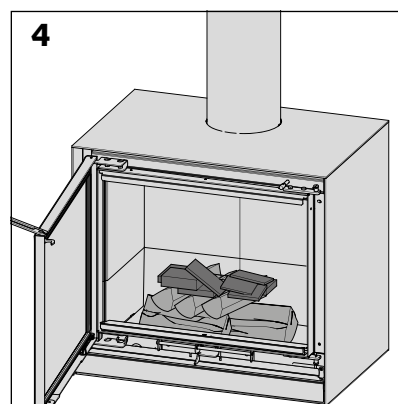
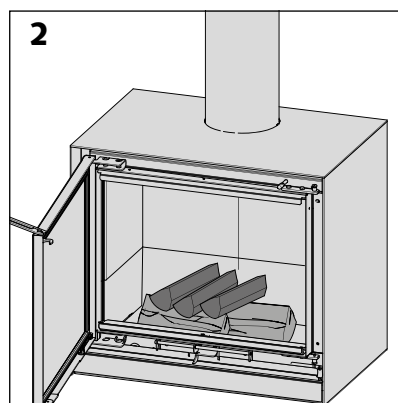
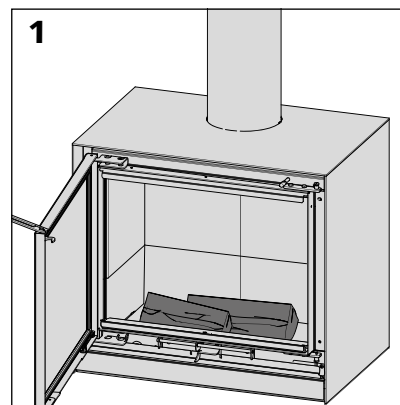
- By placing the logs underneath, you will considerably reduce the amount of smoke generated on lighting the fire, while gradually increasing the temperature.
- Once the logs underneath have caught fire, the gases they release must pass through the flames. These gases rise in temperature and are almost entirely burnt off. The result is less CO and less particulates!
- Using this method, you no longer need to wait for the kindling to be blazing before adding the logs and there is no longer any risk of these collapsing during combustion.
- What's more, you improve the stove's efficiency with more complete combustion.

#### Please note

Place a few logs with a maximum diameter of 10 cm in the floor (bottom) of the stove [photo 1].

Then lay a second layer of small, bark-free logs perpendicular to the bottom layer [photo 2].

Cover with kindling (approximately 1 kg) [photos 3 & 4].



## Lighting the fire (continuation)

Place an eco-friendly firelighter in the kindling [photo 5].

Open the air damper fully [photo 6].

Light.

Leave the door open slightly for 10 to 20 minutes to encourage the draw of air until the fire has taken and then close the door.

Leaving the door open slightly allows the fire to be fed directly with air without going through the normal circuit (valve).

The start phase is complete when the combustion chamber is "clean" (light colour). You can then choose another mode of operation if you wish.

After three-quarters to one hour, select the burn rate desired using the air intake damper.

Start the fan if your stove is fitted with one.

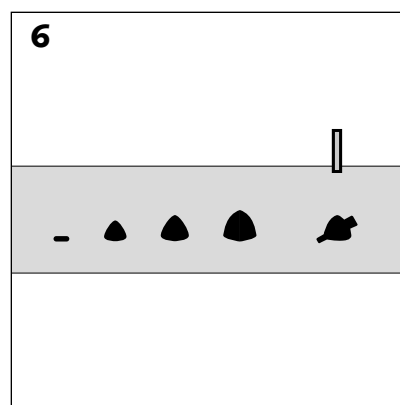
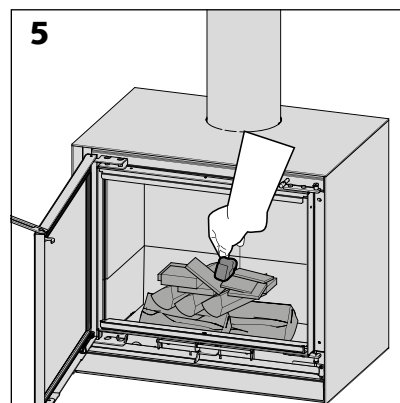
### Note

In certain atmospheric conditions (if the temperature outside is higher than inside), the operation of the flue can be hindered.

Therefore use more paper and kindling wood to heat up the flue and to re-establish the draught.

Combustion is not optimal below a certain rate, the waste is greater, the glass door gets dirty quickly and in some cases there is a risk of the fire going out.

If your stove is fitted with a fan and an electricity failure occurs, reduce the rate by turning the regulator lever to "slow fire down" to avoid overheating.



## Maintaining the fire

Two factors determine the rate of the fire: the quantity of the wood burned and the quantity of the combustion air.

Use normal loads [see wood consumption per hour, page 5 of 7]. After a while, you will find the ideal setting depending on the characteristics of the flue, the room to be heated and your personal preferences.

The weight of the wood is a determining factor as well as the size of the logs: two small logs will burn more quickly than a large one of the same weight because the surface area of the wood exposed to the flame is greater.

### Setting combustion

The regulator lever of your Stûv 16 allows you to control the quantity of air that feeds combustion.

### When and how to reload the stove?

Before reloading, half open the door several centimetres for a few seconds to allow time for the smoke to disperse before opening completely.

The best time to reload is when the logs are only producing small flames sitting on a large bed of embers.

For the new logs to catch alight, they must be heated until they reach their ignition temperature. It is the heat given off by the bed of embers that heats the new load. If you are too late in reloading, the bed of embers will not be able to heat a full load quickly enough. In this case you will have to use a partial load.

A large load on a dying bed of embers will lead to:

- the glass door, the stove and the flue becoming dirty,
- greater pollution.

After reloading, it is advisable to open the valve for a few minutes using the cold grip.

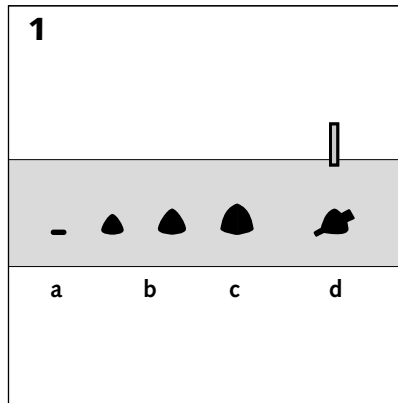


## Maintaining the fire (continuation)

### Settings of the regulator lever

[diagram 1]

- a valve completely closed
- b average rate
- c strong fire
- d lighting – restart (only use when lighting the fire and for a few minutes when reloading until the logs have caught alight).



### Note

To avoid overheating, do not exceed the maximum hourly consumption [see page 5 or 7].

Use wood that is dry. This will help keep the glass door clean. It is wasteful to burn wood with more than 16% humidity!

Avoid resting logs against the glass door as this leaves a mark.

## Putting out the fire

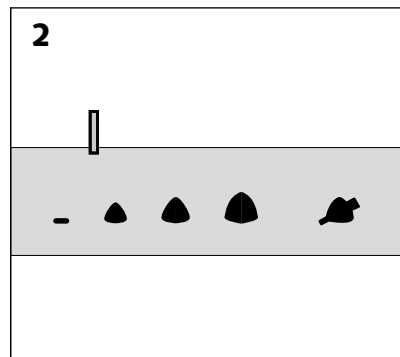
Do not put any more fuel onto the fire.

Reduce the air intake [fig. 2].

Check that the stove is properly closed.

Let the fire die down.

When the fire is out, close the outside air inlet. This will prevent your house from becoming cold.



## Between two fires

Between two fires, closing the outside air inlet and the air intake, it will avoid to cool your house.

In the off-season or for a long period of inactivity, leave the door open to ventilate the interior of your stove and prevent oxidation.

### Regular maintenance

#### Be careful!

Wait until the stove has cooled down completely before carrying out maintenance.

#### Maintenance of the metal components

Use a dry cloth for cleaning.

#### Please note

Clean with a dry rag. A paint spray supplied with the stove means you can retouch the paintwork if necessary. When you do this, start on a test surface to avoid spraying solvent on the old paintwork. The surface to be repainted must be smooth, clean, dry and free from grease. Please also read the instructions on the paint spray.

#### Cleaning the glass

The use of oven cleaning products will cause rapid destruction of the seals. Use cleaning products intended for ordinary glass to clean the inside of the glass door.

Dry the pane thoroughly as smoke settles on greasy residue.

Stûv supplies a product suitable for cleaning very dirty stoves (Is your wood dry enough?). Ask your distributor for advice.

If the glass door is very dirty it can easily be taken off for cleaning. Undo the catch [photo 1], lift the door to take it off its hinges [photo 2].

#### Replacing the door

Replace the door on its hinges

Fasten the spring onto the catch on the stove to close the door again. [photo 3].

#### Removal of ashes

Leave a bed of ashes at the bottom of the stove as this encourages combustion and still contains some fuel.

Ashes must be removed when there is a risk of obstructing the fire's supply of fresh air.

Wait until the ashes have cooled (use a shovel or special vacuum cleaner for ashes) and put them outside in a metal bucket until they have cooled completely.

#### Quick maintenance of the flue

Stûv recommends the use of a product that decomposes soot after every 15 times of use, in particular if you are burning wood that is not particularly dry. Please refer to the instructions for use of the product. Use a product that is compatible with the type of flue.





### Be careful!

Wait until the stove has cooled down completely before carrying out maintenance.

Do not forget to have your chimney swept once a year (see the following section).

### Cleaning of the regulator lever command compartment:

Tilt the flap [photo 1],

Remove the plate [photo 2],

Open the door,

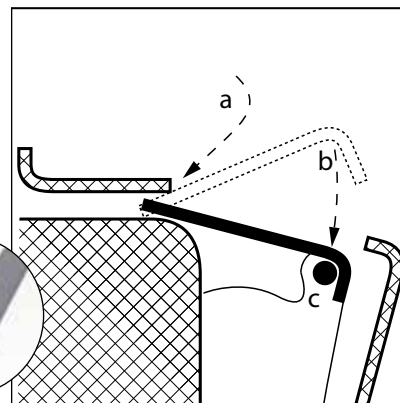
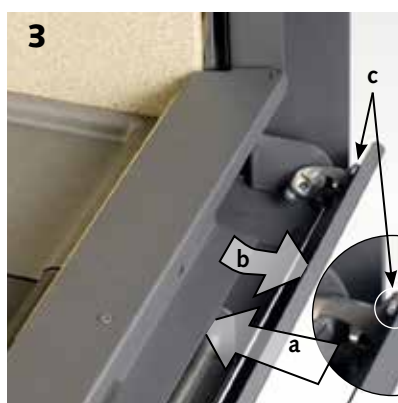
Clean,

Put the graduated tablet back into place. It must be centred in relation to the valve [photo 2].

Put the back edge of the tablet under the valve cover [photo + diagram 3-a].

The front edge of the tablet is inserted between the front part of the flap [photo 3-b] and the 2 lateral screws [photo 3-c].

Close the flap.



### Check the condition of the seals

Check by taking a look.

Even if they appear to be in good condition, the seals may be loose and no longer ensure smoke-proofing; to check, wedge a piece of paper several cm in width into the door [photo 4]; it should remain jammed in the door. Repeat this along the length of the door.

If the paper does not remain jammed, replace the seal.

### Maintenance of the fan

If your stove is fitted with a fan, this has to be cleaned each year before use for heating.

Firstly, disconnect the power supply.

Remove the door (see previous page).

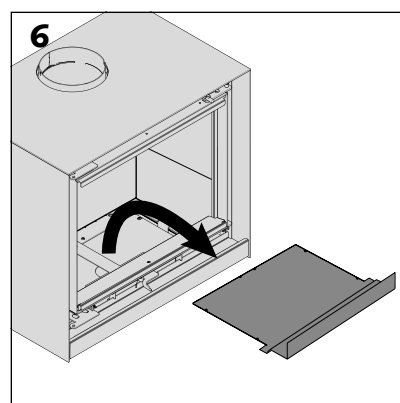
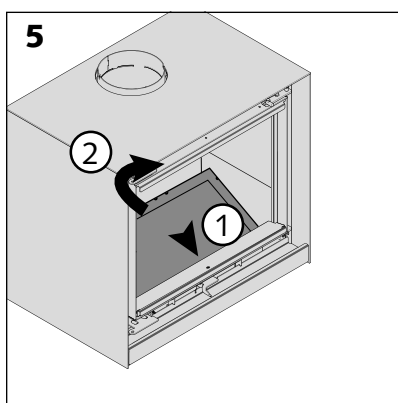
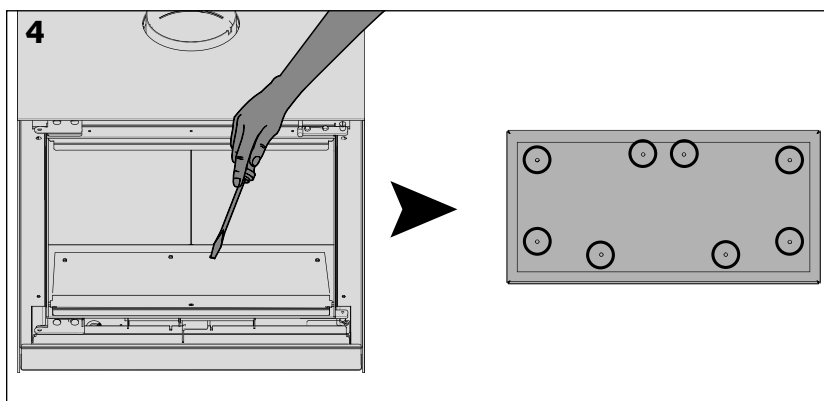
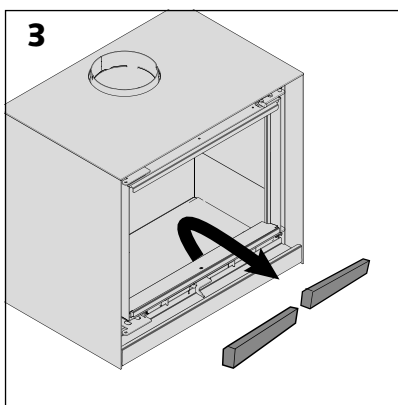
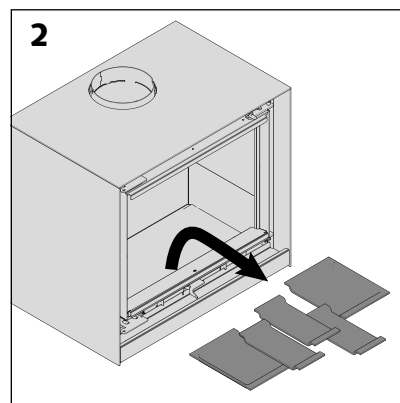
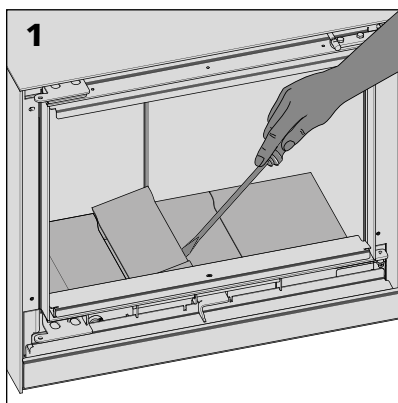
## Annual maintenance (continuation)

Remove the cast iron parts from the base of the stove [fig. 1 and 2].

Remove the refractory parts at valve control level [fig. 3].

Unscrew the 8 screws in the upper plate [fig. 4]. Do not lose the little spacers!

Press on point 1 to lift and easily remove the upper plate [fig. 5 and 6].



Remove the T guide [fig. 7].

Unscrew the middle plate and remove it [fig. 8 and 9].

Unscrew the back plates and remove them [fig. 10, 11 and 12]. Please note that an electronic circuit is attached to the front plate!

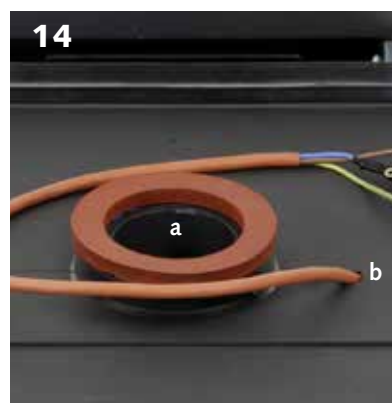
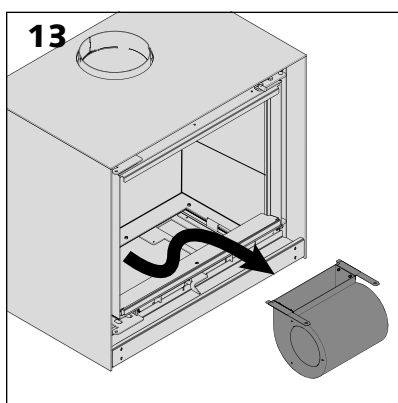
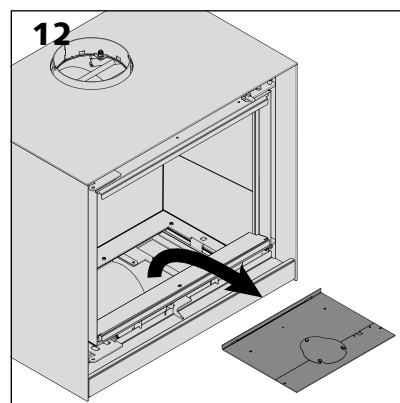
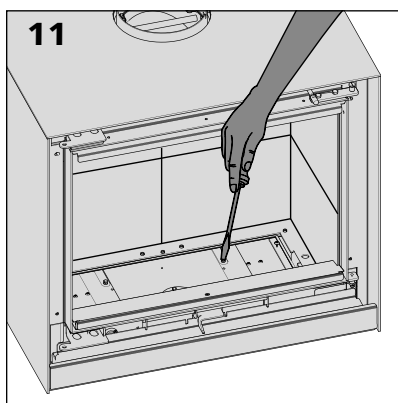
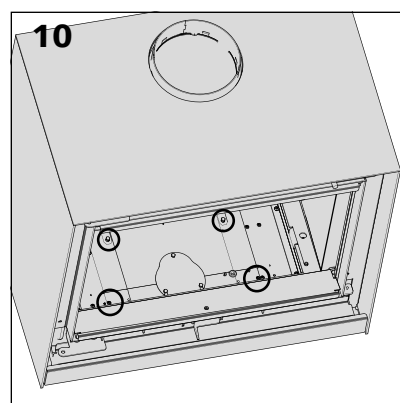
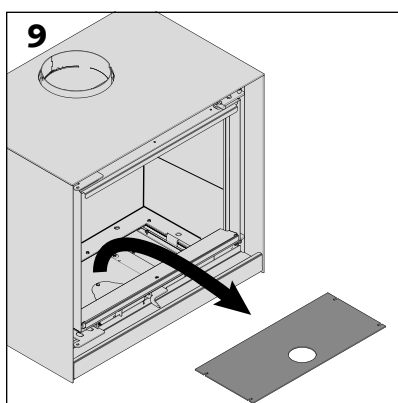
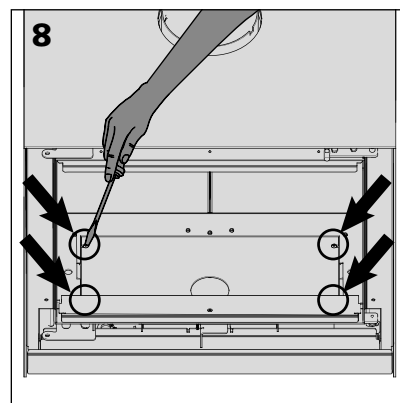
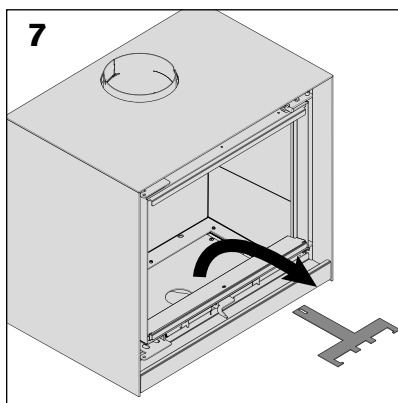
Slide the fan to remove it from the stove [fig. 13].

After cleaning the fan, re-assemble all parts in reverse order.

**Please note**

- Immobilize the opening of the air inlet duct between the 2 back plates if your stove is directly connected to outside air [photo 14-a].

- to protect the electrical cable with its cable guide where it passes between the two lower plates. [photo 14-b].



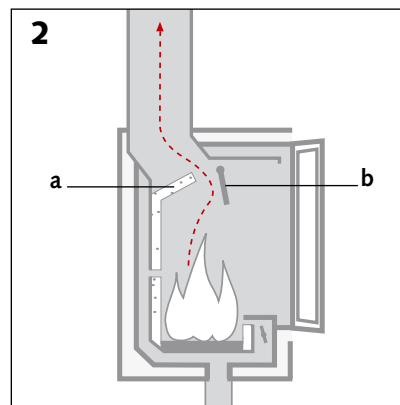
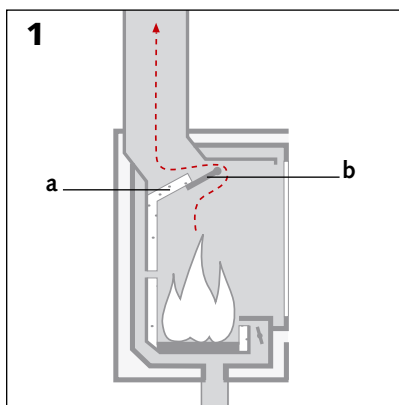
## Chimney-sweeping

Do the sweeping at least once a year in accordance with local and national regulations in force.

Pass on this information to the chimney sweep.

Before carrying out the actual sweeping, Stüv recommends the use of a dose of a fulgent [see "Quick maintenance of the flue" item in the previous section].

Consult the instructions on the product for use. Use a product suitable for the type of chimney flue.



### Dismantling the smoke deflectors

Whatever method is used to sweep the chimney, the smoke deflector elements [diagrams 1 & 2] (the fixed vermiculite deflector [a] and the metal articulated deflector [b]) must be disassembled.

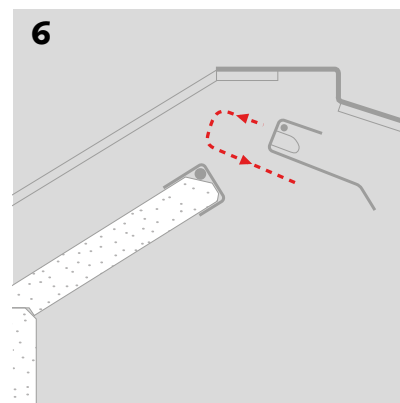
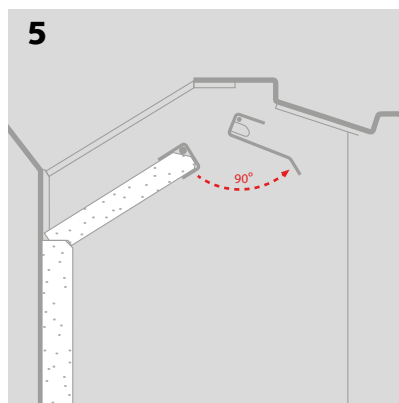
The articulated deflector opens when the door is open [diagram 2]; and is closed when the door itself closes [diagram 1].



### Removal of the articulated deflector

Lift the small rod to slide it out of its buttonholes [pics 3 & 4], push the articulated deflector to free the head of the rod and remove said rod.

Tilt the deflector to the front [diagram 5] then push it to the back to free it from its pivots [diagram 6].



### Removal of the fixed deflector

Remove the nose of the fixed deflector while holding the vermiculite elements [pic. 7].

Carry out the chimney sweeping in accordance with the regulations in your country.

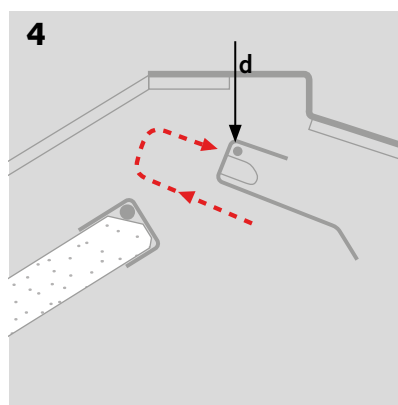
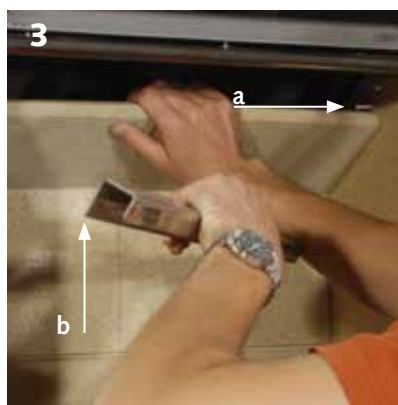
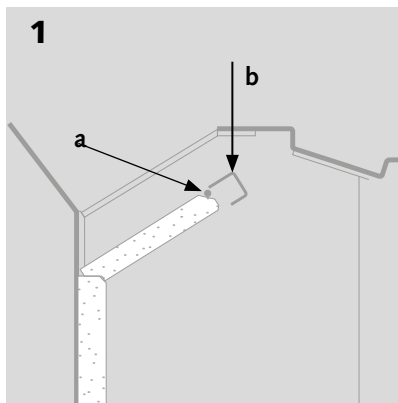


### Reassembling the deflectors

Reposition the vermiculite panels of the fixed deflector following diagram 1; they should abut on either side under the metal lug [diagram 1 a] and [pic. 2]; join them with the metal nose and check that the longest wing is above [diagram 1 b] and [pic. 3 b].

Slide the articulated deflector between its pivot and the nose of the fixed deflector then hang [diagram 4 d] and [pic. 5].

Refit the rod [pic. 6], with its chamfered side towards the front of the stove. Slide both sides into the buttonholes; make sure it works properly: the articulated deflector should close as the door is being shut.



### In case of problems...

Cracked or broken glass door, worn seals, fault with the lining of the combustion chamber,...

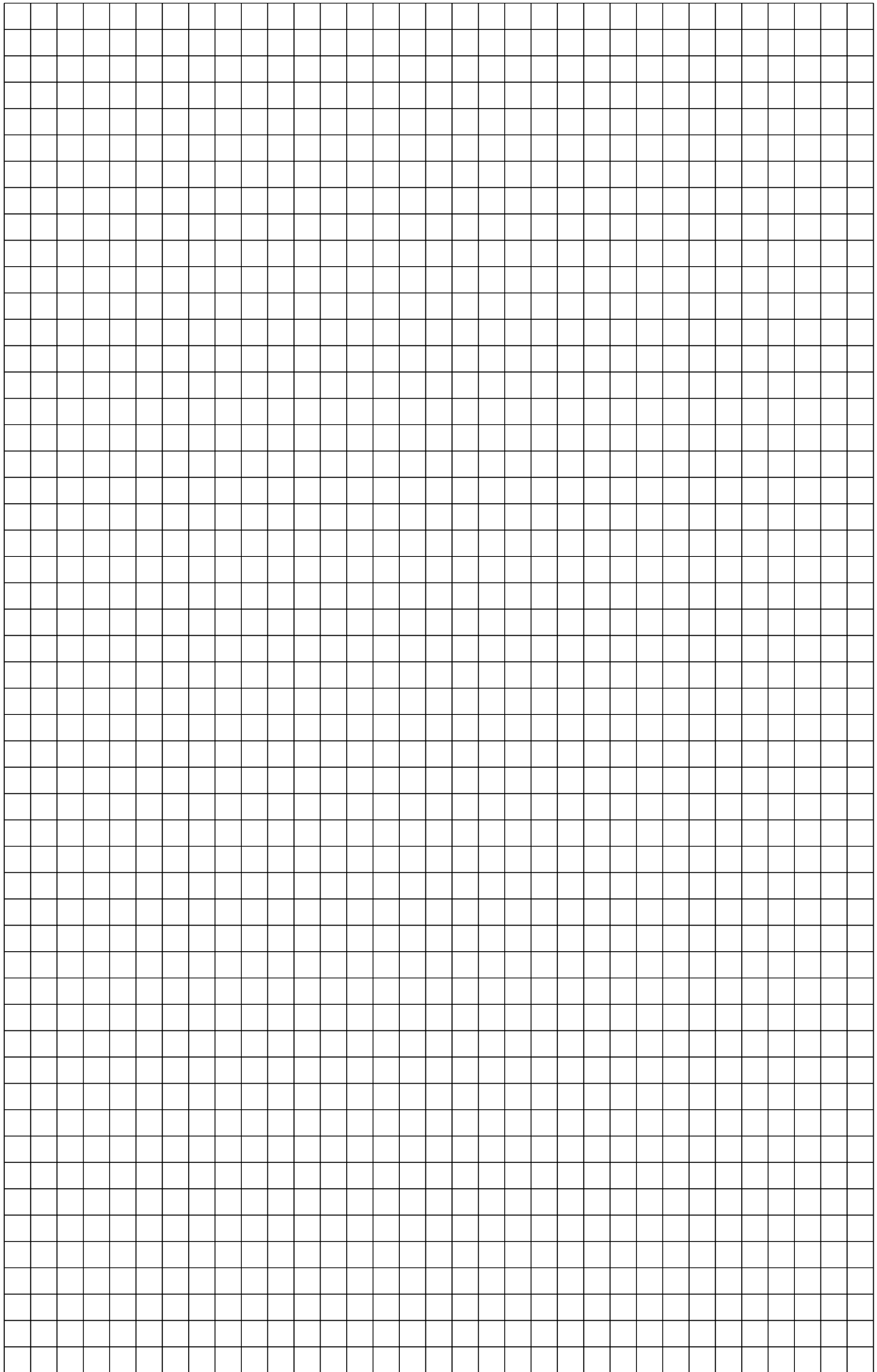
Contact your installation engineer and give him your serial number!

### Serial number

The model and the serial number of your stove are indicated on an information plate attached to the body of the stove.









## THE EXTENSION OF THE STÛV GUARANTEE: A SIMPLE PROCEDURE FOR MORE PEACE OF MIND.

This stove has been designed to give you maximum comfort, output and safety. Every care has been taken during the manufacturing process, using quality materials and components so that you can enjoy it for many years to come.

If, despite our best efforts, a fault should occur, we undertake to resolve it.

If you complete the guarantee form within 30 days, Stûv will offer you an extension to the statutory warranty.

### Stûv extended warranty

Stûv's extended warranty affects any user of a Stûv appliance (end purchaser). It takes effect on the date of the original sales invoice from the seller to the buyer for new stoves (which have not been subject to being exhibited or used). For second-hand stoves, it will run from the date of the original Stûv sales invoice to the seller.

### Duration of the guarantee

The statutory warranty on the components covered is 2 years.

The extended warranty period is

**5** years on the body of the stove

**3** years on the electrical and electronic components (fan, thermostat, switch, wiring, etc.)

**3** years on other components (base grate, door mechanism, hinges, pulleys, runners, clasps,...)

The right to benefit from extension of the guarantee is subject to adherence to the applicable conditions and the accuracy of the information provided to Stûv.

### Extended warranty application conditions



1. Have purchased the stove from one of our official resellers. A list of these is available on our website [www.stuv.com](http://www.stuv.com)



2. Complete the online form on <http://tech.stuv.com/en/wood/warranty/the-stuv-commercial-warranty.html> within 30 days of the date of the invoice for the balance.



Only duly completed forms will be valid.



You will then receive your Stûv warranty certificate, by email, to the address indicated. Keep this document in a safe place. In the event of a problem with your stove, please contact your dealer. You should show them this certificate for the commercial warranty to be effective.



### Stûv stoves are guaranteed against:

- manufacturing faults,
- faults with the paintwork on the visible external parts of the stove



### The statutory warranty and extended warranty do not cover:

- the components subject to wear and tear (e.g. ash removal grille, vermiculite, seals, flame modeller, control key) which have to be replaced from time to time in normal usage,
- the glass,
- damage caused to the stove or operational faults due to:
  - > installation which does not comply with good practice guidelines and the installation instructions and with national and regional regulations in force,
  - > abnormal usage which does not comply with the directions for use instructions,
  - > a lack of maintenance,
  - > external factors, such as flooding, lightning, fire...
  - > local conditions such as draught problems or faults caused by defective ducts.
- damage caused by:
  - > faulty installation,
  - > overheating,
  - > the use of inappropriate fuel.

The guarantee is restricted to the exchange of components recognized as defective excluding replacement, compensation and interest costs. The replacement components supplied under the guarantee are guaranteed for the remainder of the guarantee period.

\* extension of the legal guarantee (of 2 years) to 5/3/3 years subject to adherence to the applicable conditions (see box)





## PERFORMANCE DECLARATION (EU305/2011)

### Stûv 16/58 – CUBE

Domestic heater using solid fuel without a hot water supply  
complying with the EN 13240: 2001 / A2: 2004 standard  
Recommended fuel: wooden logs only

Manufactured by:

#### Stûv s.a

Rue Jules Borbouse, 4 B-5170 Bois-de-Villers  
Tel.: +32(0)81.43.47.96 – Fax: +32(0)81.43.48.74  
info@stuv.com www.stuv.com

Approved certifying body:

0608 – SGS Nederland bv  
Leemansweg 51 NL-6827 BX Amhem

System to assess and check the consistency of performance: 3  
Test report number: EZKA/2016-07/00018-3  
Document number: 10 QA 101324006-EN

This device complies with CE regulations



European standards	EN 13240:2001/A2:2004/AC:2007	
Main features	Performance	
CO emissions	0,09 %	
Smoke temperature at nominal power	283 °C	
Heating power	Nominal:	7 kW
	Distributed in the room:	7 kW
	Distributed in water:	- kW
Output	78 %	
Maximum water pressure when operating	-	
Surface temperature	Pass	
Cleaning capacity	Pass	
Electrical safety	Pass	
Mechanical resistance (for the pipe to withstand)	NPD	
<b>Fire safety</b>		
Reaction to fire	A1	
Minimum distances in relation to combustible materials	Minimum distance to the rear	350 mm
	Minimum distance to the side	250 mm
	Minimum distance above	- mm
	Minimum distance to the front	1500 mm
	Minimum distance in relation to the floor	0 mm
Fire risk after the fall of burning fuel	Pass	

Bois-de-Villers, 2017

Gérard Pitance

Chief Executive and Founder

Jean-François Sidler

Managing Director and Chief Executive

## PERFORMANCE DECLARATION (EU305/2011)

### Stûv 16/58-IN

Fitted device or open fire without a hot water supply  
complying with the EN 13229: 2001 / A2: 2004 standard  
Recommended fuel: wooden logs only

Manufactured by:

#### Stûv s.a

Rue Jules Borbouse, 4 B-5170 Bois-de-Villers  
Tel.: +32(0)81.43.47.96 – Fax: +32(0)81.43.48.74  
info@stuv.com www.stuv.com

Approved certifying body:

0608 – SGS Nederland bv  
Leemansweg 51 NL-6827 BX Arnhem

System to assess and check the consistency of performance: 3

Test report number: EZKA/2016-07/00018-1

Document number: 10 QA 101322906-EN

This device complies with CE regulations



European standards	EN 13229:2001/A2:2004/AC:2007	
Main features	Performance	
CO emissions	0,09 %	
Smoke temperature at nominal power	283 °C	
Heating power	Nominal:	7 kW
	Distributed in the room:	7 kW
	Distributed in water:	- kW
Output	78 %	
Maximum water pressure when operating	-	
Surface temperature	Pass	
Surface temperature	Pass	
Electrical safety	Pass	
Mechanical resistance (for the pipe to withstand)	NPD	
<b>Fire safety</b>		
Reaction to fire	A1	
Minimum distances in relation to combustible materials	Rear insulation thickness	30 mm
	Side insulation thickness	30 mm
	Top insulation thickness	90 mm
	Minimum distance to the front	1500 mm
	Insulation thickness in relation to the floor	0 mm
Fire risk after burning fuel has fallen	Pass	

Bois-de-Villers, 2017

G rard Pitance

Chief Executive and Founder

Jean-Fran ois Sidler

Managing Director and Chief Executive

## PERFORMANCE DECLARATION (EU305/2011)

### Stûv 16/68 – CUBE

Domestic heater using solid fuel without a hot water supply  
complying with the EN 13240: 2001 / A2: 2004 standard  
Recommended fuel: wooden logs only

Manufactured by:

#### Stûv s.a

Rue Jules Borbouse, 4 B-5170 Bois-de-Villers  
Tel.: +32(0)81.43.47.96 – Fax: +32(0)81.43.48.74  
info@stuv.com www.stuv.com

Approved certifying body:

0608 – SGS Nederland bv  
Leemansweg 51 NL-6827 BX Amhem

System to assess and check the consistency of performance: 3  
Test report number: EZKA/2016-07/00018-2  
Document number: 10 QA 101324006-EN

This device complies with CE regulations



European standards	EN 13240:2001/A2:2004/AC:2007
Main features	Performance
CO emissions	0,10 %
Smoke temperature at nominal power	281 °C
Heating power	Nominal: 7,5 kW Distributed in the room: 7,5 kW Distributed in water: – kW
Output	77 %
Maximum water pressure when operating	–
Surface temperature	Pass
Cleaning capacity	Pass
Electrical safety	Pass
Mechanical resistance (for the pipe to withstand)	NPD
<b>Fire safety</b>	
Reaction to fire	A1
Minimum distances in relation to combustible materials	Minimum distance to the rear 300 mm Minimum distance to the side 150 mm Minimum distance above – mm Minimum distance to the front 1500 mm Minimum distance in relation to the floor 0 mm
Fire risk after the fall of burning fuel	Pass

Bois-de-Villers, 2017

Gérard Pitance

Chief Executive and Founder

Jean-François Sidler

Managing Director and Chief Executive

## PERFORMANCE DECLARATION (EU305/2011)

### Stûv 16/68-IN

Fitted device or open fire without a hot water supply  
complying with the EN 13229: 2001 / A2: 2004 standard  
Recommended fuel: wooden logs only

Manufactured by:

#### Stûv s.a

Rue Jules Borbouse, 4 B-5170 Bois-de-Villers  
Tel.: +32(0)81.43.47.96 – Fax: +32(0)81.43.48.74  
info@stuv.com www.stuv.com

Approved certifying body:

0608 – SGS Nederland bv  
Leemansweg 51 NL-6827 BX Amhem

System to assess and check the consistency of performance: 3  
Test report number: EZKA/2016-07/00018-2  
Document number: 10 QA 101322906-EN

This device complies with CE regulations



European standards	EN 13229:2001/A2:2004/AC:2007	
Main features	Performance	
CO emissions	0,10 %	
Smoke temperature at nominal power	281 °C	
Heating power	Nominal:	7,5 kW
	Distributed in the room:	7,5 kW
	Distributed in water:	- kW
Output	77 %	
Maximum water pressure when operating	-	
Surface temperature	Pass	
Surface temperature	Pass	
Electrical safety	Pass	
Mechanical resistance (for the pipe to withstand)	NPD	
<b>Fire safety</b>		
Reaction to fire	A1	
Minimum distances in relation to combustible materials	Rear insulation thickness	30 mm
	Side insulation thickness	30 mm
	Top insulation thickness	90 mm
	Minimum distance to the front	1500 mm
	Insulation thickness in relation to the floor	0 mm
Fire risk after burning fuel has fallen	Pass	

Bois-de-Villers, 2017

Gérard Pitance

Chief Executive and Founder

Jean-François Sidler

Managing Director and Chief Executive

## PERFORMANCE DECLARATION (EU305/2011)

### Stûv 16/78 – CUBE

Domestic heater using solid fuel without a hot water supply  
complying with the EN 13240: 2001 / A2: 2004 standard  
Recommended fuel: wooden logs only

Manufactured by:

#### Stûv s.a

Rue Jules Borbouse, 4 B-5170 Bois-de-Villers  
Tel.: +32(0)81.43.47.96 – Fax: +32(0)81.43.48.74  
info@stuv.com www.stuv.com

Approved certifying body:

0608 – SGS Nederland bv  
Leemansweg 51 NL-6827 BX Amhem

System to assess and check the consistency of performance: 3  
Test report number: EZKA/2016-07/00018-1  
Document number: 10 QA 101324006-EN

This device complies with CE regulations



European standards	EN 13240:2001/A2:2004/AC:2007
Main features	Performance
CO emissions	0,09 %
Smoke temperature at nominal power	318 °C
Heating power	Nominal: 8 kW Distributed in the room: 8 kW Distributed in water: – kW
Output	75 %
Maximum water pressure when operating	–
Surface temperature	Pass
Cleaning capacity	Pass
Electrical safety	Pass
Mechanical resistance (for the pipe to withstand)	NPD
<b>Fire safety</b>	
Reaction to fire	A1
Minimum distances in relation to combustible materials	Minimum distance to the rear 300 mm Minimum distance to the side 150 mm Minimum distance above – mm Minimum distance to the front 1500 mm Minimum distance in relation to the floor 0 mm
Fire risk after the fall of burning fuel	Pass

Bois-de-Villers, 2017

Gérard Pitance

Chief Executive and Founder

Jean-François Sidler

Managing Director and Chief Executive

## PERFORMANCE DECLARATION (EU305/2011)

### Stûv 16/78-IN

Fitted device or open fire without a hot water supply  
complying with the EN 13229: 2001 / A2: 2004 standard  
Recommended fuel: wooden logs only

Manufactured by:

#### Stûv s.a

Rue Jules Borbouse, 4 B-5170 Bois-de-Villers  
Tel.: +32(0)81.43.47.96 – Fax: +32(0)81.43.48.74  
info@stuv.com www.stuv.com

Approved certifying body:

0608 – SGS Nederland bv  
Leemansweg 51 NL-6827 BX Amhem

System to assess and check the consistency of performance: 3  
Test report number: EZKA/2016-07/00018-1  
Document number: 10 QA 101322906-EN

This device complies with CE regulations



European standards	EN 13229:2001/A2:2004/AC:2007
Main features	Performance
CO emissions	0,09 %
Smoke temperature at nominal power	318 °C
Heating power	Nominal: 8 kW Distributed in the room: 8 kW Distributed in water: – kW
Output	75 %
Maximum water pressure when operating	–
Surface temperature	Pass
Surface temperature	Pass
Electrical safety	Pass
Mechanical resistance (for the pipe to withstand)	NPD
<b>Fire safety</b>	
Reaction to fire	A1
Minimum distances in relation to combustible materials	Rear insulation thickness 90 mm Side insulation thickness 100 mm Top insulation thickness 90 mm Minimum distance to the front 1500 mm Insulation thickness in relation to the floor 0 mm
Fire risk after burning fuel has fallen	Pass

Bois-de-Villers, 2017

Gérard Pitance

Chief Executive and Founder

Jean-François Sidler

Managing Director and Chief Executive

**Stuv s.a**

Rue Jules Borbouse, 4  
B-5170 Bois-de-Villers  
info@stuv.com - www.stuv.com

**Stuv s.a**

Rue Jules Borbouse, 4  
B-5170 Bois-de-Villers  
info@stuv.com - www.stuv.com

Model reference:

**Stuv 16-58cube, UP & H**

Model reference:

**Stuv 16-58IN**

Energy efficiency rating	
Direct thermal power	<b>7.0 kW</b>
Indirect thermal power	-
Energy efficiency index	<b>104</b>
Output at rated thermal input	<b>78%</b>
Output at minimum capacity	-
Special precautions that must be taken during assembly, installation or maintenance of the decentralised heating device:  <b>Consult the installation, usage and maintenance instructions</b>	

Energy efficiency rating	
Direct thermal power	<b>7.0 kW</b>
Indirect thermal power	-
Energy efficiency index	<b>104</b>
Output at rated thermal input	<b>78%</b>
Output at minimum capacity	-
Special precautions that must be taken during assembly, installation or maintenance of the decentralised heating device:  <b>Consult the installation, usage and maintenance instructions</b>	



**Stûv s.a**

Rue Jules Borbouse, 4  
B-5170 Bois-de-Villers  
info@stuv.com - www.stuv.com

**Stûv s.a**

Rue Jules Borbouse, 4  
B-5170 Bois-de-Villers  
info@stuv.com - www.stuv.com

Model reference:

**Stûv 16-68cube, UP & H**

Model reference:

**Stûv 16-68IN**

Energy efficiency rating	<b>A</b>
Direct thermal power	<b>7,5 kW</b>
Indirect thermal power	-
Energy efficiency index	<b>103</b>
Output at rated thermal input	<b>77%</b>
Output at minimum capacity	-
<p>Special precautions that must be taken during assembly, installation or maintenance of the decentralised heating device:</p> <p><b>Consult the installation, usage and maintenance instructions</b></p>	

Energy efficiency rating	<b>A</b>
Direct thermal power	<b>7,5 kW</b>
Indirect thermal power	-
Energy efficiency index	<b>103</b>
Output at rated thermal input	<b>77%</b>
Output at minimum capacity	-
<p>Special precautions that must be taken during assembly, installation or maintenance of the decentralised heating device:</p> <p><b>Consult the installation, usage and maintenance instructions</b></p>	

**Stuv s.a**

Rue Jules Borbouse, 4  
B-5170 Bois-de-Villers  
info@stuv.com - www.stuv.com

**Stuv s.a**

Rue Jules Borbouse, 4  
B-5170 Bois-de-Villers  
info@stuv.com - www.stuv.com

Model reference:

**Stuv 16-78cube, UP & H**

Model reference:

**Stuv 16-78IN**

Energy efficiency rating	<b>A</b>
Direct thermal power	<b>8.0 kW</b>
Indirect thermal power	-
Energy efficiency index	<b>100</b>
Output at rated thermal input	<b>75%</b>
Output at minimum capacity	-
Special precautions that must be taken during assembly, installation or maintenance of the decentralised heating device:	
<b>Consult the installation, usage and maintenance instructions</b>	

Energy efficiency rating	<b>A</b>
Direct thermal power	<b>8.0 kW</b>
Indirect thermal power	-
Energy efficiency index	<b>100</b>
Output at rated thermal input	<b>75%</b>
Output at minimum capacity	-
Special precautions that must be taken during assembly, installation or maintenance of the decentralised heating device:	
<b>Consult the installation, usage and maintenance instructions</b>	

## CONTACTS

### **Stûv stoves are designed and manufactured in Belgium by:**

Stûv sa  
rue Jules Borbouse 4  
B-5170 Bois-de-Villers (Belgium)  
info@stuv.com – www.stuv.com

### **Importer for Finland**

Ilkka Alatarvas OY  
Pikkujärventie 4B  
01680 Vantaa  
T 400 872 858  
www.takkamaailma.com

### **Importer for Sweden**

Eldoform Sverige AB  
Slipgatan 2 – 117 39 Stockholm  
T 0707 883 53 – www.eldoform.se

### **Importer for Denmark**

Stove APS  
Aldershvilevej 84 – 2880 Bagsvaerd  
T 51 33 10 93

### **Importer for Estonia**

Tulering Kaminasalong Oü  
Sopruse 145 – 13417 Tallinn  
T +372 56 249 004 - www.tulering.ee

de uso | instruções de utilização | directions for use | gebrauchsanweisung | návod k použití |  
oi | gebruiksaanwijzing | istruzioni per l'uso | instrucciones de uso | instruções de utilização |  
or use | gebrauchsanweisung | návod k použití | mode d'emploi | gebruiksaanwijzing | istruzio  
instrucciones de uso | instruções de utilização | directions for use | gebrauchsanweisung | náv  
| mode d'emploi | gebruiksaanwijzing | istruzioni per l'uso | instrucciones de uso | instruç  
ão | directions for use | gebrauchsanweisung | návod k použití | mode d'emploi | gebruiksa  
struzioni per l'uso | instrucciones de uso | instruções de utilização | directions for use | geb  
sung | návod k použití | mode d'emploi | gebruiksaanwijzing | istruzioni per l'uso | instruccio  
instruções de utilização | directions for use | gebrauchsanweisung | návod k použití | mode d'  
iiksaanwijzing | istruzioni per l'uso | instrucciones de uso | instruções de utilização | directio  
ebrauchsanweisung | návod k použití | mode d'emploi | gebruiksaanwijzing | istruzioni per l'uso | instruccio  
ciones de uso | instruções de utilização | directions for use | gebrauchsanweisung | návod k  
| mode d'emploi | gebruiksaanwijzing | instrucciones de uso | instruções de utilização | directio  
ions for use | gebrauchsanweisung | návod k použití | mode d'emploi | gebruiksaanwijzing  
er l'uso | instrucciones de uso | instruções de utilização | directions for use | gebrauchsanwe  
k použití | mode d'emploi | gebruiksaanwijzing | instrucciones de uso | instruções de uso |  
e utilização | directions for use | gebrauchsanweisung | návod k použití | mode d'emploi | ge  
jzing | instrucciones de uso | instruções de utilização | directions for use | gebrauchsanwe  
ichsanweisung | návod k použití | mode d'emploi | gebruiksaanwijzing | instrucciones de uso | instruccio  
de uso | instruções de utilização | directions for use | gebrauchsanweisung | návod k použití |  
oi | gebruiksaanwijzing | instrucciones de uso | instruções de utilização | directions for use | geb  
or use | gebrauchsanweisung | návod k použití | mode d'emploi | gebruiksaanwijzing | istruzio  
instrucciones de uso | instruções de utilização | directions for use | gebrauchsanweisung | náv  
| mode d'emploi | gebruiksaanwijzing | instrucciones de uso | instruções de uso | instruç  
ão | directions for use | gebrauchsanweisung | návod k použití | mode d'emploi | gebruiksa  
struzioni per l'uso | instrucciones de uso | instruções de utilização | directions for use | geb  
sung | návod k použití | mode d'emploi | gebruiksaanwijzing | instrucciones de uso | instruccio  
instruções de utilização | directions for use | gebrauchsanweisung | návod k použití | mode d'  
iiksaanwijzing | instrucciones de uso | instruções de utilização | directio  
ebrauchsanweisung | návod k použití | mode d'emploi | gebruiksaanwijzing | instrucciones per  
ciones de uso | instruções de utilização | directions for use | gebrauchsanweisung | návod k  
| mode d'emploi | gebruiksaanwijzing | instrucciones de uso | instruções de utilização | directio  
ions for use | gebrauchsanweisung | návod k použití | mode d'emploi | gebruiksaanwijzing  
er l'uso | instrucciones de uso | instruções de utilização | directions for use | gebrauchsanwe  
k použití | mode d'emploi | gebruiksaanwijzing | instrucciones de uso | instruções de uso |  
e utilização | directions for use | gebrauchsanweisung | návod k použití | mode d'emploi | ge  
jzing | instrucciones de uso | instruções de utilização | directions for use | gebrauchsanwe  
ichsanweisung | návod k použití | mode d'emploi | gebruiksaanwijzing | instrucciones de uso | instruccio  
de uso | instruções de utilização | directions for use | gebrauchsanweisung | návod k použití |  
oi | gebruiksaanwijzing | instrucciones de uso | instruções de utilização | directions for use | geb

printed on 100% recycled paper

# directions for use [en]

## Stûv 16-cube, Stûv 16-H & Stûv 16-in [en]

01/2018 - 16-cube: SN 172811 > ...  
16-in: SN 174001 > ...

---

Stûv reserves the right to make changes without prior notice.  
These instructions have been produced with the greatest of care.  
However, we do not accept responsibility for any errors that may have been made.  
Editor: Gérard Pitance - rue Jules Borbouse 4 - 5170 Bois-de-Villers - Belgium

---

[nl] [de] [it] [es] [pt] [cz] [en] [fr] >  
This document is available in several languages:  
Contact your distributor or visit [www.stuv.com](http://www.stuv.com)