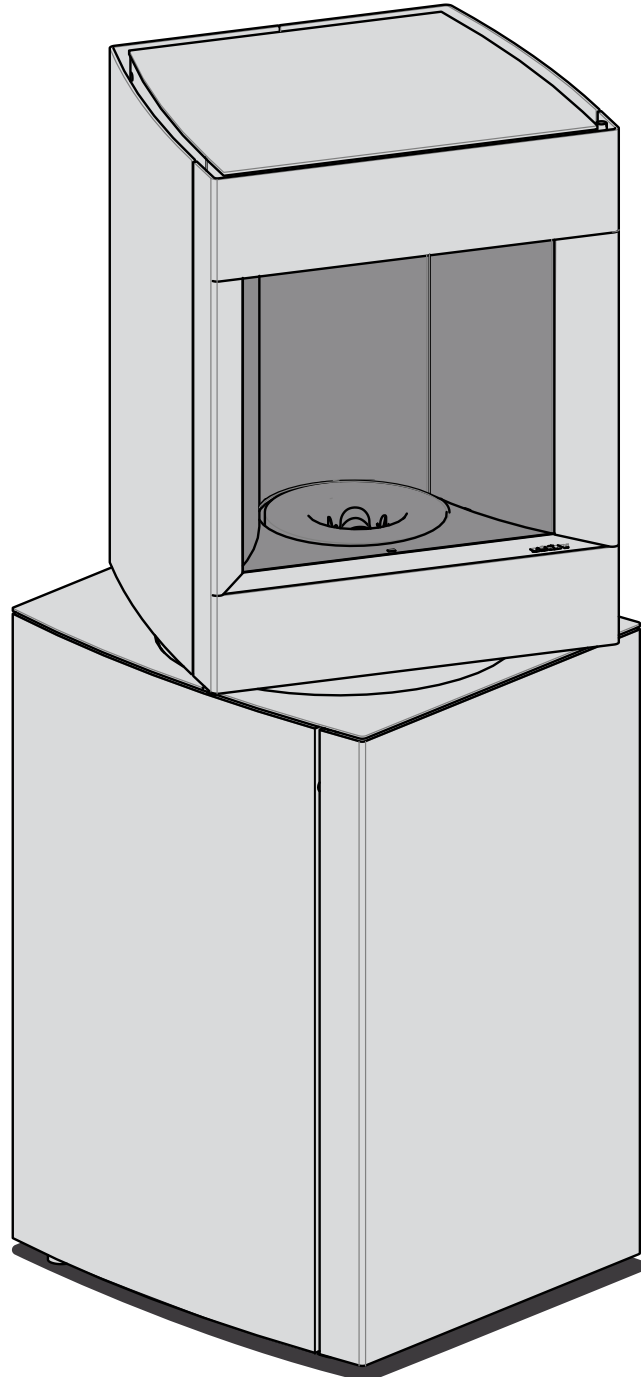


Directions for use

EN

Please see our website for more
information: www.stuv.com

Find us also on:



stuv *P-10*

June 2015
164981 > ...

WELCOME TO THE WORLD OF STÛV!

You have just opted for an eco-friendly, high-performance heating system.

We hope that you enjoy using it from this moment on.

You will find advice and instructions for the use and maintenance of your Stûv in this document.

CONTENTS

| | |
|--|-----------|
| PRESENTATION OF THE PRODUCT | 4 |
| Standards, certification and technical characteristics | 4 |
| Stûv P-10 marking | 5 |
| Materials and main components | 5 |
| Dimensions | 6 |
| Overview of the stove components | 7 |
| How does your Stûv P10 work? | 8 |
| Fuel | 9 |
| USE | 10 |
| General recommendations | 10 |
| Environment | 10 |
| Recommendations before first use | 11 |
| Initial cautions | 12 |
| Basic usage | 12 |
| Managing the remote control | 13 |
| Description of the remote control menu | 14 |
| Lighting the Stûv P-10 | 18 |
| 2 usage modes: manual mode vs. calendar mode | 19 |
| Using manual mode | 19 |
| Using calendar mode | 20 |
| Configuring calendar mode | 21 |
| Shutting down the Stûv P-10 | 23 |
| MAINTENANCE | 24 |
| Daily maintenance | 24 |
| Weekly maintenance | 25 |
| Annual maintenance | 28 |
| Annual maintenance | 29 |
| IN CASE OF PROBLEMS... | 30 |
| Alarm signals | 30 |
| THE EXTENSION OF THE STÛV GUARANTEE: A SIMPLE PROCEDURE FOR MORE PEACE OF MIND. | 36 |
| GUARANTEE FORM | 37 |
| CONTACTS | 39 |

PRESENTATION OF THE PRODUCT

Standards, certification and technical characteristics

The Stûv P-10 stove (for intermittent operation) comply with the requirements of EN European Standards in terms of efficiency, gas emissions, safety etc....

Data provided in this notice are supplied by a certified laboratory.

Results of tests according to EN 14785 standards: 2006
Domestic wood pellet convection heating appliances

Stûv P-10s are covered by:
patent nos.:
EP 2304319
JP 5390603
US 8.904.944
US 8.826.899
+ Patents pending

model drawing nos.:
DM/72417
DM/72418
002500942-0001
002500942-0002



Stûv P-10

| | | |
|--|----------------------------|-------|
| System mass | 175 kg | |
| Nominal heat power: | 8 Kw | |
| Heat output at reduced speed | 2.4 Kw | |
| Minimum diameter of the duct for the intake of outside combustion air (if the stove is not connected to outside air) | 30 cm ² | |
| Efficiency at rated power | 90.5 % | |
| Performance at reduced power | 94.5 % | |
| Average smoke temperature at rated power, at the output of the appliance | 217 °C | |
| Average smoke temperature at reduced power, at the output of the appliance | 94 °C | |
| Minimum safety distance from adjacent combustible materials: | > behind (from the bottom) | 7 cm |
| | > on the sides | 10 cm |
| | > below | 0 cm |
| | > above | 10 cm |
| CO emissions at rated power | 0.001 % | |
| CO emission at reduced power | 0.028 % | |
| Particle emissions (at rated power) | 5 mg/Nm ³ | |
| Weight-flow ratio of smokes (at rated power) | 5.1 g/s | |
| Mass flow of smoke at reduced power | 2.8 g/s | |
| Recommended draught at maximum power | 6 Pa | |
| Recommended draught at minimum power | 3 Pa | |
| Minimum draught at the output of the appliance for flue calculation. | 0 Pa | |

Standards, certification and technical specifications (continued)


Requirements relating to the electrical power supply

| | |
|---|--------|
| Voltage | 230 V |
| Frequency | 50 Hz |
| Electric power consumption on ignition | 1000 W |
| Electrical power consumption under normal operation | 40 W |

Requirements relating to fuel

| | |
|------------------|----------------------|
| Recommended fuel | Wood pellets only |
| Certification | Din plus, EN plus A1 |
| Diameter | 6 mm |

Stûv P-10 marking

| | | | | |
|---|--|--------------------|--------|---------|
|  | Heating output | P _{nom} | 8.0kW | nominal |
| | | P _{part} | 2.4kW | reduced |
| Stûv S.A Rue Jules Borbouse 4, 5170 Bois-de-Villers 15 Notified Body 1881 Declaration of performance number : 15QA151478501 | Measured CO (at 13% oxygen content) | CO _{nom} | 0.001% | nominal |
| | | CO _{part} | 0.028% | reduced |
| EN 14785 : 2006 Stûv P-10 Read and follow operating instructions | Average temperature of the smoke at the appliance's outlet | T _{nom} | 217° | nominal |
| | | T _{part} | 94° | reduced |
| Version française disponible dans la notice d'utilisation Nederlandse versie beschikbaar in de gebruikersgids Deutsche Version in der Installationsanleitung La versione italiana è disponibile all'interno della guida utente Versión española disponible en el manual del usuario Versão portuguesa disponível no Manual do Utilizador Česká verze je k dispozici v uživatelské příručce Wersja polska dostępna w instrukcji obsługi | Minimum clearance distance from combustible materials | dr | 70mm | rear |
| | | ds | 100mm | sides |
| Use only recommended fuel : Wood pellets diameter 6 mm, quality standard EN plus A1 | Appliance efficiency | η _{nom} | 90.5% | nominal |
| | | η _{part} | 94.5% | reduced |
| Rated input power | | | 1000W | peak |
| | | | 40W | average |
| Rated voltage | | | 230V | |
| Rated frequency | | | 50Hz | |

Materials and main components

The Stûv P-10 consists mainly of:

- > Painted steel sheets/tubes for structural and facing elements
- > The bottom facings are available in a oak-veneered wood panel finish (light or dark)
- > Vermiculite for the inside of the combustion chamber
- > Cast steel for the structural elements of the burner
- > Aluminium for the smoke extraction flue
- > HDPE for the Pellet hopper

> A trim finishing kit is available to trim the bottom facings. In this case, the installer should check that the material chosen corresponds to the use for which it is intended.

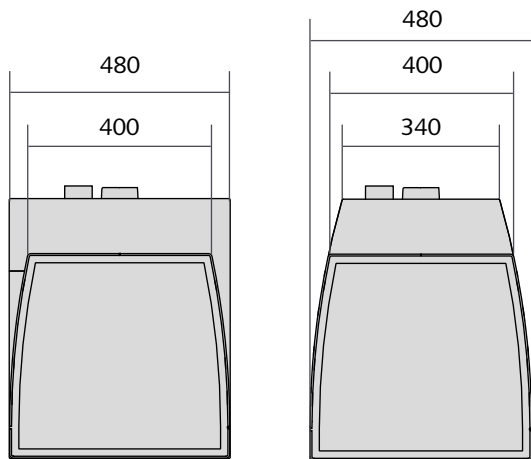
All of these components are deemed to be compliant within tolerances and national practices.

Stûv has a determinedly proactive responsible environmental approach. We think about the end-of-life of our products.

Each of the device's components can be isolated so that sorting can be carried out and therefore optimum recycling.

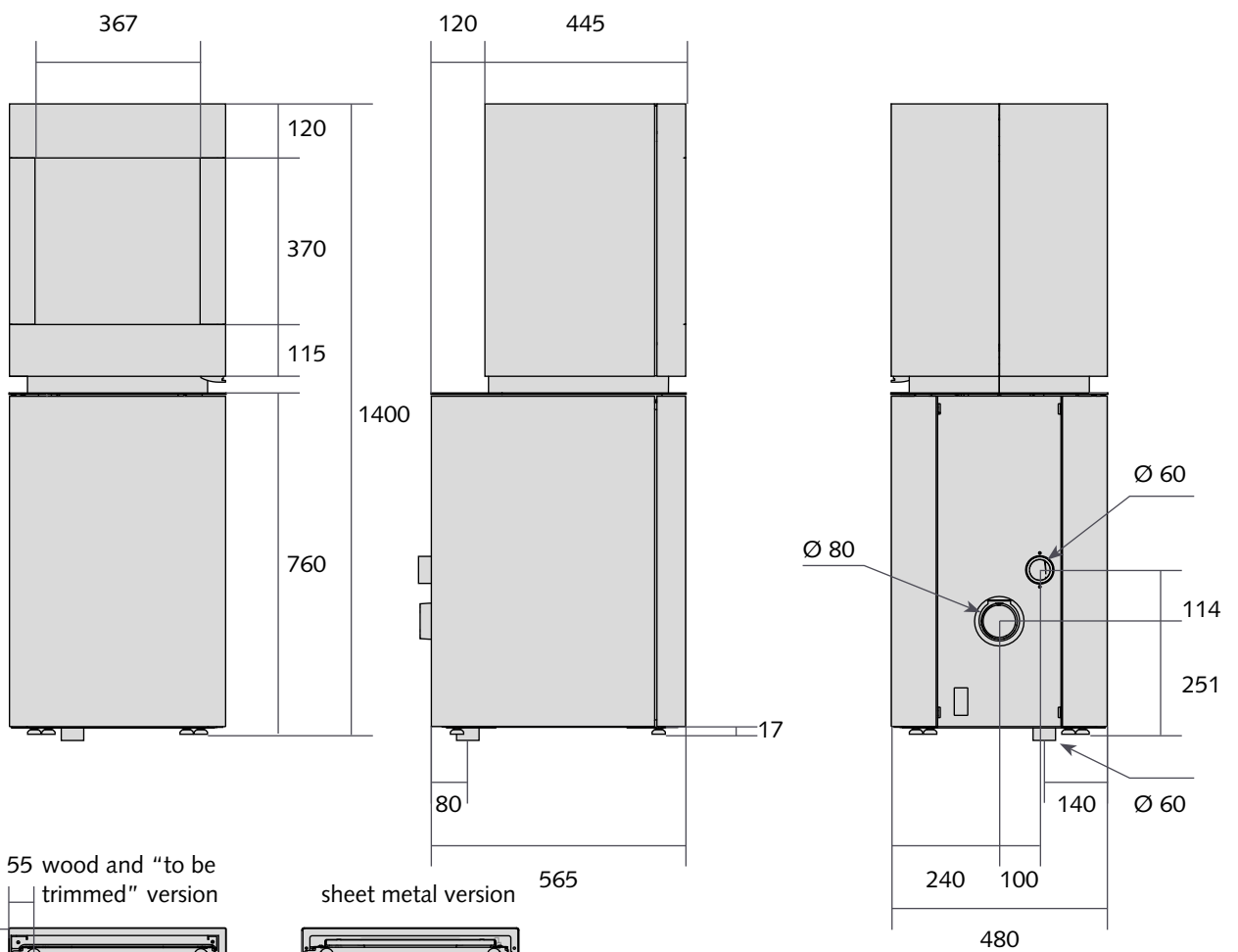
Removal of the various parts must be done in accordance with local and national regulations.

Dimensions



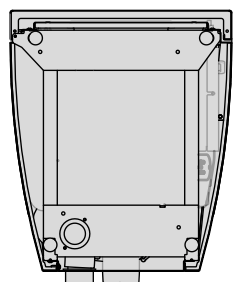
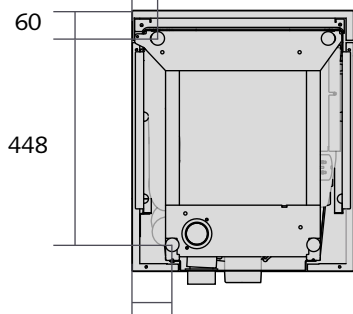
wood and "to be trimmed" version

sheet metal version



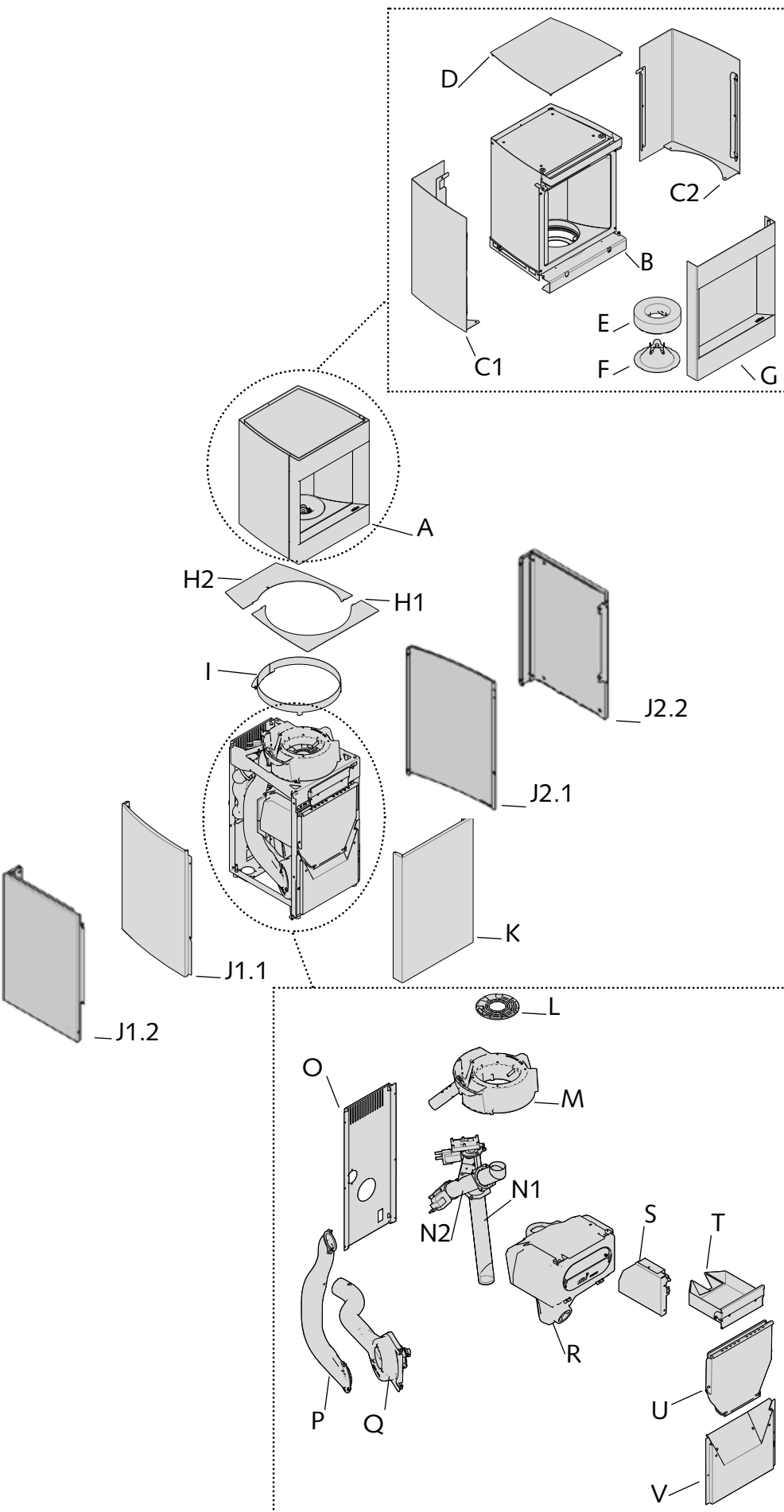
55 wood and "to be trimmed" version

sheet metal version 565



70

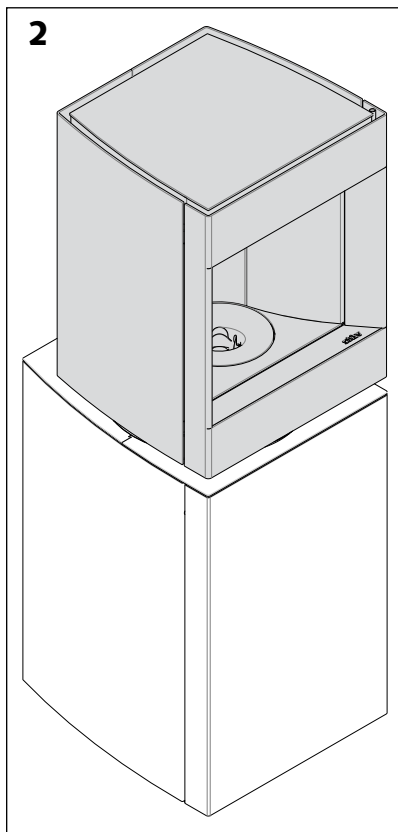
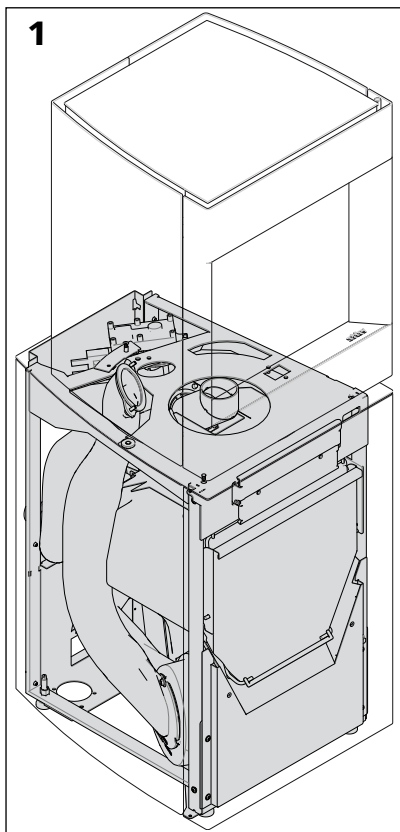
Overview of the stove components



- A. Lantern
- B. Lantern frame
- C.
 - C1. Right-hand lantern facing
 - C2. Left-hand lantern facing
- D. Top shelf
- E. Vermiculite Ring
- F. Flame modeller
- G. Lantern door
- H.
 - H1. Rear shelf
 - H2. Front shelf
- I. Collar
- J.
 - J.1.1 Right facing (metal panel version)
 - J.1.2 Right facing (wood and to be trimmed version)
 - J.2.1 Left facing (metal panel version)
 - J.2.2 Right facing (wood and to be trimmed version)
- K. Bottom door
- L. Grilles
- M. Burner casting
- N.
 - N1. Archimedes screw 1
 - N2. Archimedes screw 2
- O. Rear metal panel
- P. Smoke flue
- Q. Fan body
- R. Pellet hopper
- S. Electronic card
- T. Ashpan
- U. Reloading hatch
- V. Front cover

*Facings are available in two versions. The illustration shows one side of each finish.

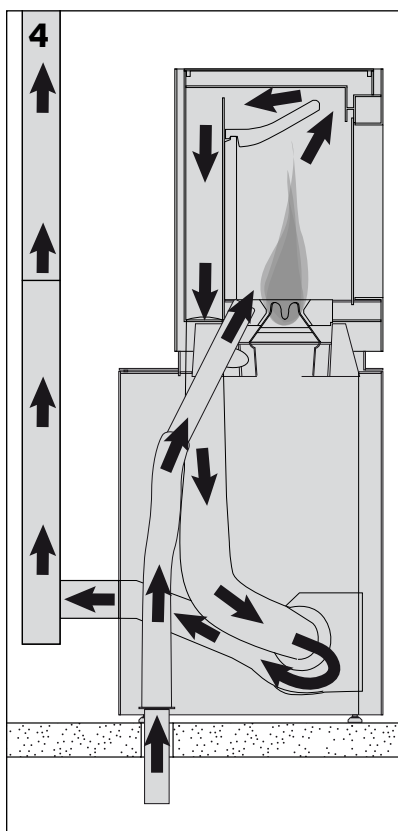
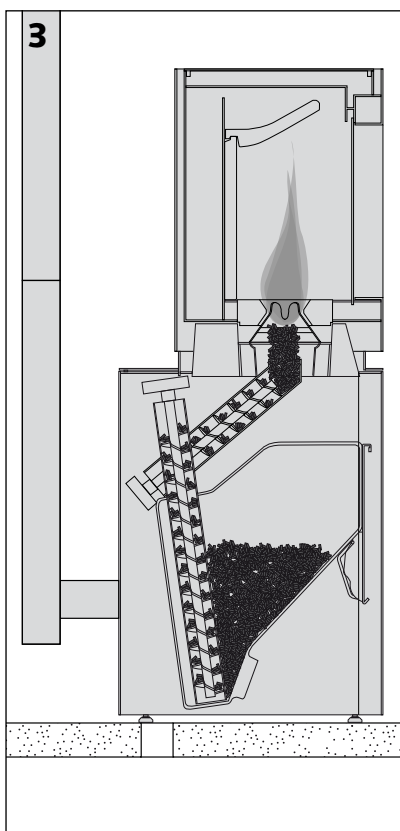
How does your Stûv P10 work?



The Stûv P-10 is a wood pellet stove consisting of two major parts:

- A base containing the pellet hopper, the fuel and combustion feed, smoke extraction and all the electronics and sensors enabling the operation of the appliance to be adjusted and set [diagram 1].

- A pivoting lantern where the burning of the pellets takes place. This top part also radiates and diffuses convection heat; it is fitted with a window which gives a view of a beautiful large flame [diagram 2].



The device has an electronic management system operating on two variables to provide optimal thermal comfort. Depending on the user's requirements, the Stûv P-10 will adjust its output and maintain this by adjusting:

- The quantity of pellets burned [diagram 3]

- The quantity of air supplied to combustion [diagram 4]



What are wood pellets?

Wood pellets are a solid and eco-friendly fuel made from sawmill waste. Sawdust is compressed without glue or binder so as to obtain a standardised cylinder with a high density and low moisture. These characteristics give the granules significant calorific power.

Which pellet should I choose?

The Stûv P10's performance may vary depending on the pellets used. For correct use, the pellets must comply with ENplus or DINplus A1 certifications. These references ensure that the pellets have the following features:

- diameter: 6 mm
- min-max length: 3 - 40 mm
- moisture content: $\leq 10\%$
- ash content: $\leq 7\%$

Pellet storage

Pellets must be stored in a dry

place where the temperature is above 5 °C.

They can be stored in bags or in bulk but avoid storage in the open air.

Caution!

Take care not to crush the bags to avoid producing too much dust. Avoid emptying dust into the machine's hopper as this sawdust can disrupt the feed system.

If you use pellets stored in a bag, after opening the bag, use the contents within a relatively short time. Otherwise there is a risk of the pellets getting damp.

Do not burn any liquid or solid other than pellets that meet the UNI EN 14961-2 standard!

**Every St v P-10 is subjected to a factory check.
There may be traces of combustion or light residues after this test.**

General recommendations

Important!

This stove should have been installed in accordance with good practice guidelines and local and national regulations. A qualified professional should have ensured that the characteristics of the smoke flue and the surroundings are suitable for the stove installed.

Read this user guide carefully and follow the maintenance recommendations.

Complete and return the guarantee certificate (at the end of this document) to us.

Use

The stove should be used in accordance with local and national regulations and European standards.

Some parts of the stove –the glass door and the outside walls– may become very hot even during normal usage (rated power) and significant heat may be radiated from the glass door.

In order to prevent any damage or risk of fire, when the stove is in use, remove all heat-sensitive objects from the radiation area. Take particular care when you leave the room.

Ensure that the glazed part is not facing any materials that are heat-sensitive.

Do not leave young children without supervision in the room where the stove is installed.

Ensure the air inlets and outlets are always kept clear.

Caution!

The appliance is not designed to be used with cooking utensils. Do not place anything on the appliance or on the facings.

Repairs / Maintenance

Any modification carried out to the system may cause danger and will invalidate your guarantee. Only use Stûv spare parts in the case of repairs.

Should a fire in the flue get out of control

Do not open the stove's door during the initial period.

Disconnect the device.

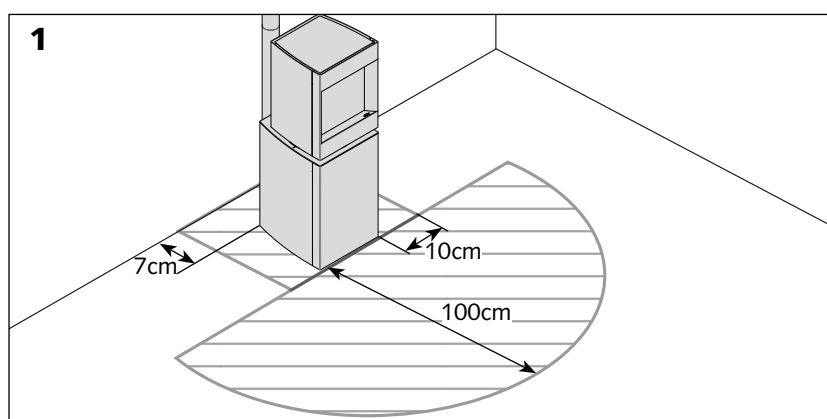
Call the fire brigade.

If the fire has not died down after a few minutes, use a dry powder, soda acid or sand extinguisher (never water).

After a chimney fire, ventilate the room where the stove is situated.

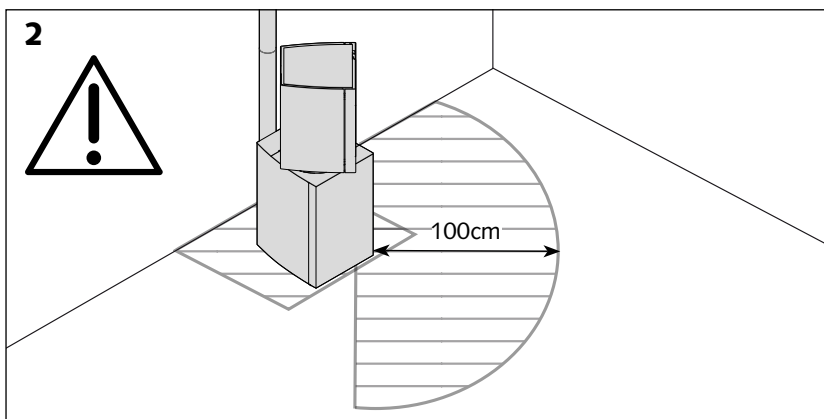
Have the chimney cleaned and inspected by a professional. Have repairs carried out if necessary.

Environment



The heat radiated from the glass door and the walls may be significant.

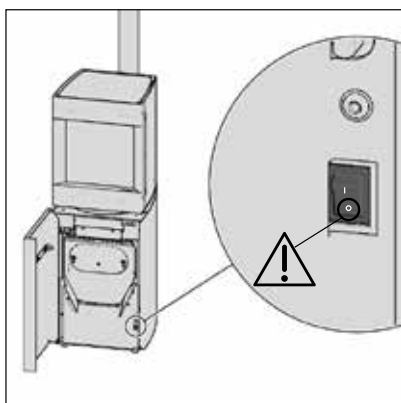
Whichever way the stove is pointing, observe the safety distances with regard to combustible materials [diagram 1], or ensure that the materials exposed to radiated heat are resistant to high temperatures.



Caution!

Given that the lantern pivots 45° to the left and 45° to the right, the safety distance must follow the direction of the flame [diagram 2].

Recommendations before first use



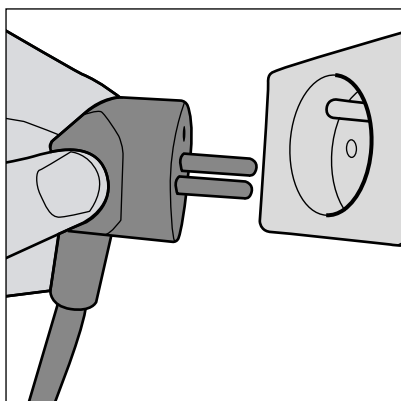
This section relates to the powering up of the appliance. This powering up must be done by an authorised Stûv installer.

The first lighting will help check that each setting is working properly and, if applicable, make fine adjustments to optimise use of the stove depending on the specifics of the installation.

> Check that the emergency switch at the front of the appliance is set to OFF.

> Connect the power supply to the mains (230V - 50Hz)

> Load the pellet hopper as indicated in the "Basic Procedures" section.




Caution!

As each appliance is tested in the factory, **it is not necessary** to pre-load the Archimedes screw. On the other hand, transport and handling of the Stûv P-10 during installation may have compacted the pellets already in the appliance. Therefore ignore the behaviour of the flame during the first few minutes of operation (it might in particular be more intense than normal).

> Turn on the appliance by following the steps outlined in the "Lighting the Stûv P-10"


Note:


If for various reasons the Archimedes screws have been emptied, it is necessary to perform a preload. Perform the following operations:

> Press and hold 

> Choose the "Preload" menu

- Choose "Auto" mode for complete and automatic loading of the screw which lasts 10 minutes.

To cancel, press 

- Choose "Normal" mode for manual pre-loading. Press and hold the  button to turn the screws.

> Exit the menu

Initial cautions

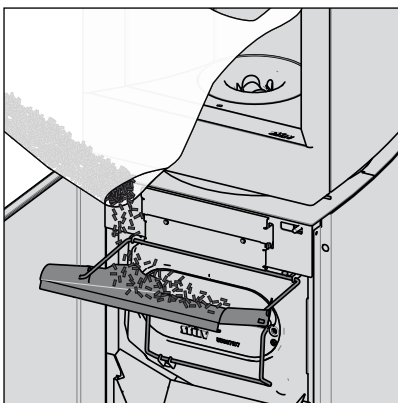
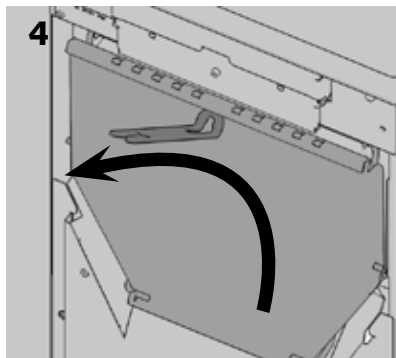
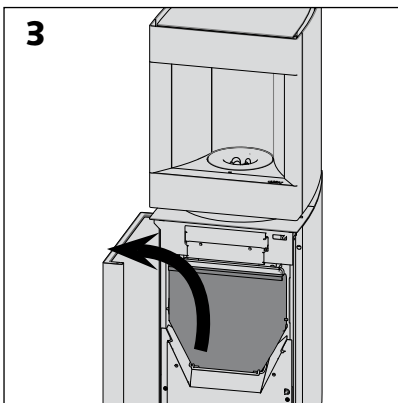
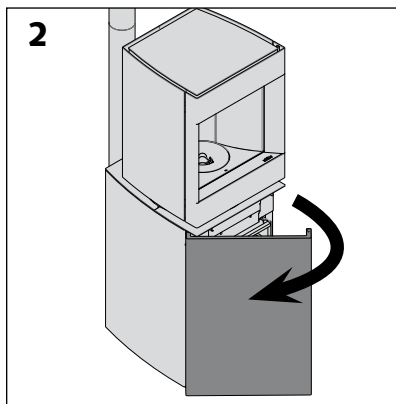
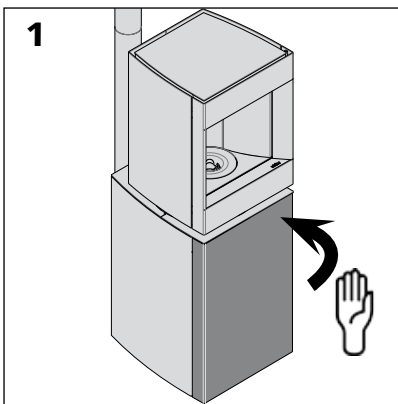
Before lighting the first fire in the new stove, ensure that no element (piece of hardware, tool, etc.) has fallen into the hopper or remains in the combustion chamber.

The paint is not oven-baked; it is thus relatively fragile but will harden when heated for the first few times. Consequently, take care when handling the appliance.

When lighting the fire for the first few times, some smoke or unpleasant odours may be released from the paint, the steel's protective oil or the drying of the bricks. We recommend that you keep your first fire burning strongly for several hours with the windows open. The paint will harden and the odours will disappear.

The paint of some components inside the combustion chamber will be replaced by a layer of carbon.

Basic usage



Refuelling with pellets.

It is advisable to refuel the hopper with pellets when the appliance is not lit.

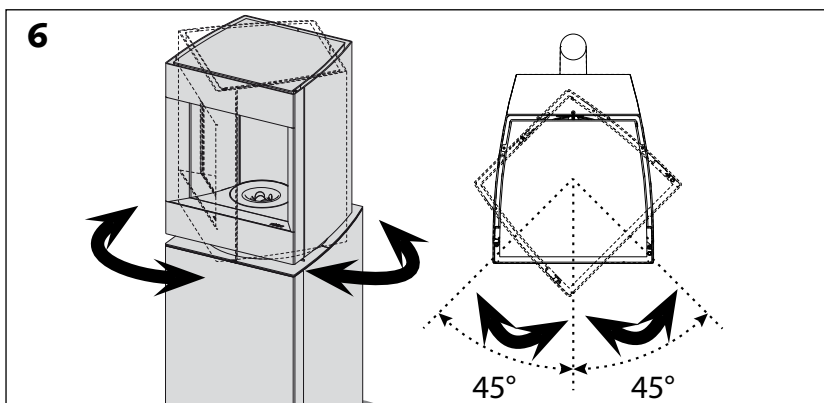
Caution!

If you refuel with pellets while the unit is operating, please do not leave the door open longer than one minute, as beyond this the appliance might display an alarm or even lock down into "safe" mode.

Remember: It is important to use a quality pellet (meeting DINplus or ENplus A1 certifications) and only pour pellets into the hopper. Avoid pouring the sawdust and dust found at the bottom of the bag or any other object.

The Stûv P-10 is fitted with a sensor that detects the pellet level. If the sensor detects a low level, the unit will reduce its power. If the pellet level rises, the power will go up. If the level continues to drop, the stove will go into "Shutdown" mode.

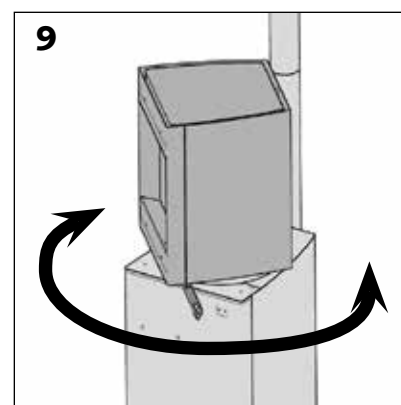
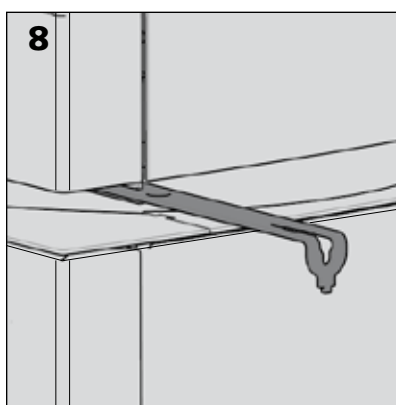
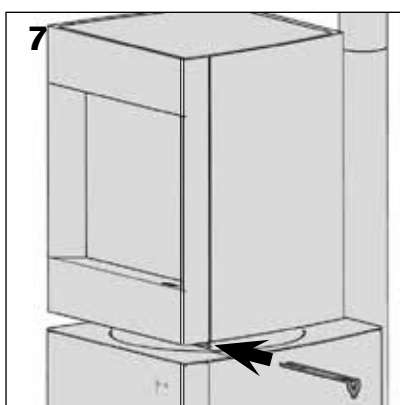
The ideal is to wait until the sensor emits a sound to fill the tank with a 15kg bag.



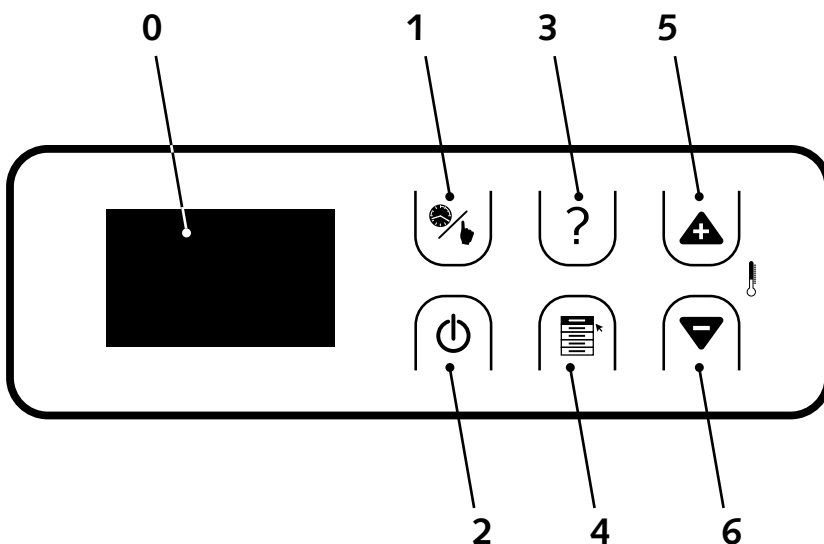
Rotation of the lantern

Caution!

Do not open the door of the lantern while the unit is still hot.



Managing the remote control



The Stuv P10 remote control has 6 buttons and 1 display screen:

0. Display screen

1. Programming the timetable

This function allows you to set the start, stop, and power levels depending on the day and time as well as adjust the set temperature setting.

2. Power on/off button

3. Help

4. Menu

The Menu button is used either to modify the power level or to get access to the appliance's various settings.

It is also used to go into an option or submenu, confirming the choice highlighted.

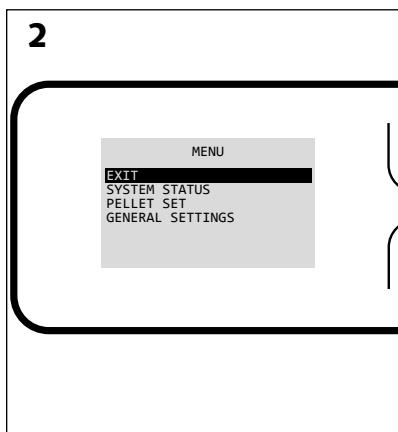
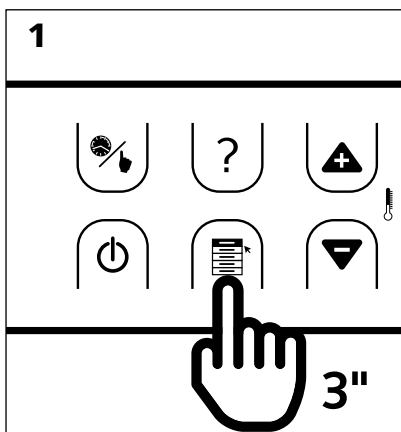
5. Increase/Move up

6. Decrease/Move down

Warning!

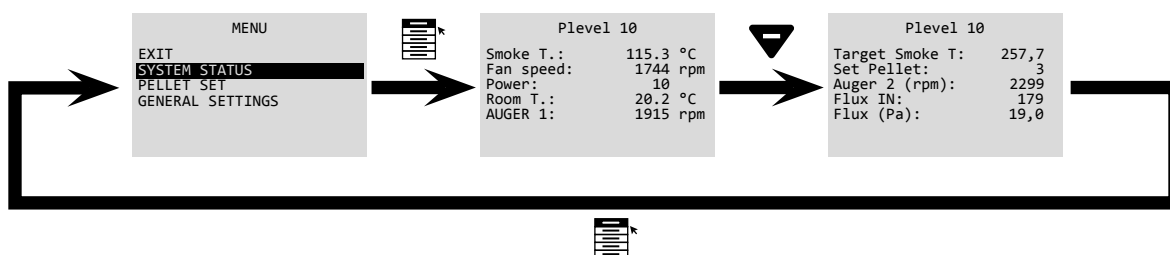
Only use rechargeable batteries in the remote control!

Description of the remote control menu



A long press on the Menu button provides access to the list of the same name, including the following submenus:

System status: Contains a set of continually updated information.



| Plevel 10 | |
|------------|----------|
| Smoke T.: | 115.3 °C |
| Fan speed: | 1744 rpm |
| Power: | 10 |
| Room T.: | 20.2 °C |
| AUGER 1: | 1915 rpm |

- Smoke temperature
- Smoke speed
- Current power level
- Ambient temperature
- Screw rotation speed 1

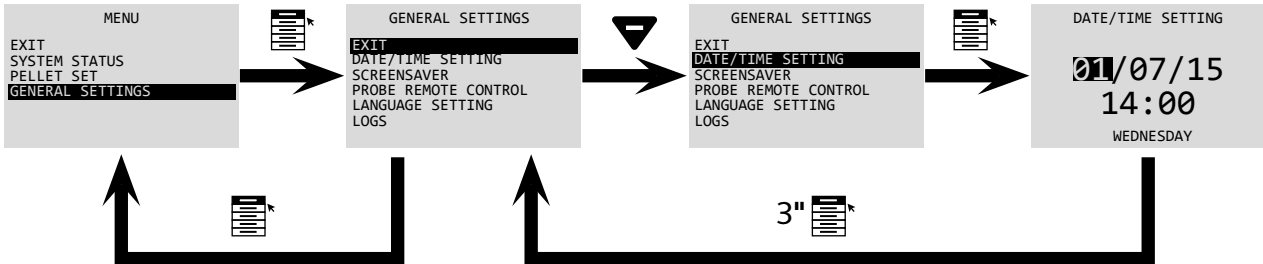
| Plevel 10 | |
|-----------------|-------|
| Target Smoke T: | 257,7 |
| Set Pellet: | 3 |
| Auger 2 (rpm): | 2299 |
| Flux IN: | 179 |
| Flux (Pa): | 19,0 |

- Smoke temperature to be reached according to "Set Pellets"
- Set pellets
- Screw rotation speed 2
- Relative value calculated from the value "Flux (Pa)" in order to regulate the smoke extraction fan
- Negative pressure at the air intake

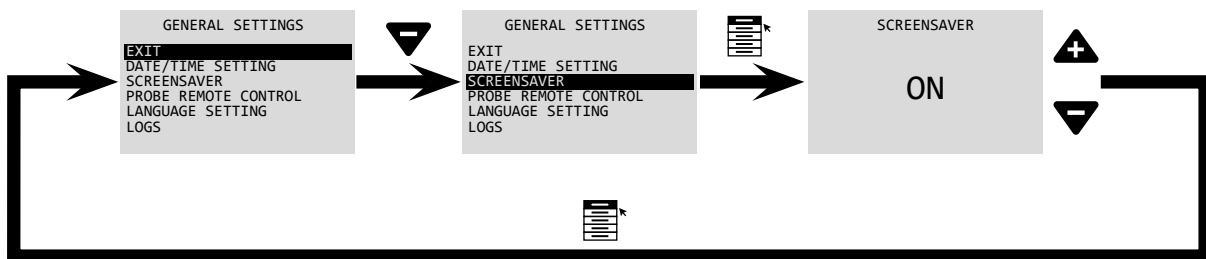
Description of the remote control menu (continued)

General Settings: The "General Settings" menu consists of the following submenus:

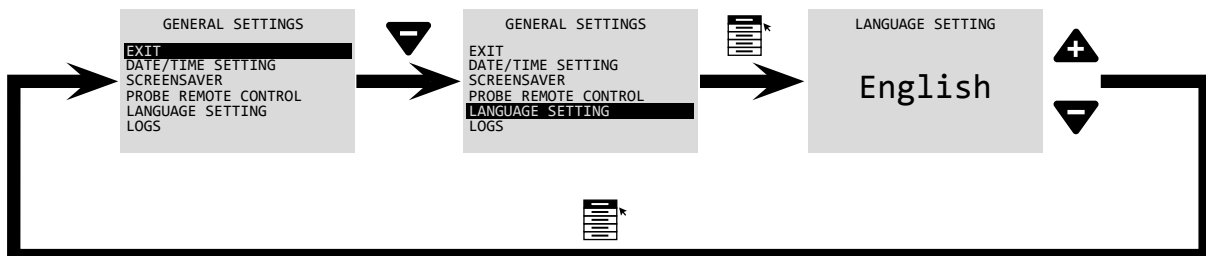
- > **Program date/time:** This screen allows you to set the date and the time. Once in the clock menu, set the desired number using the arrow keys; to move to the next number, press the menu button. Once the date and time are entered correctly, press and hold the menu button to return to the "General Settings" screen.



- > **Screen Saver:** Enable/disable the screen saver.

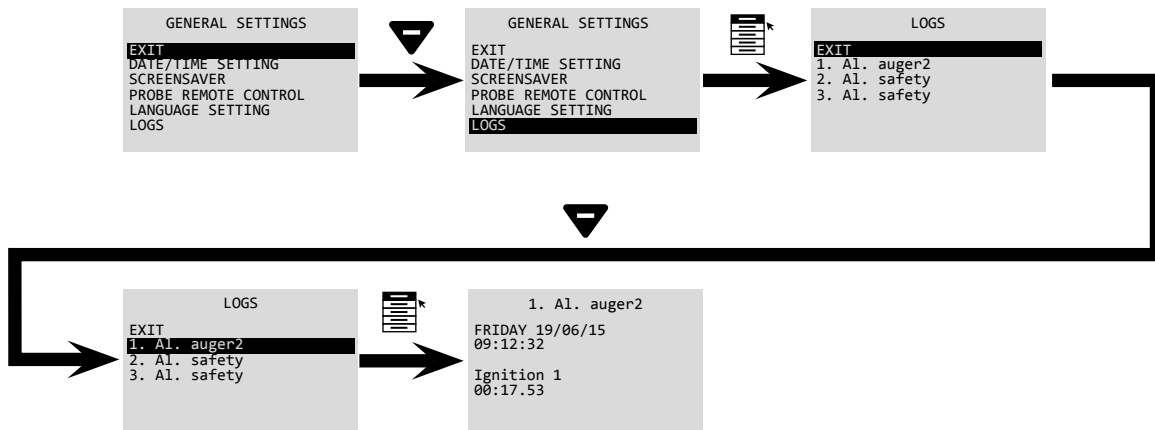


- > **Program Language:** The "Program Language" screen is used to switch the interface between the different languages available.

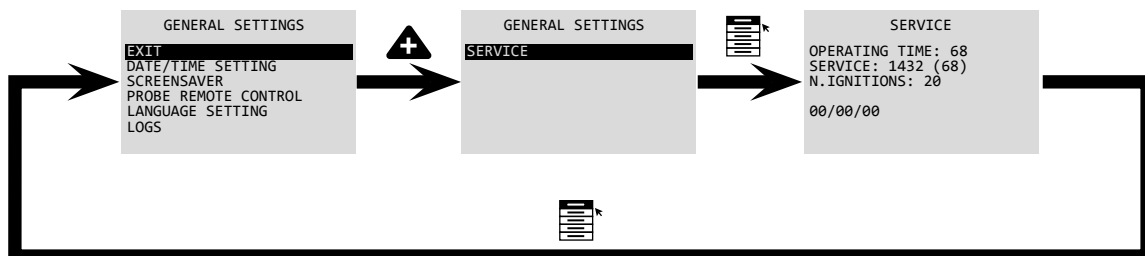


Description of the remote control menu (continued)

> **Records:** Each incident is logged under this tab. The information stored is: The nature of the incident, the date and time the incident occurred and the phase during which the incident occurred.



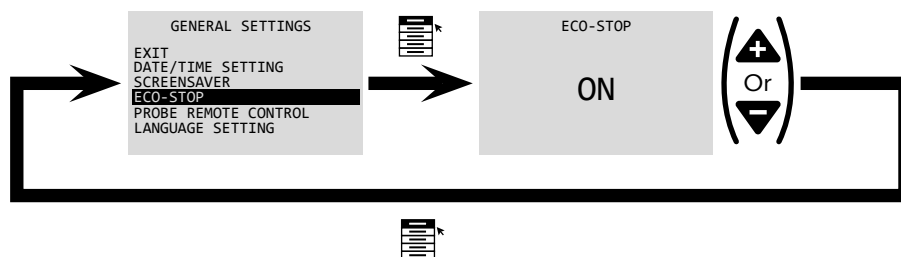
> **Service:** The "Service" screen indicates the number of operating hours and number of starts made.



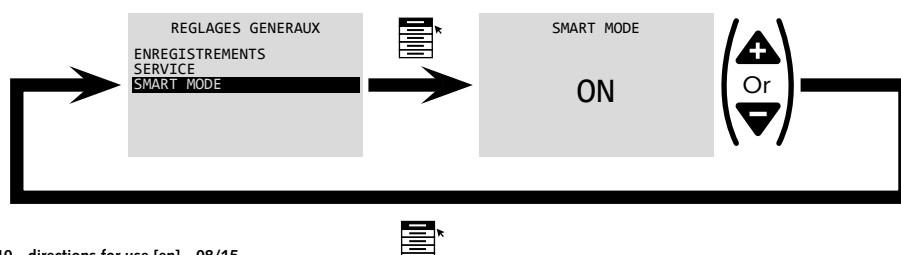
> **Eco-stop:** The "Eco-stop" screen is only available when the appliance is thermostatically controlled. When the setting is "ON", the appliance turns off when the ambient temperature stays above the set temperature for more than 5 minutes. If the ambient temperature drops below the set temperature, the appliance will restart automatically.

Caution regarding the time it takes to shut down and restart!

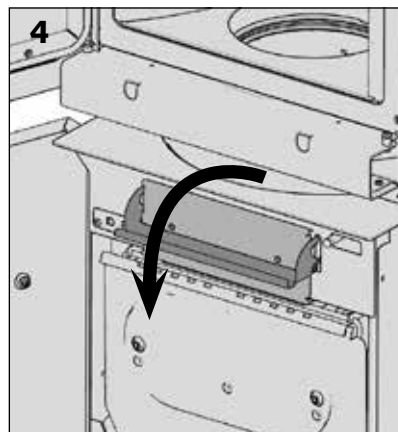
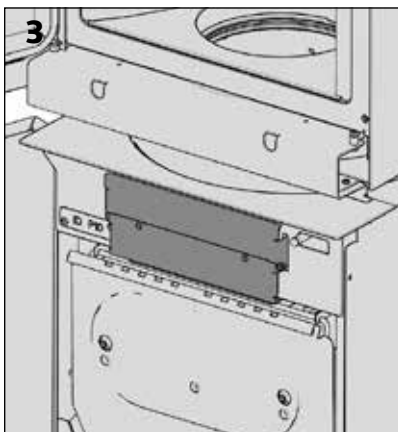
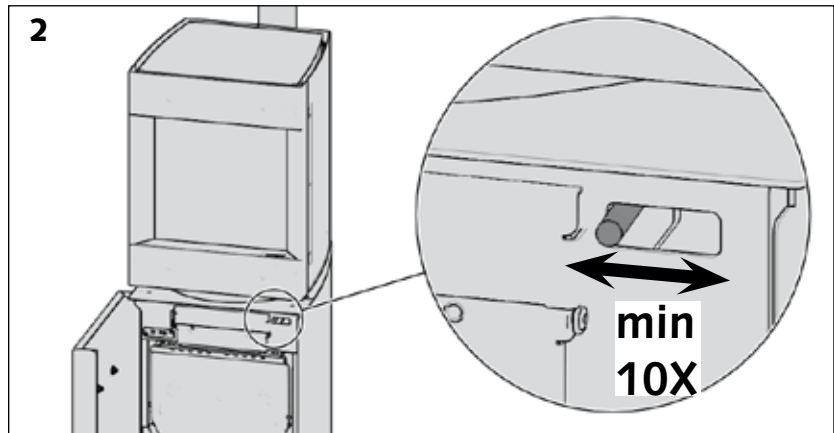
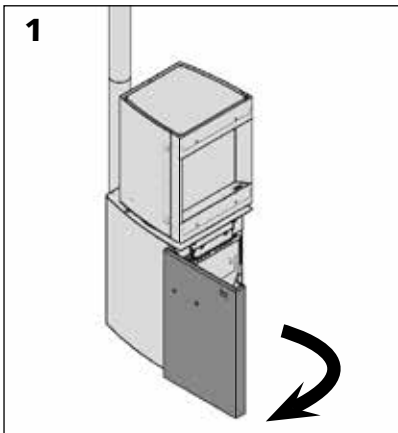
When the setting is "OFF", the appliance will go down to its lowest heating power level at its minimum value if the ambient temperature stays above the set temperature for more than 5 minutes. The appliance will not turn off automatically.



> **Smart Mode:** The "Smart Mode" screen is only available when the appliance is thermostatically controlled. When the setting is "ON", the appliance can automatically reduce heating power if the temperature of the room rises too fast (e.g. if another heater is run in parallel).



Precaution before each start

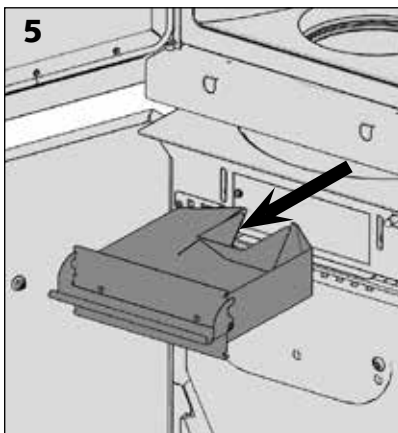


> Before each start, actuate the ash removal control (make ten movements).

> Check that after the operation, the control returns to its original position (rod to the right).

Caution!

We strongly recommend that the ash removal control is only actuated when the appliance is stopped. In all cases, do not remove ash when the Stüv P-10 is in the "Loading", "Lighting 1", "Lighting 2" and "Balancing" phases.



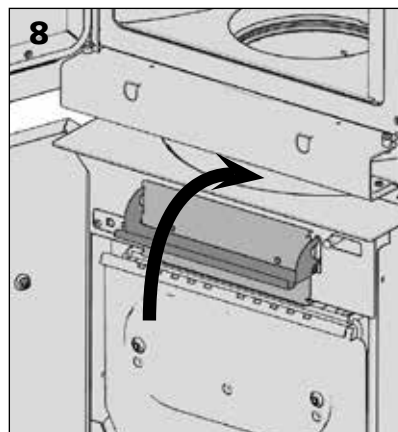
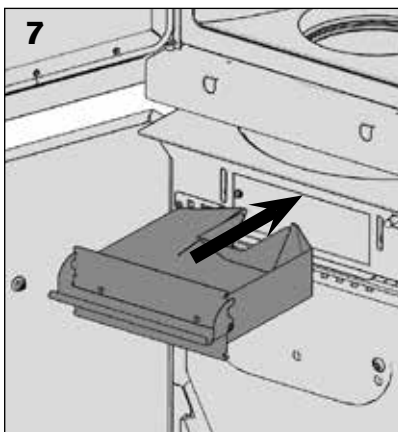
> Empty the ashpan for every 150 Kg of pellets burned.

Caution!

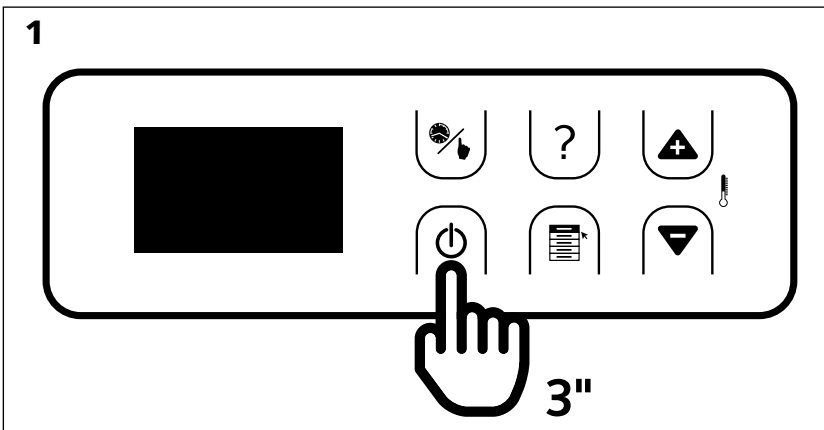
Only remove the ashpan when the stove is off.


Never touch the ashpan when the appliance is operating (risk of burns).

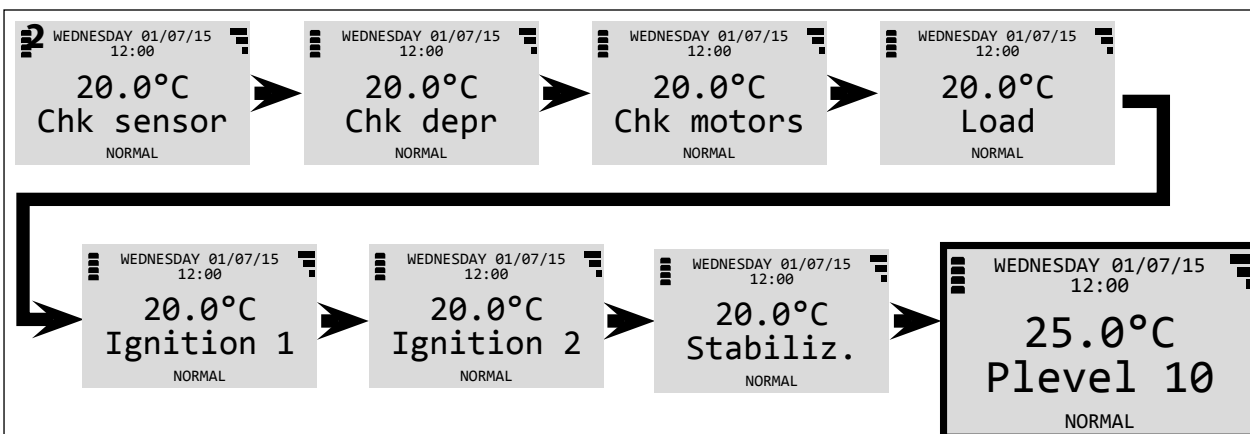
Check carefully that there are no unburned pellets in the ashpan at the time the appliance is lit.



Lighting the Stûv P-10



- > To light your Stûv P-10, press and hold the button for 3 seconds 
- > The appliance will review its various sensors.
- > The stove then goes on to load the screws.
- > Once there is a sufficient quality of pellets, the ignition phases start. The flame now appears (10 - 12 minutes).



- > The lighting stages are completed as soon as the level is displayed on the screen (20 - 25 minutes).

Note!


On lighting, it is possible for the combustion chamber to be filled with smoke. This is normal and is due, for various reasons, to slower burning of the pellets (e.g. slightly damp pellets etc.) Once the flame appears, all the smoke will disappear.

2 usage modes: manual mode vs. calendar mode

The Stûv P-10 allows two ways to control power. A manual mode which enables direct power changes, or a calendar mode where temperature management is defined in advance, day by day, half-hour by half-hour (4 possible schedules).

Whether manual or calendar mode, it is possible to manage the power of the appliance through power levels or through a temperature to be reached (set temperature).

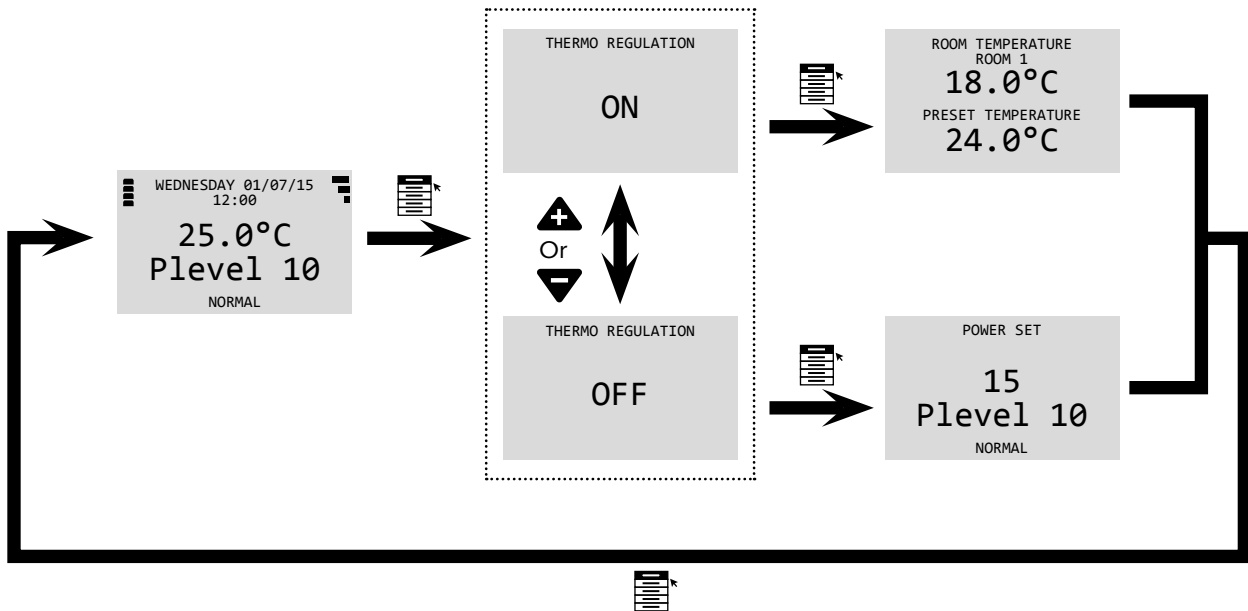
Using manual mode

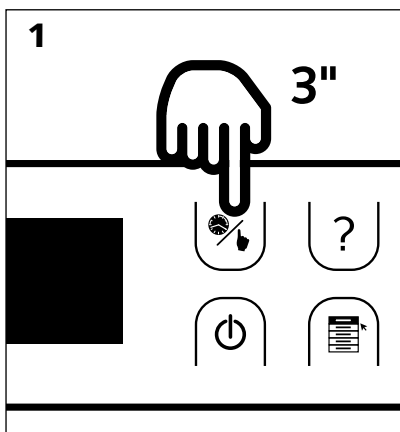
A short press on the  button switches successively between the 3 screens shown below.


An initial short press allows you to enable or disable thermostatic control of the appliance.

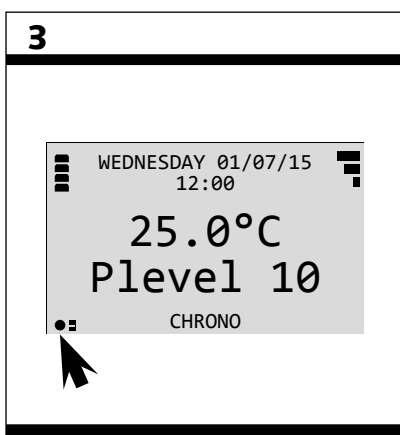
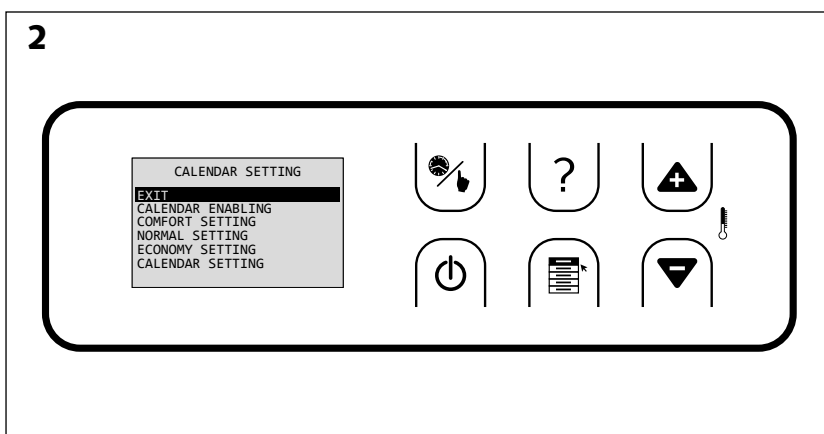
If thermostatic control is enabled, the following screen shows the temperature of the room and allows you to specify the required set temperature, that is, the temperature you wish to reach in the room where the thermostat sensor is placed. Raise or lower the set temperature using the arrow keys.

If thermostatic control is disabled, the next screen allows you to raise or lower the power level at which the appliance operates. The range of powers available goes from level 1 (+/- 2.5 Kw) to 20 (+/- 8Kw). To change the power, use the arrow keys on the remote control.





The calendar function allows you to set the automatic starting and stopping of the stove as well as adjusting the power and the set temperature. To access this menu and to enable or disable the calendar, press for more than 3 seconds on the button 



Attention!

Dans le cas où une alarme s'active sur l'appareil, le calendrier se désactive automatiquement afin de protéger le système. Lorsque les causes de l'alarme sont résolues, il faut réactiver le calendrier.

The calendar menu consists of the following submenu:

Exit: Exit the calendar menu.

Enable calendar: Enables or disables calendar mode. It is possible to schedule four different programmes. To disable calendar mode, select the "normal" programme.

Comfort menu: Setting the power or the maximum temperature during programming.

Normal menu: Setting the power or the average temperature during programming.


Economy menu: Setting the power or the minimum temperature during programming.

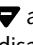

Week programme: Allows different programmes to be created (maximum 4).

Caution!

Settings in the comfort, normal and economy menus are made either at power level or in temperature. To switch from power level to temperature and vice versa, you must:

- > Return to the Home screen


- > Press briefly on the button 

- > Press the  and  buttons to enable or disable thermostatic control.

When regulation is enabled, settings are made through the desired temperature in degrees Celsius. Otherwise, the adjustments are made in power levels (between 1 and 20).

Caution!


Calendar mode is only enabled if the Stuv P-10 is connected, lit and enabled. In effect, for the appliance to be able to start programming, it is imperative that it is operating.

Si le foyer n'est pas allumé au moment où vous réglez le calendrier, terminer la manipulation par un appui long sur . L'indicateur d'activation du mode calendrier se trouve en bas à gauche de l'écran de la télécommande [schéma 3].

Configuring calendar mode

1. Define 3 basic temperatures.



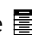
Calendar mode varies between 4 states: a state where the appliance is off, 3 states representing three temperature levels, i. e. a lower level, an intermediate level and a higher level. The first step is to define these three values between which the appliance will vary. The choice can be made either in power level or temperature. To do this, enable or disable thermostatic control (see "Calendar mode" section).

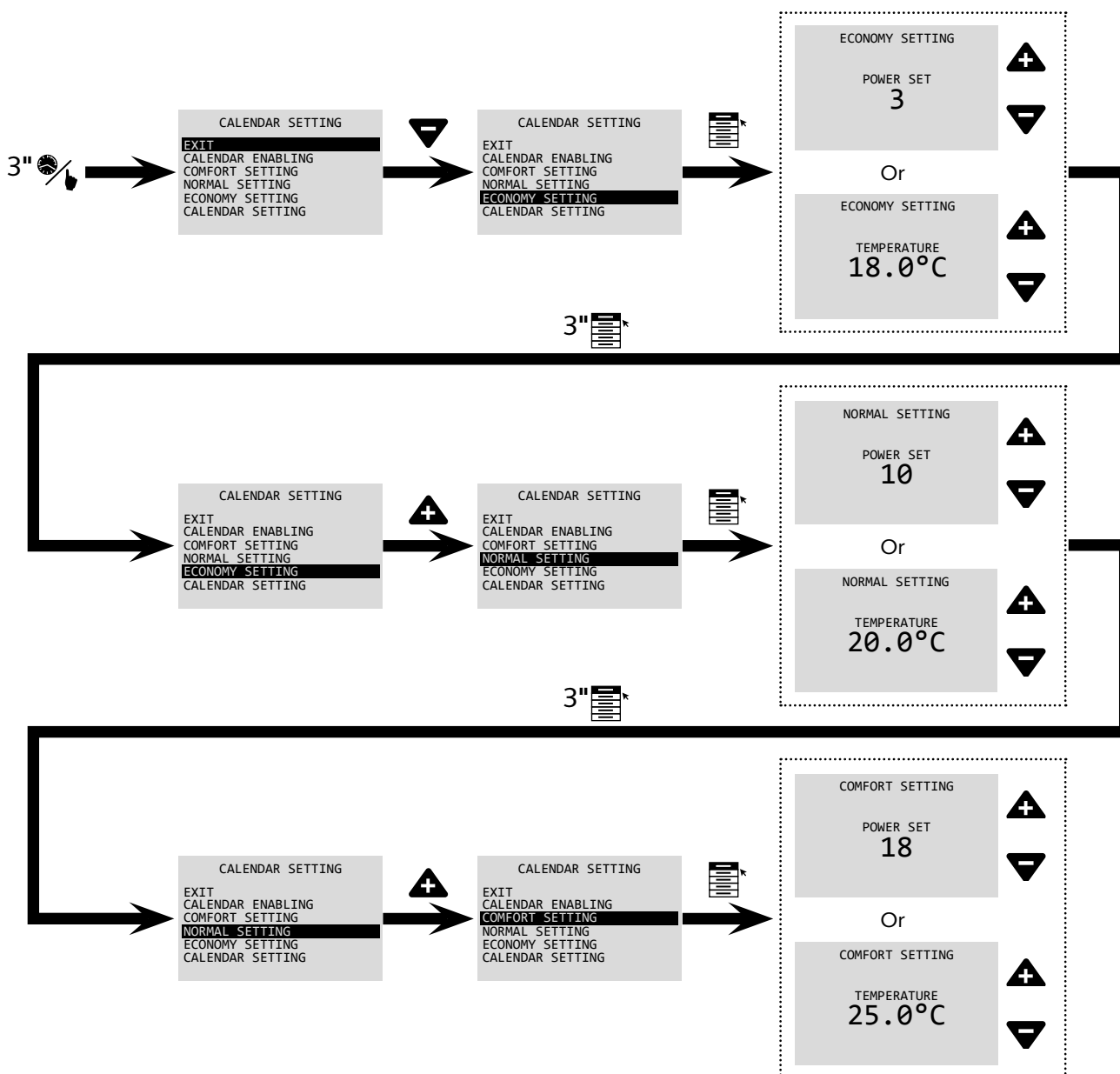
> Press the  button for 3 seconds to go into the "Calendar programming" menu.

> Go into the economy, normal and comfort menus successively in order to set the desired temperatures.

The Economy menu defines the lower temperature, the normal menu defines the intermediate temperature and the highest temperature is defined in the comfort menu.

Note:

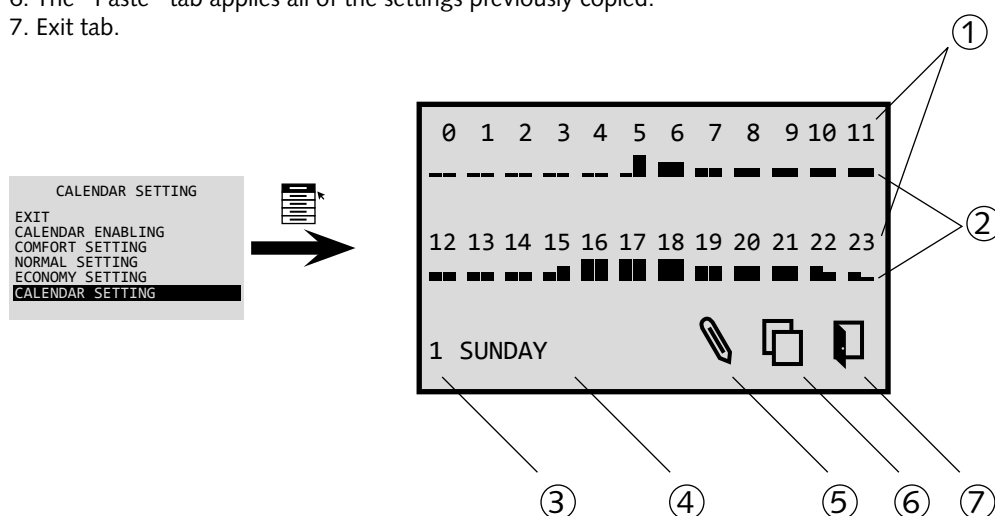
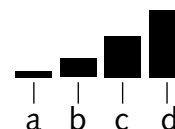
Once in the "Calendar programming" menu, use the  and  buttons to navigate the menu. Briefly press the  button to enter the economy, normal and comfort menus. Make a long press on this button to return to the "calendar programming" menu.



2. Perform scheduling.

The scheduling of the various calendars (maximum of 4) is carried out in the "Week programme" menu. This screen shows the following information:

- 24 numbers corresponding to the 24 hours that make up a day.
- Each hour is divided into two half-hours represented by a bar.
The height of the bar indicates the programme applied at that time of day:
 - the appliance is off.
 - the temperature or power level is defined in economy mode.
 - the temperature or the power level is the one defined in normal mode.
 - the temperature or power level is the one defined in comfort mode.
- A figure indicating the programme number as it will be shown in the "enable calendar" menu.
- The name of the day concerned.
Successively create a programme for each day of the week.
- The "Copy" tab gives the opportunity to copy the entire programme for the day displayed to apply it using the Paste tab to a different day.
- The "Paste" tab applies all of the settings previously copied.
- Exit tab.

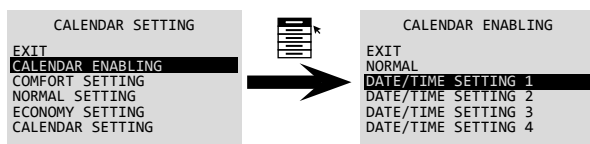


Note:

Once the "Week Programme" screen is displayed, move the cursor keys using the \blacktriangle and \blacktriangledown buttons. To change the highlighted item, press Menu . To exit the "Week programme" menu, highlight icon 7, and press Menu .

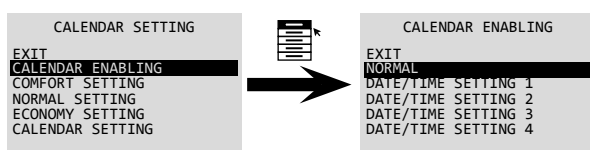
3. Enable scheduling.

- > Enter the "Enable calendar" menu
- > Select the desired schedule.
- > To enable it, press Menu

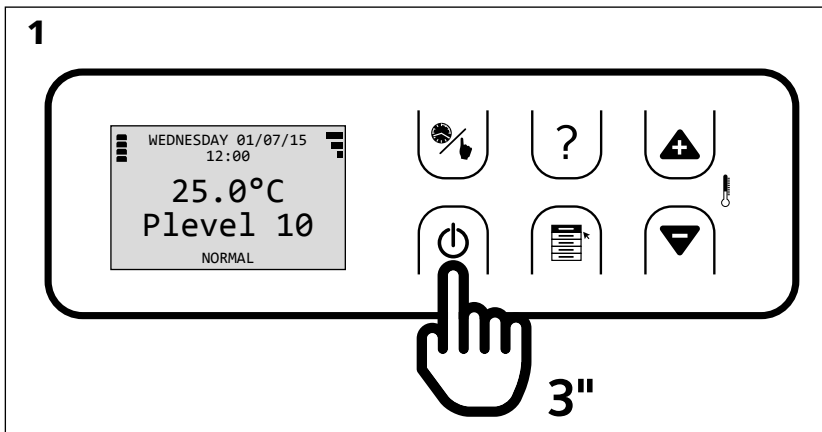



Caution!

To disable the use of calendar mode, select the "Normal" profile.



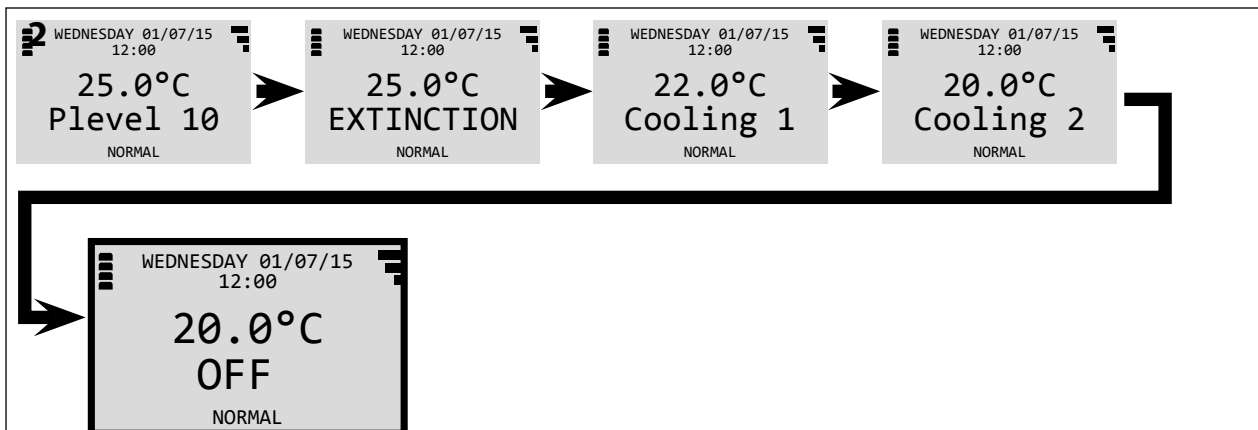
Shutting down the Stûv P-10



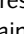
> To turn your Stûv P-10 off, press and hold the  button for 3 seconds.

From this time on, the appliance will stop one of the two feed screws and empty the second.

The Stûv P-10 will therefore continue to operate for about 15 minutes at a power equal to P10.



Caution!

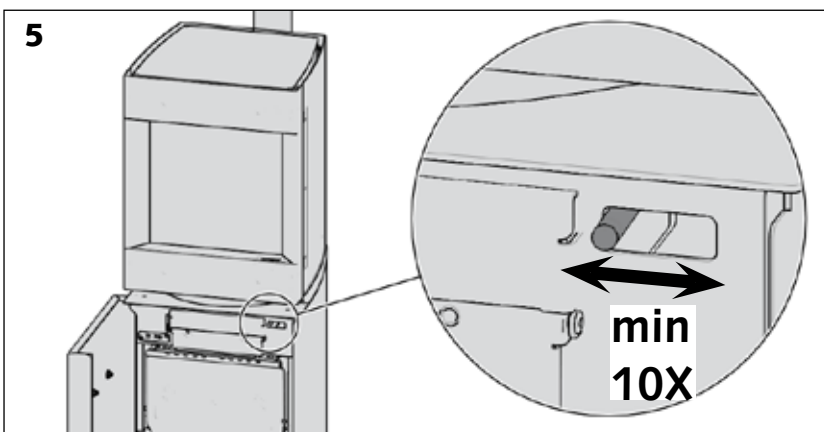
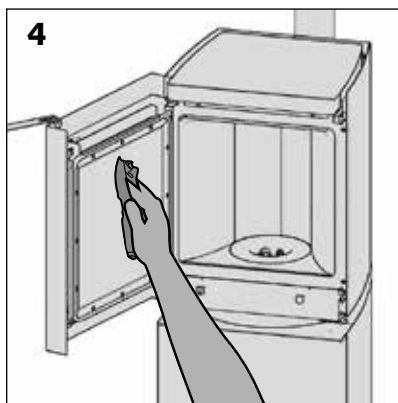
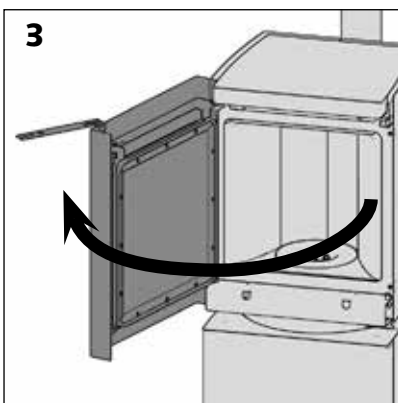
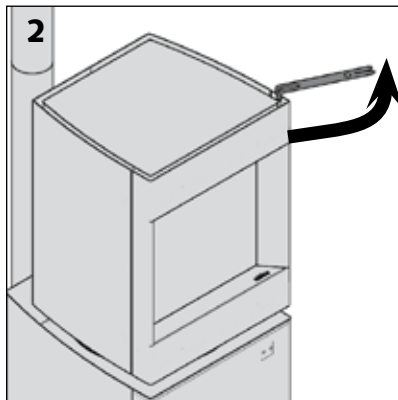
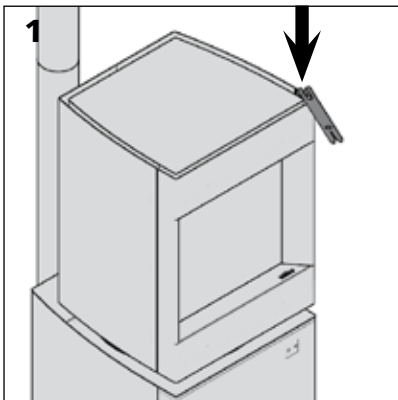
During the shut-down phase (15 min) it is possible to restart the unit by pressing  again.

HOWEVER, for security reasons, this is not possible during the "cooling 1" and "cooling 2" phases .

Once the shut-down stage is past, wait until the appliance has completely stopped (+- 1 hour 45 min) to be able to restart it.

During this time, the appliance remains hot and will continue to radiate heat.

Daily maintenance



Be careful!

Wait until the stove has cooled down completely before carrying out maintenance.

Maintenance of the metal components

Use a dry cloth for cleaning.

Cleaning the glass

> Open the combustion chamber door using the control key [diagrams 1, 2 and 3].

> Clean the glass using a cleaning product specified for use on ordinary glass [diagram 4].

Caution!

The use of abrasive oven-cleaning products causes rapid destruction of the seals and damages the paintwork.

> Make sure the glass is properly dry because oily residues will set the smoke.

Ash Removal

Before lighting the appliance:

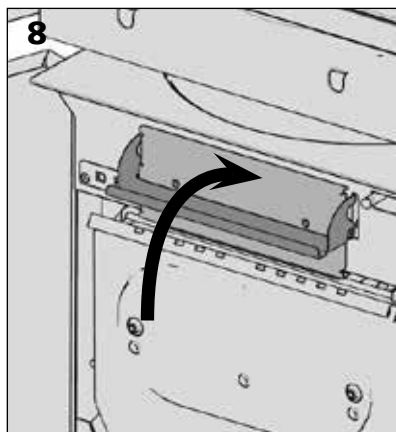
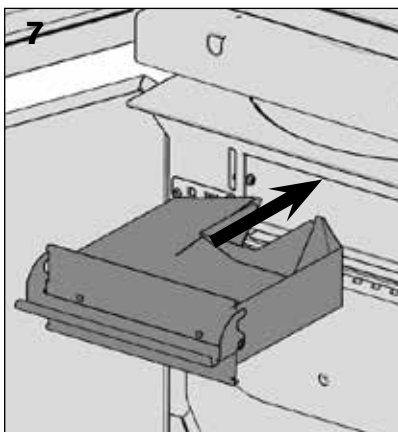
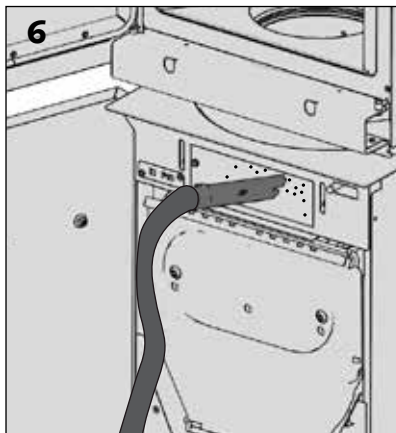
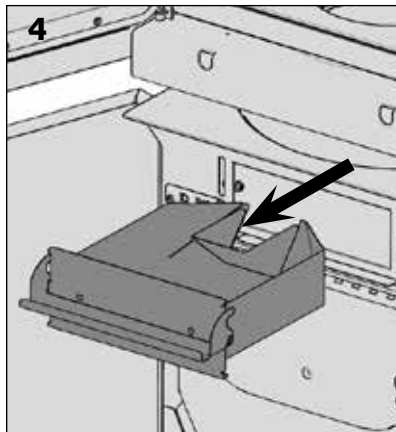
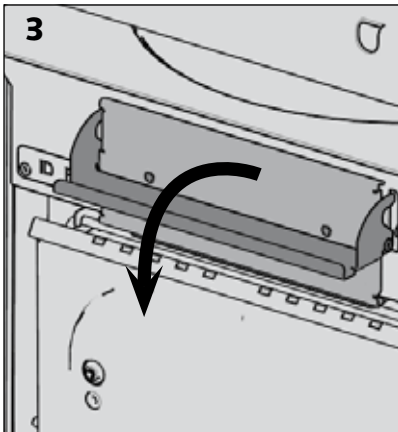
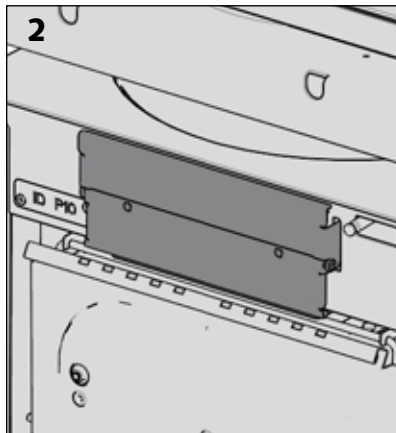
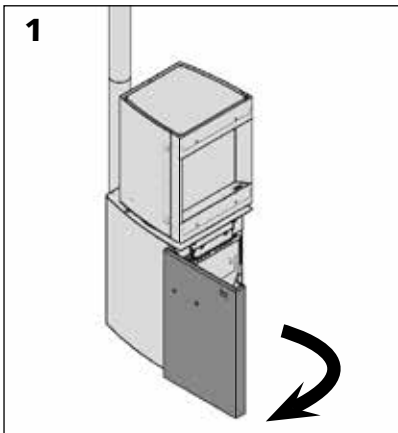
> Open the bottom door.

> Use the ash removal control, make ten movements from right to left [diagram 5].

> Check that in the end, the control returns to its original position (rod to the right).

Reminder:

We strongly recommend that the ash removal control is only actuated when the appliance is stopped. In all cases, do not remove ash when the Stûv P-10 is in the "Loading", "Lighting 1", "Lighting 2" and "Balancing" phases.



Warning!

Wait until the stove has cooled down completely before carrying out maintenance.

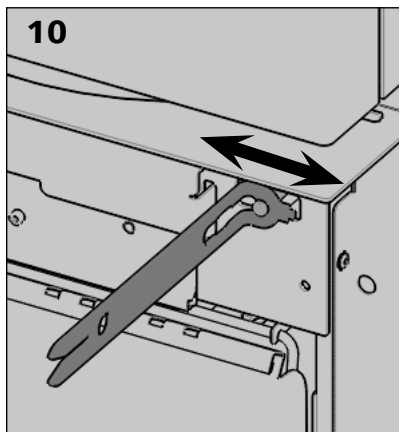
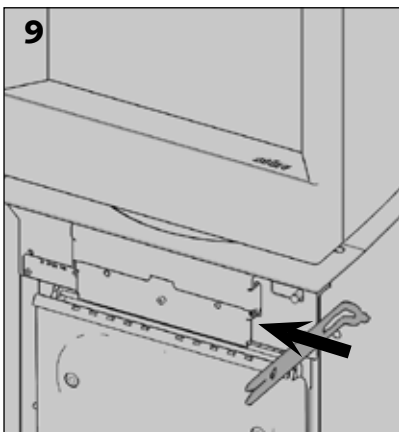
Emptying the ashpan and cleaning its housing

> Empty the ashpan for every 150 Kg of pellets burned.

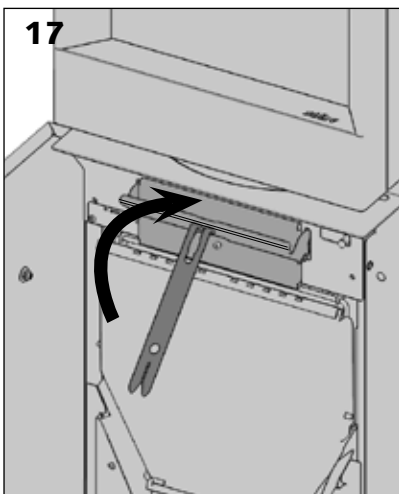
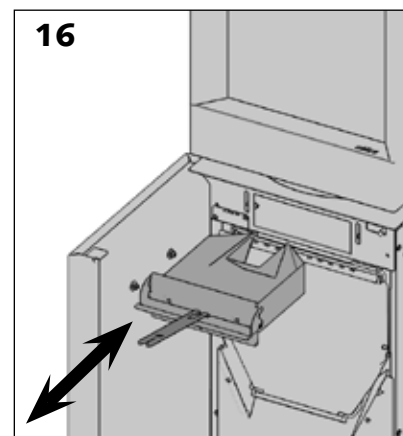
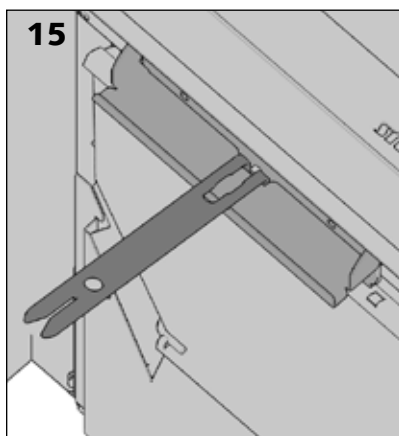
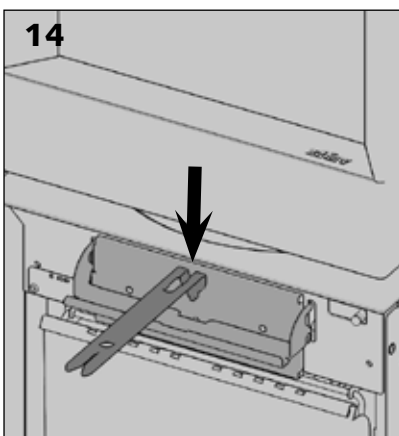
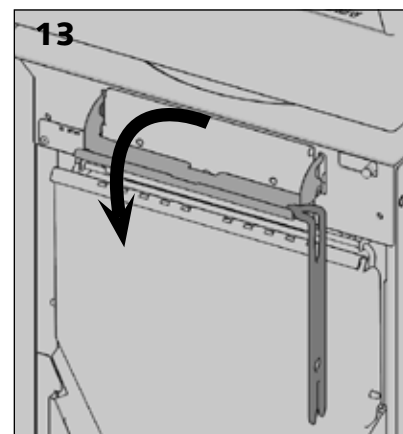
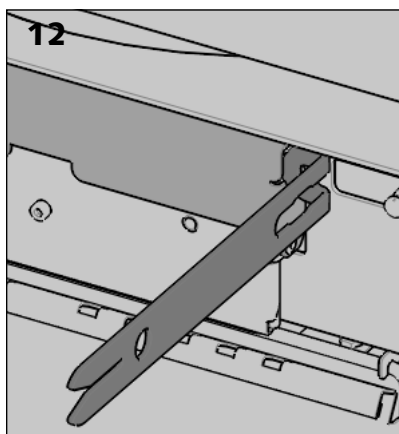
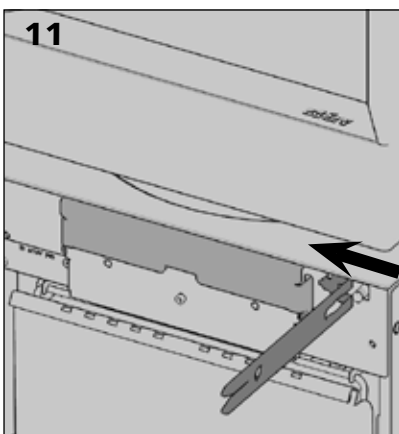
Caution!

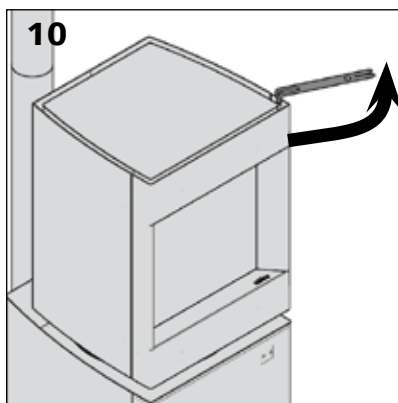
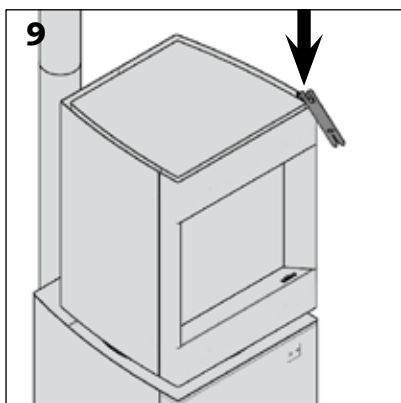
Only remove the ashpan when the stove is off.
Never touch the ashpan when the appliance is operating (risk of burns).

Ensure that the embers and ashes are cold before disposing of them in a container that can be burned or melted.



If you need to operate the grille or remove the ashpan when the appliance is hot, do these various operations using the control key.



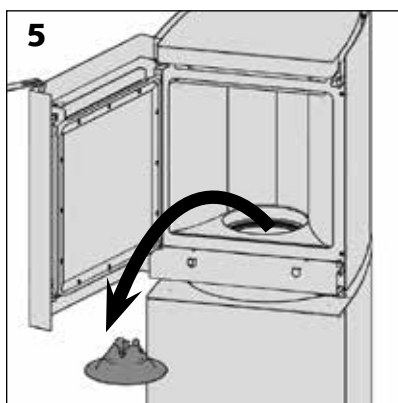
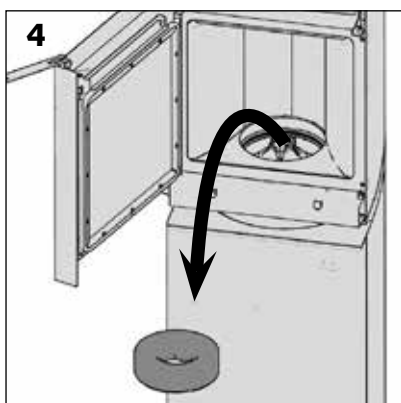
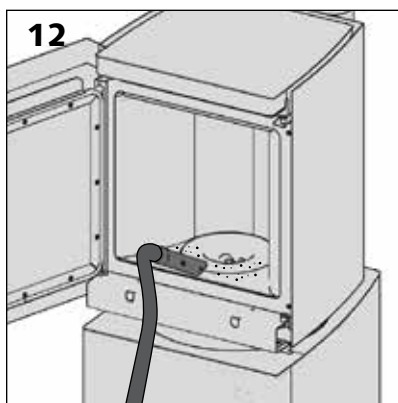
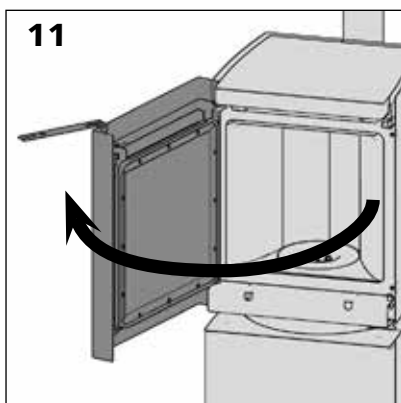


Cleaning the combustion chamber

- > Open the combustion chamber door using the control key [diagrams 9, 10 and 11].
- > Vacuum the inside of the combustion chamber [diagram 12].
- > Take care to close the door using the control key. Ensure that the door is securely locked.

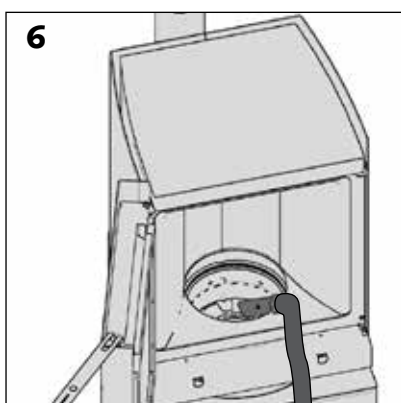
Caution!

Do not open the door of the lantern while the unit is hot.



Cleaning the ash removal grille

- > Remove the vermiculite ring.
- > Remove the flame modeller.
- > Vacuum the grilles.



Annual maintenance

Annual maintenance of your Stûv P-10 must be done by a professional authorised by Stûv.

The following should be done annually:

- Empty and clean the pellet hopper.

Caution!

Only fill the hopper at the time the appliance will be used again (to prevent the pellets from deteriorating).

- Clean the smoke extractor and smoke connectors.
- Clean the heat exchanger.
- Sweep the flue.
- Check the door seal.
- Check the extractor seal.
- Check and clean the various elements of the burner.

Alarm signals



Negative pressure alarm

This alarm indicates a pressure switch malfunction or a lack of negative pressure.

If this alarm is displayed:

- > Allow the appliance to go out.
- > Contact your installer.



“No flame” alarm

This alarm indicates an abnormally low smoke temperature signifying that the flame is probably out.

If this alarm is displayed:

- > Allow the appliance to go out.
- > Check there are still enough pellets in the hopper.
If not, fill the hopper and attempt to relight the appliance. If the alarm recurs, contact your installer.
- > If the hopper still has enough pellets or if the alarm is displayed when there is a flame present, please contact your installer.



“No ignition” alarm

This alarm indicates an ignition fault.

If this alarm is displayed:

- > Allow the appliance to go out.
- > Check there are still enough pellets in the hopper.
If not, refill the hopper.
- > **Caution!**
Clean the ash removal grille (see section on weekly maintenance) to remove unburned pellets.
- > Attempt to restart the unit. If the alarm recurs, contact your installer.
- > If the hopper still has enough pellets or if the alarm is displayed when there is a flame present, please contact your installer.



Archimedes screw 1 alarm

This alarm indicates a malfunction of the primary screw or its speed sensor.

If this alarm is displayed:

- > Allow the appliance to go out.
- > Contact your installer.



“Archimedes screw 2” alarm

This alarm indicates a malfunction of the secondary screw or its speed sensor.

If this alarm is displayed:

- > Allow the appliance to go out.
- > Contact your installer.

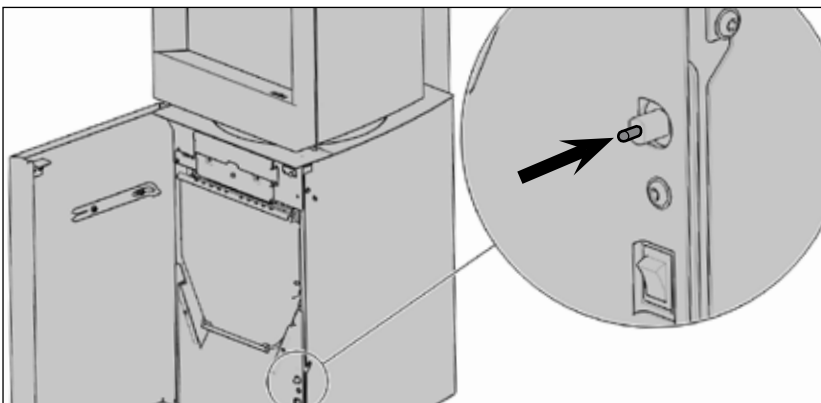
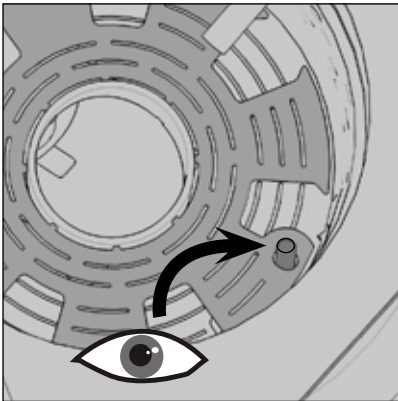


“Safety” alarm

This alarm indicates that the appliance is overheating.

If this alarm is displayed:

- > Allow the appliance to go out.
- > If you perform a long ash removal when the device is in safe mode, restart the stove once the Stûv P-10 has cooled down.
Caution! Do not remove ash or empty the ashpan when the appliance is operating.
- > If you have not removed the ash when in safe mode, check that the grille is positioned correctly.
- > To restart the unit, the safety switch has to be rearmed. The red button on the switch will only rearm if the appliance has cooled down.
- > If the grille was positioned correctly at the time of the alarm or if the alarm recurs contact your installer.



“Ambient sensor” alarm

This alarm indicates a malfunction of the ambient temperature sensor on the appliance.

If this alarm is displayed:

- > Allow the appliance to go out.
- > Contact your installer.



“Smoke sensor” alarm

This alarm indicates a malfunction of the smoke temperature sensor on the appliance.

If this alarm is displayed:

- > Allow the appliance to go out.
- > Contact your installer.



“Extractor” alarm

This alarm indicates a malfunction of the smoke extractor or its speed sensor.

If this alarm is displayed:

- > Allow the appliance to go out.
- > Contact your installer.



“Hardware flow” alarm

This alarm indicates a flow sensor malfunction.

If this alarm is displayed:

- > Allow the appliance to go out.
- > Contact your installer.



“Smoke temperature” alarm

This alarm indicates that a smoke temperature has been measured that is too high.

If this alarm is displayed:

- > Allow the appliance to go out.
- > Contact your installer.



“Electronic card temperature” alarm

This alarm appears when the electronic card exceeds 70°C.

If this alarm is displayed:

- > Allow the appliance to go out.
- > Contact your installer.

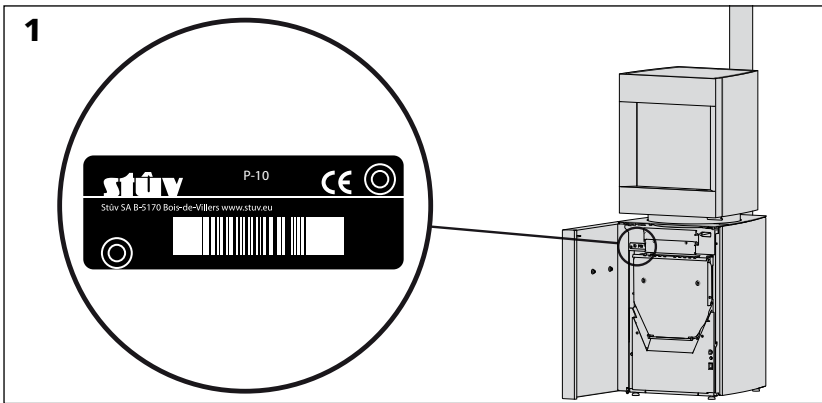


“Leak” alarm

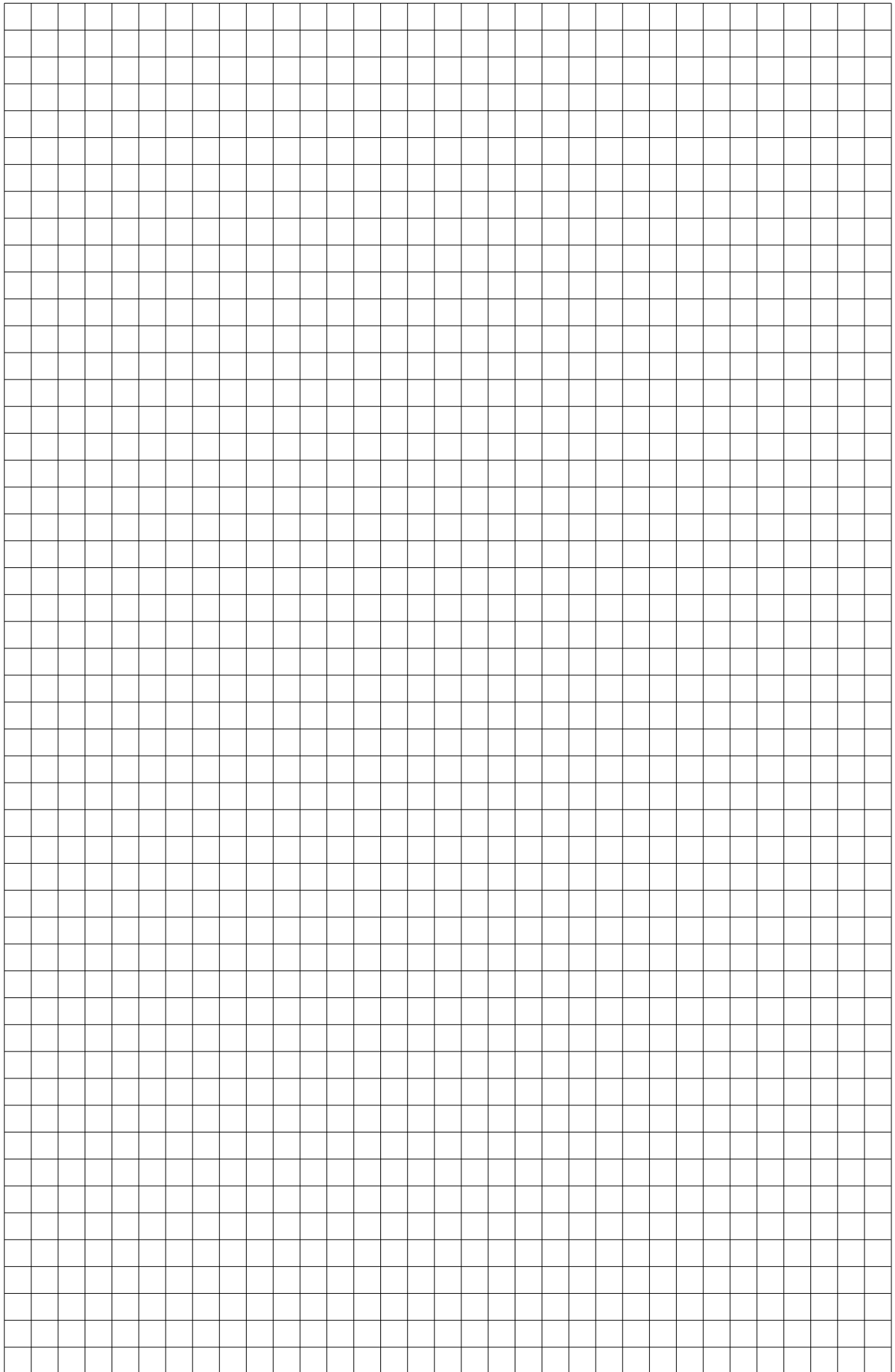
This alarm appears when the flow sensor measures a flow rate that is too low.

If this alarm is displayed:

- > Allow the appliance to go out.
- > Check the sealing of the door and the various seals.
- > Check that the flue is not clogged.



If you encounter a problem or if you notice any deterioration, please contact your installer, telling them your serial number.



Stûv P-10

Domestic wood pellet heating appliance
complying with the EN 14785 : 2006 standard
Recommended fuel: Wood pellets only

Manufactured by:

Stûv s.a

Rue Jules Borbouse, 4 B-5170 Bois-de-Villers
Tél: +32(0)81.43.47.96 – Fax: +32(0)81.43.48.74
info@stuv.com www.stuv.com

Approved certifying body:

1881 – IMQ Primacontrol

Via dell'Industria, 55, San Vendemiano TV, Italia

System to assess and check the consistency of performance: 4

Test report number: CPR_15_022

Document number: QA151478501-EN

This device complies with CE regulations



| | | |
|--|---|---------|
| European standards | EN 14785 : 2006 | |
| European standards | Performance | |
| CO emissions | At rated power: | 0,001 % |
| | At reduced power: | 0,028 % |
| Smoke temperature at nominal power | 173 °C | |
| Heating power | Nominal: | 8 kW |
| | Distributed in the room: | 2.4 kW |
| | Distributed in water: | - kW |
| Output | At rated power: | 90,5 % |
| | At reduced power: | 94,5 % |
| Maximum water pressure when operating | - | |
| Surface temperature | Pass | |
| Surface temperature | Pass | |
| Electrical safety | Pass | |
| Mechanical resistance (for the pipe to withstand) | NPD | |
| Fire safety | | |
| Reaction to fire | A1 | |
| Minimum distances in relation to combustible materials | Rear insulation thickness | 70 mm |
| | Side insulation thickness | 100 mm |
| | Top insulation thickness | 500 mm |
| | Front insulation thickness | 1000 mm |
| | Insulation thickness in relation to the floor | 0 mm |
| Fire risk after burning fuel has fallen | Pass | |

Bois-de-Villers, 2014

Gérard Pitance

Chief Executive and Founder

Jean-François Sidler

Managing Director and Chief Executive

THE EXTENSION OF THE STÛV GUARANTEE: A SIMPLE PROCEDURE FOR MORE PEACE OF MIND.

This fireplace has been designed to offer you maximum pleasure, comfort and safety. Manufactured with great care, from quality materials and components, it will give you satisfaction for many years.

If, despite our best efforts, a fault should occur, we undertake to resolve it.

However, you have to register your product to ensure our after-sales service offers you the best possible attention and is able to meet your needs effectively

Stûv commercial guarantee

Stûv's commercial warranty affects any user of a Stûv appliance (end purchaser). It takes effect on the date of the original sales invoice from the seller to the buyer for new stoves (which have not been subject to being exhibited or used). For second-hand stoves, it will run from the date of the original Stûv sales invoice to the seller. ¹

Duration of the guarantee

Stûv's commercial warranty is:

5 years on the body of the stove

3 years on the electrical and electronic components (fan, thermostat, switch, wiring, etc.)

3 years on other components (base grate, door mechanism, hinges, pulleys, runners, clasps,...)

The right to benefit from extension of the guarantee is subject to adherence to the applicable conditions and the accuracy of the information provided to Stûv.

1

Warranty application conditions



To benefit from this commercial warranty, you must:



1. Have purchased the stove from one of our official resellers. A list of these is available on our website www.stuv.com



2. Send us the duly completed guarantee form within 30 days of your purchase.



There are two options:

compléter le formulaire en ligne sur <http://tech.stuv.com/en/info-and-services/the-stuv-commercial-warranty/register-your-stuv.html>



or send the attached form by mail to your Stûv reseller.

Only duly completed forms will be valid.



You will then receive your Stûv warranty certificate, by email, to the address indicated, or by mail. Keep this document in a safe place. In the event of a problem with your stove, please contact your dealer. You should show them this certificate for the commercial warranty to be effective.

Stûv stoves are guaranteed against:

- manufacturing faults,
- faults with the paintwork on the visible external parts of the stove



The guarantee does not cover

- the components subject to wear and tear (e.g. ash removal grille, vermiculite, seals, flame modeller, control key) which have to be replaced from time to time in normal usage,
- the glass,
- damage caused to the stove or operational faults due to:
 - > installation which does not comply with good practice guidelines and the installation instructions and with national and regional regulations in force,
 - > abnormal usage which does not comply with the directions for use instructions,
 - > a lack of maintenance,
 - > external factors, such as flooding, lightning, fire...
 - > local conditions such as draught problems or faults caused by defective ducts.
- damage caused by:
 - > faulty installation,
 - > overheating,
 - > the use of inappropriate fuel.

The guarantee is restricted to the exchange of components recognized as defective excluding replacement, compensation and interest costs. The replacement components supplied under the guarantee are guaranteed for the remainder of the guarantee period.

* extension of the legal guarantee (of 2 years) to 5/3/3 years subject to adherence to the applicable conditions (see box)

GUARANTEE FORM



Complete your
guarantee form
directly online at
www.stuv.com!

Your responsibility

As a user, you also have an important role to play in ensuring you get the best out of your Stuv.

We strongly recommend:

- that you entrust installation (or in any event check-over) to a qualified professional who is able, in particular, to check that the characteristics of the smoke flue are appropriate for the stove installed and to ensure that installation meets national and regional requirements in this field;
- read the user manual carefully and follow the instructions for maintenance;
- have the flue swept regularly to ensure optimal operation. We recommend sweeping at least once or twice a year and definitely before relighting the stove after a long period of inactivity either in general or just before the season when heat is required.

Please note

As a consumer, you have legal rights under national legislation in force governing the sale of consumer goods. Your rights are not affected by this commercial guarantee.

PLEASE COMPLETE IN BLOCK CAPITALS.

THE PURCHASER

SURNAME
FIRST NAME
ADDRESS
POSTCODE
TOWN / CITY
COUNTRY
E-MAIL

TELEPHONE

LANGUAGE: FR NL DE EN OTHER:

INSTALLATION ADDRESS (IF DIFFERENT)

.....
.....
.....

THE STOVE

SERIAL N°*

THE SELLER

COMPANY
ADDRESS
POSTCODE
TOWN / CITY
COUNTRY
TELEPHONE

DATE OF INVOICE**

INSTALLATION ENGINEER (IF DIFFERENT FROM THE SELLER)

COMPANY
ADDRESS
POSTCODE
TOWN / CITY
COUNTRY
TELEPHONE

COMPLETION DATE

* This is indicated on an information plate attached to the body of the fireplace, see section "Where is the serial number?".

** Stuv s.a. reserves the right to request a copy of the invoice for proof.





CONTACTS

Stûv stoves are designed and manufactured in Belgium by:

Stûv sa
rue Jules Borbouse 4
B-5170 Bois-de-Villers (Belgium)
info@stuv.com – www.stuv.com

Importer for the UK

Jet Master Fires Ltd – Unit 2
Peacock trading Estate, Goodwood Rd
Eastleigh, SO50 4NT, Hampshire
T +44 2380 629 513
sales@jetmaster.co.uk
www.jetmaster.co.uk

Importer for Finland

Importer for Sweden

Importer for Estonia

Stûv reserves the right to make changes without prior notice.
These instructions have been produced with the greatest of care.
However, we do not accept responsibility for any errors that may have been made.
Editor: Gérard Pitance - rue Jules Borbouse 4 - 5170 Bois-de-Villers - Belgium

[nl] [de] [it] [es] [pt] [cz] [en] [fr] >
This document is available in several languages:
Contact your distributor or visit www.stuv.com
