

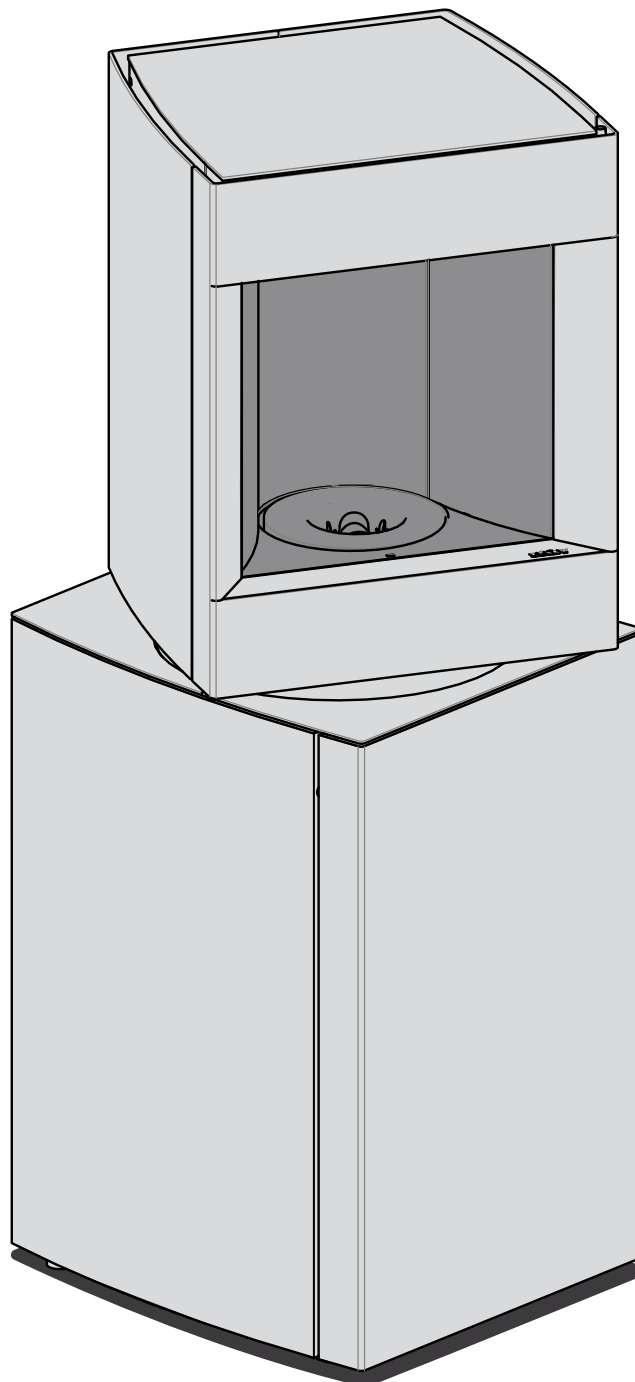
Installation instructions

For professionals

EN

This guide is available in digital format at:
www.stuv.com

Find us also on:



stuv P-10

April 2017
APF 29
172346 > ...

WELCOME TO THE WORLD OF STÛV!

You have just opted for an eco-friendly, high-performance heating system.

We hope that you enjoy using it from this moment on.

You will find advice and the installation instructions in this document.

The operating instructions, which are on an additional leaflet, will guide you on the use and maintenance of your Stûv.

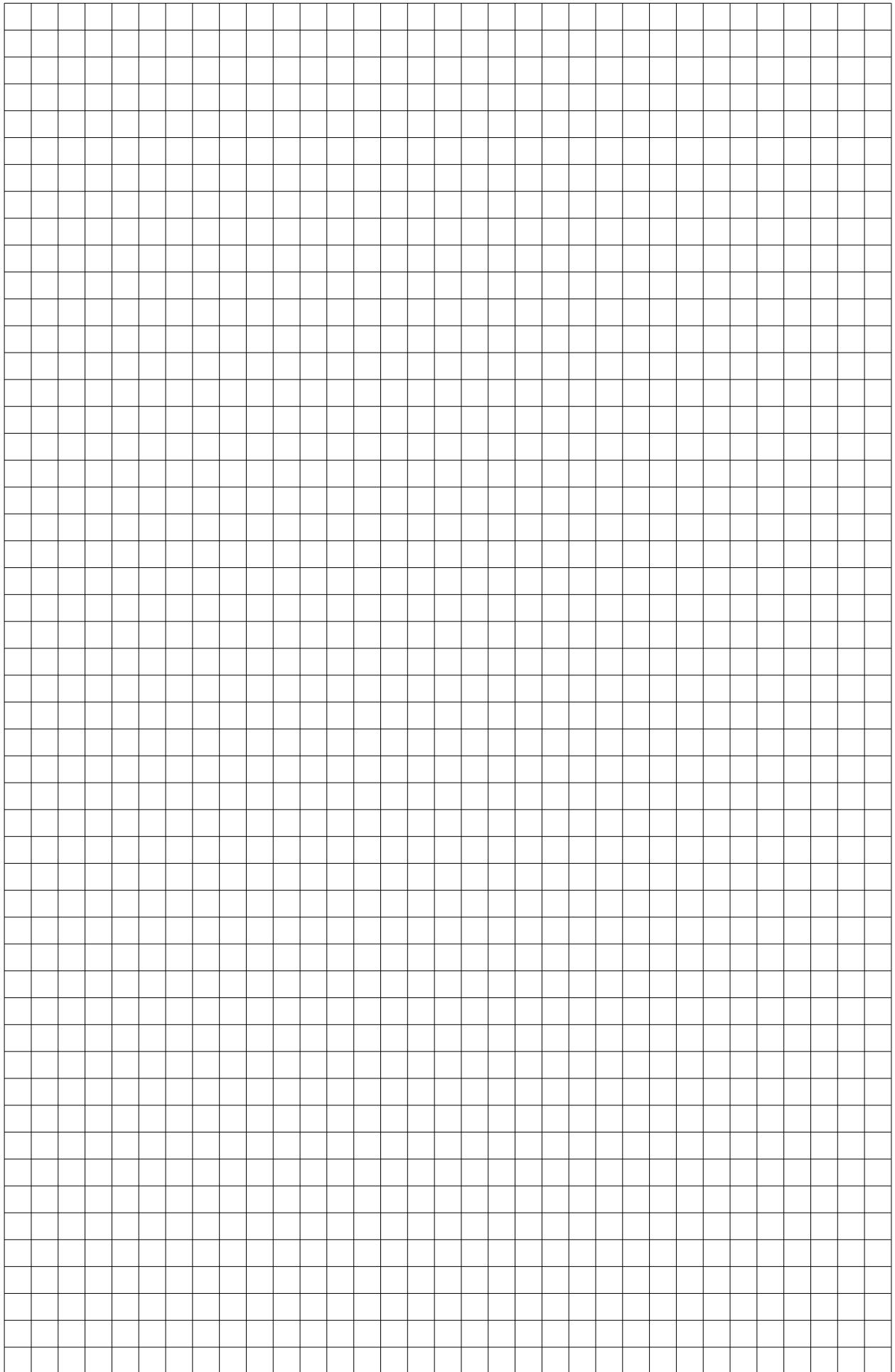
We highly recommend that you entrust the installation of this Stûv to a qualified professional who can especially check that the characteristics of the flue correspond to the installed stove.

The installation of the stove, its accessories and the materials which surround it must comply with all regulations (local and national) and all of the standards (national and European) of the country of installation.

Any changes made to the appliance can be dangerous.

In addition, the appliance will no longer be covered by its warranty.

We recommend that you read this manual before carrying out the installation.



CONTENTS

PRESENTATION OF THE PRODUCT	5
Standards, certification and technical characteristics	6
Stûv P-10 marking	6
Materials and main components	6
Fireplace dimensions	7
Overview of the stove components	8
Facing trim kit - sizes of trim parts (option)	9
PREPARATION OF THE AREA	10
Recommandations	10
Combustion air inlet	10
Electrical power supply	11
Holding capacity of the structure	11
Environment	11
Smoke flue	12
Connection to the smoke flue	13
Circulation of convection air	15
INSTALLATION	16
On taking delivery of the equipment	16
Unpacking	16
Transporting the stove	17
Positioning of the stove	19
Checking the contents of the combustion chamber	20
Connection with outside air (option)	21
Connection to the smoke flue	22
Final assembly	23
STARTING UP	27
Charging the remote control	27
Powering up the Stûv P-10	27
Pairing the remote control	28
Filling the pellet hopper	39
Checks before the first lighting of the appliance	40
Lighting the Stûv P-10	42
Once the appliance is lit...	42
ACCEPTANCE OF WORKS	43
CONTACTS	47

PRESENTATION OF THE PRODUCT

Standards, certification and technical characteristics

The Stûv P-10 stove (for intermittent operation) comply with the requirements of EN European Standards in terms of efficiency, gas emissions, safety etc....

Data provided in this notice are supplied by a certified laboratory.

Results of tests according to EN 14785 standards: 2006
Domestic wood pellet convection heating appliances

Stûv P-10s are covered by:
patents nos.:
EP 2304319
JP 5390603
US 8.904.944
US 8.826.899
+ Patents pending

model drawing nos.:
DM/72417
DM/72418
002500942-0001
002500942-0002



Stûv P-10

System mass	175 kg	
Nominal heat power:	8 Kw	
Heat output at reduced speed	2.4 Kw	
Minimum diameter of the duct for the intake of outside combustion air (if the stove is not connected to outside air)	30 cm ²	
Efficiency at rated power	90.5 %	
Performance at reduced power	94.5 %	
Average smoke temperature at rated power, at the output of the appliance	217 °C	
Average smoke temperature at reduced power, at the output of the appliance	94 °C	
Minimum safety distance from adjacent combustible materials:	> behind (from the bottom)	7 cm
	> on the sides	10 cm
	> below	0 cm
	> above	50 cm
CO emissions at rated power	0.001 %	
CO emission at reduced power	0.028 %	
Particle emissions (at rated power)	5 mg/Nm ³	
Weight-flow ratio of smokes (at rated power)	5.1 g/s	
Mass flow of smoke at reduced power	2.8 g/s	
Recommended draught at maximum power	6 Pa	
Recommended draught at minimum power	3 Pa	
Minimum draught at the output of the appliance for flue calculation.	0 Pa	

Standards, certification and technical specifications (continued)


Requirements relating to the electrical power supply

Voltage	230 V
Frequency	50 Hz
Electric power consumption on ignition	1000 W
Electrical power consumption under normal operation	40 W

Requirements relating to fuel

Recommended fuel	Wood pellets only
Certification	Din plus, EN plus A1
Diameter	6 mm

Stûv P-10 marking

	Heating output	P _{nom}	8.0kW	nominal
		P _{part}	2.4kW	reduced
Stûv S.A Rue Jules Borbouse 4, 5170 Bois-de-Villers 15 Notified Body 1881 Declaration of performance number : 15QA151478501	Measured CO (at 13% oxygen content)	CO _{nom}	0.001%	nominal
		CO _{part}	0.028%	reduced
EN 14785 : 2006 Stûv P-10 Read and follow operating instructions	Average temperature of the smoke at the appliance's outlet	T _{nom}	217°	nominal
		T _{part}	94°	reduced
Version française disponible dans la notice d'utilisation Nederlandse versie beschikbaar in de gebruikersgids Deutsche Version in der Installationsanleitung La versione italiana è disponibile all'interno della guida utente Versión española disponible en el manual del usuario Versão portuguesa disponível no Manual do Utilizador Česká verze je k dispozici v uživatelské příručce Wersja polska dostępna w instrukcji obsługi	Minimum clearance distance from combustible materials	dr	70mm	rear
		ds	100mm	sides
Use only recommended fuel : Wood pellets diameter 6 mm, quality standard EN plus A1	Appliance efficiency	η _{nom}	90.5%	nominal
		η _{part}	94.5%	reduced
Rated input power			1000W	peak
			40W	average
Rated voltage			230V	
Rated frequency			50Hz	

Materials and main components

The Stûv P-10 consists mainly of:

- > Painted steel sheets/tubes for structural and facing elements
- > The bottom facings are available in a oak-veneered wood panel finish (light or dark)
- > Vermiculite for the inside of the combustion chamber
- > Cast steel for the structural elements of the burner
- > Aluminium for the smoke extraction flue
- > HDPE for the Pellet hopper

> A trim finishing kit is available to trim the bottom facings. In this case, the installer should check that the material chosen corresponds to the use for which it is intended.

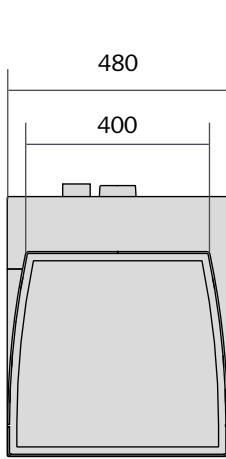
All of these components are deemed to be compliant within tolerances and national practices.

Stûv has a determinedly proactive responsible environmental approach. We think about the end-of-life of our products.

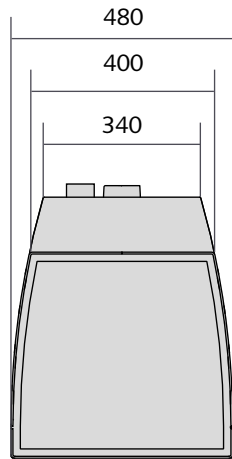
Each of the device's components can be isolated so that sorting can be carried out and therefore optimum recycling.

Removal of the various parts must be done in accordance with local and national regulations.

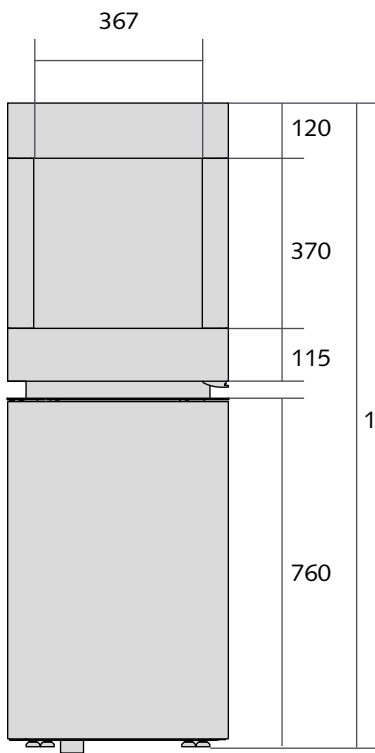
Fireplace dimensions



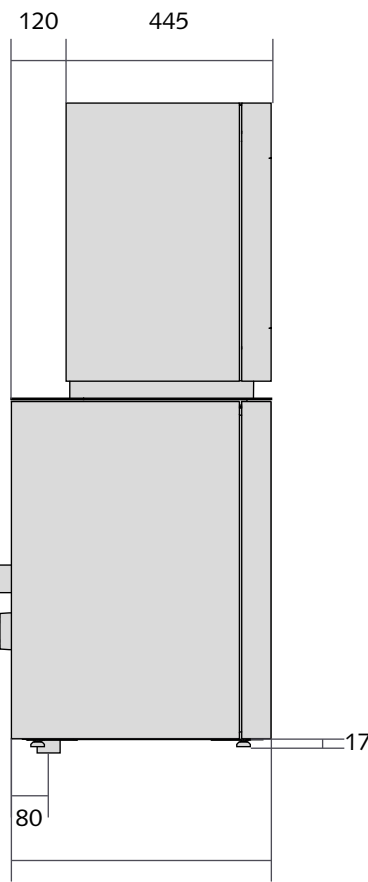
wood and "to be trimmed" version



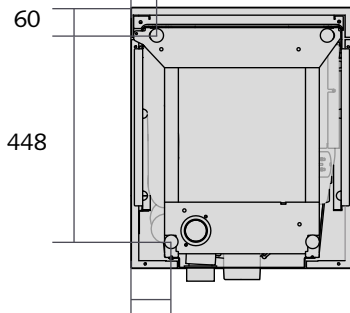
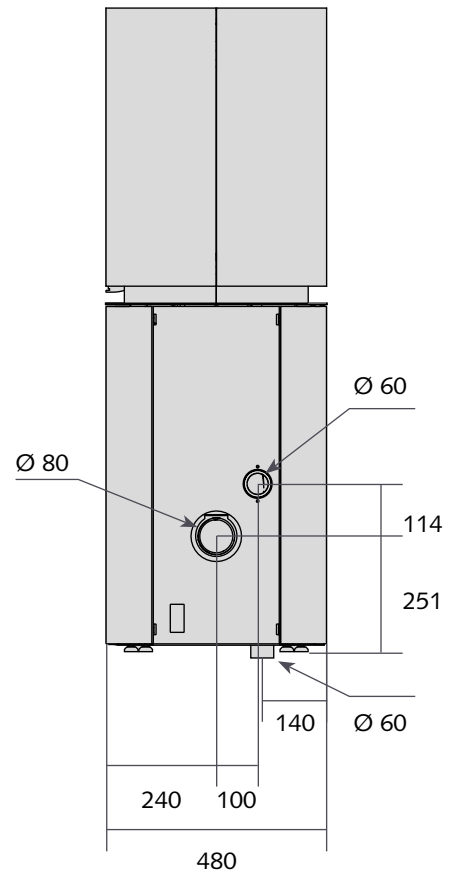
sheet metal version



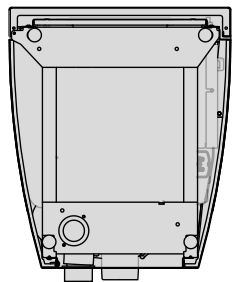
55 wood and "to be trimmed" version



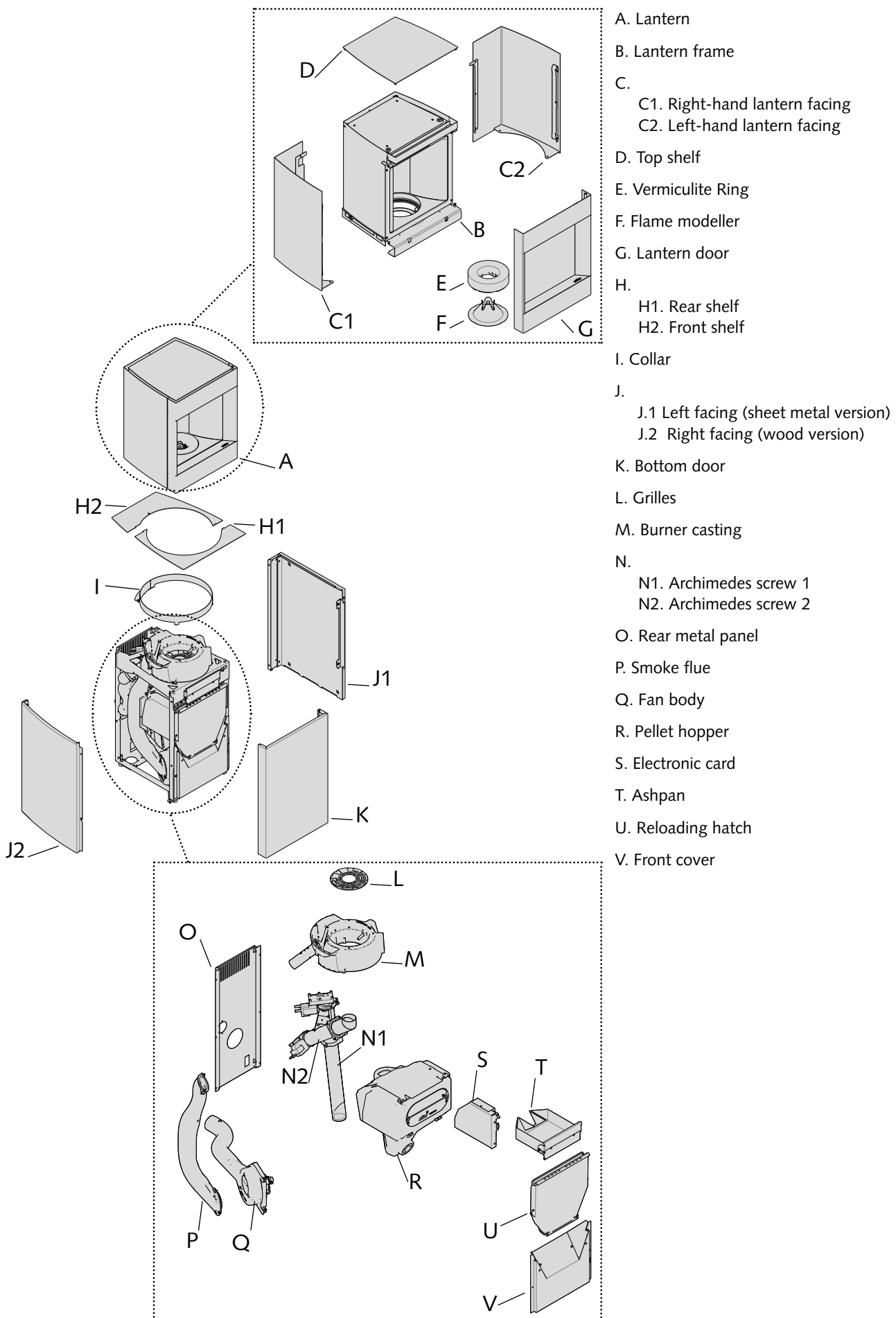
sheet metal version 565



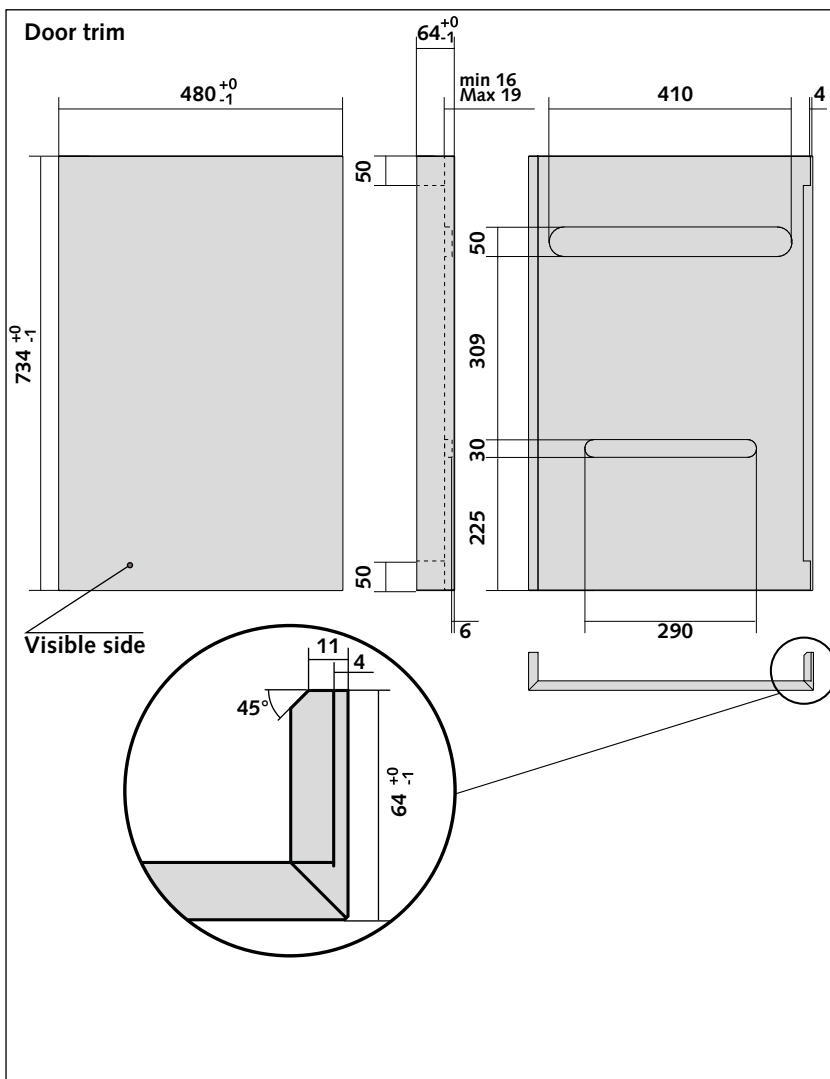
70



Overview of the stove components



Facing trim kit - sizes of trim parts (option)

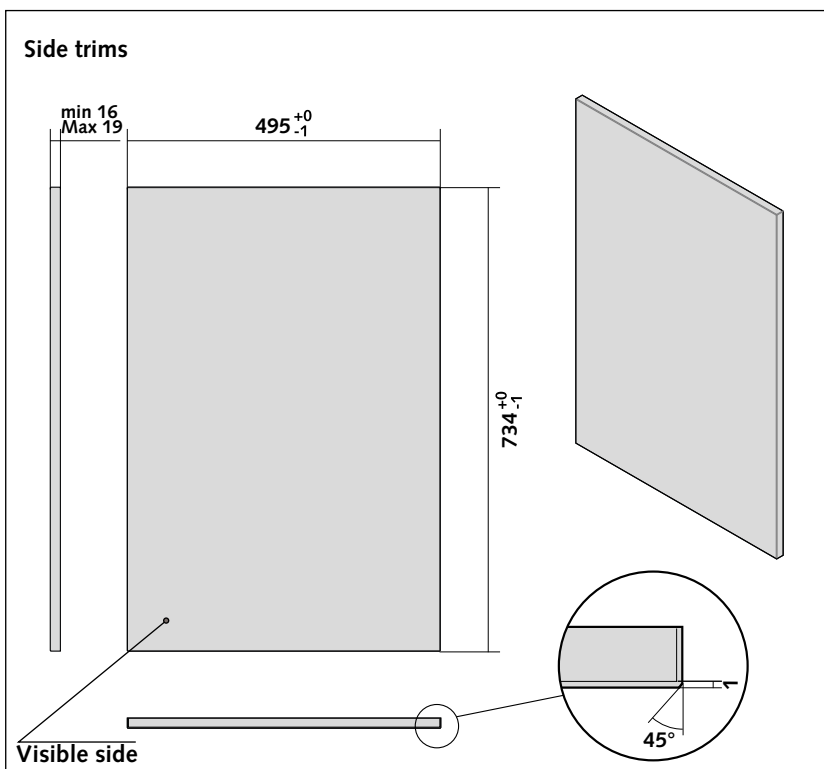
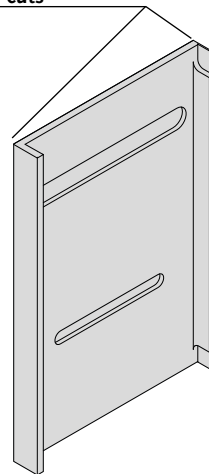


Using the Facing Trim kit, the Stüv P-10 offers the possibility of trimming the bottom facings in the material of your choice

The thickness of the material must be between 16 and 19mm.

If the material allows, break off the outer end of the panel.

Assemble with tabs with 2 x 45° cuts



Precautions with respect to trim materials

There is a free choice of trim material, but it can reach a temperature of 85°. It is important to make sure that the trim material can withstand this temperature, in terms of both its structural integrity and the risk of the release of harmful substances.

The trim must not exceed;

- in the case of the door: 30kg
- in the case of the side facing panels: 25kg

PREPARATION OF THE AREA

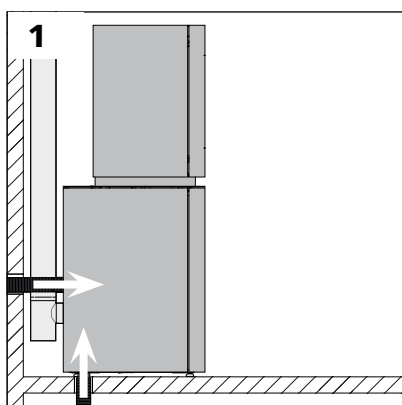
Recommandations

The stove has to be installed in such a way as to facilitate access to sweep the stove, the connection duct and the smoke flue.

Provide for a sufficient clearance to be able to conduct operations on each of the sides of the appliance.

Only use the parts supplied or recommended by the manufacturer, Stûv s.a.

Combustion air inlet



The stove requires air for combustion.

The ideal solution

The Stûv P-10 is designed to be connected directly to an outside air inlet (independent of the air in the house) by an independent flexible tube [diagram 1] or a concentric conduit [diagram 2]. We recommend one of these arrangements.

If the stove is not connected directly to an outside air inlet...

A sufficient air inlet (minimum 30 cm²) should ideally be created close to the stove.

This air inlet comes from a ventilated empty space, a ventilated room (cellar) or from outside [diagram 2].

Certain local regulations make these measures obligatory. Local and/or national regulations take precedence over our recommendations..

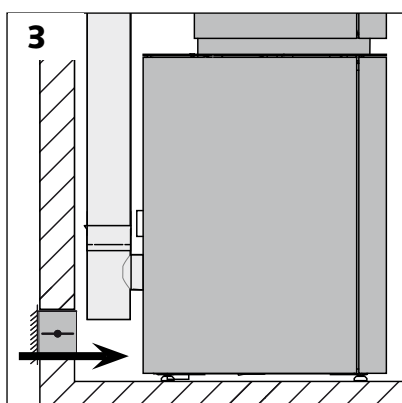
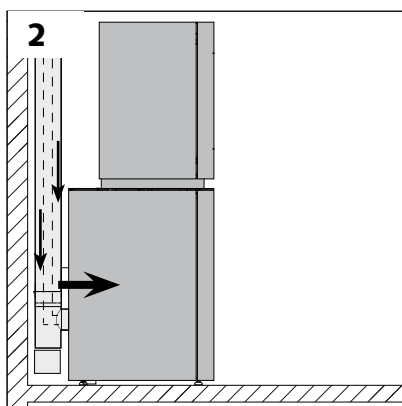
The duct that brings in outside air... (whether it is connected to the stove or not)

... will be protected on the outside by a grill the free passage section of which is at least equivalent to the section of the air inlet. Please note that the infiltration of water and the effect of the wind can damage the system.

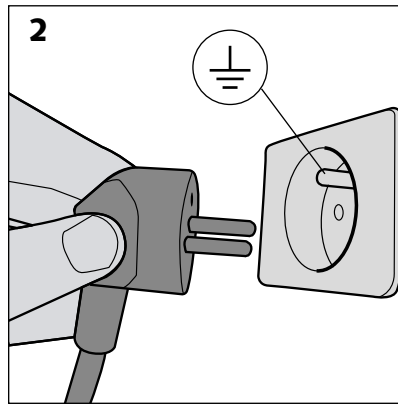
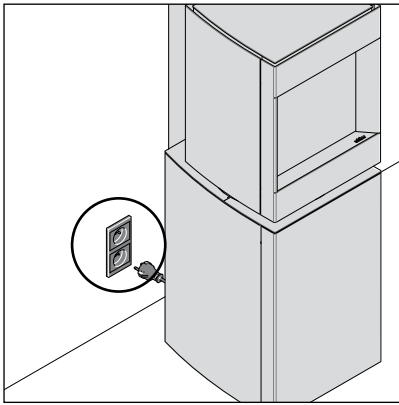
... will be as short as possible to prevent pressure loss and to prevent making the house cold.

If you use our standard flexible Ø 60 mm flue, we recommend a maximum length of 5 m and no more than 4 elbows. If you exceed these guidelines, you must compensate with a greater diameter and/or a smoother duct.

Careful not to crush the flue.



Electrical power supply



Provide for an electrical supply, ideally at the rear of the unit.

The wall plug must remain easy to access once the installation is completed.

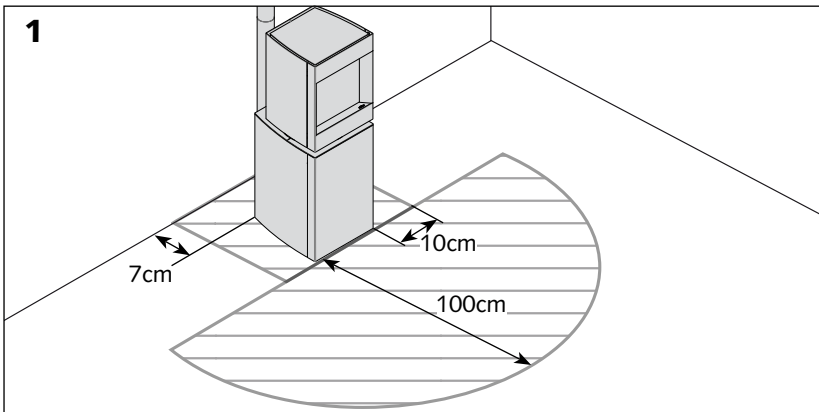
Caution!

It is imperative that the plug and the electrical installation are earthed and are fitted with a differential circuit breaker.

Holding capacity of the structure

Ensure that the resistance of the floor is sufficiently strong to support the stove and the construction of the cladding. If in any doubt, please consult a specialist.

Environment

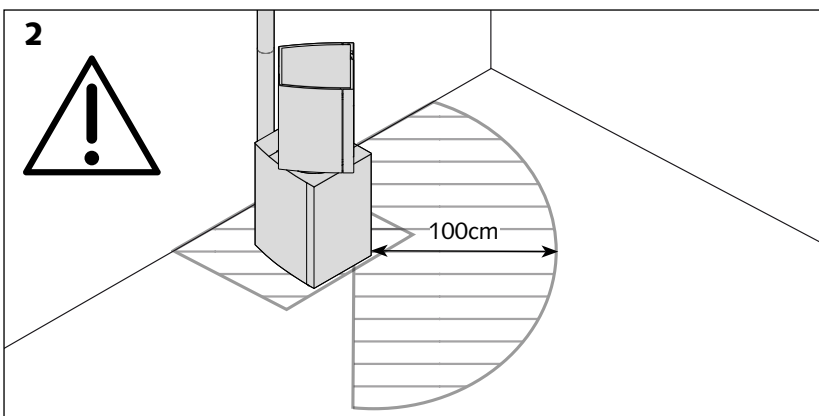


The heat radiated from the glass door and the walls may be significant.

Whichever way the stove is pointing, observe the safety distances related to combustible materials [diagram 1] or ensure that the materials exposed to radiated heat are resistant to high temperatures.

Caution!

Given that the lantern pivots 45° to the left and 45° to the right, the safety distance must follow the direction of the flame [diagram 2].



Avoid "heat traps" in the hood

If the stove is situated in a bell-shaped area (ex: a former hearth), this space must be ventilated to prevent "heat traps". Allow a clearance of at least 10 cm above the device.

Smoke flue

Ensure the flue's dimensions meet local regulations and the applicable installation standards in line with good practice.

Basic information

For good draught, the stove must be suited to the flue (or vice versa).

An oversized flue is as detrimental to the smooth operation of the stove as an undersized flue.

As the Stûv P-10 is a highly efficient stove, the smoke flue must be of good quality. The flue must also be as straight and smooth as possible and insulated to encourage drawing and to prevent condensation.

The ideal solution is a flue built inside the building and thermally insulated. An outside flue without any insulation must be avoided.

The stove must never be connected to a smoke flue serving several systems.

Take care to avoid heat loss!

If several chimney flues are available, only use one. Cap unused flues top and bottom.

Standard outlet diameter

The use of flues that are 80 mm in diameter should be preferred.

Some flue configurations may require a different diameter than that provided as standard. Should this be the case, please consult your retailer

Special cases...

The maximum length of the horizontal parts is 2m with a minimum slope of 5%.

Maximum number of elbow joints:

> 3 x 90° elbow joints

> 6 x 45° elbow joints

Flue designations

Temperature class	T 250
Pressure class	N1
Condensation resistance class	W*
Chimney fire resistance class	G
Corrosion resistance class	2*

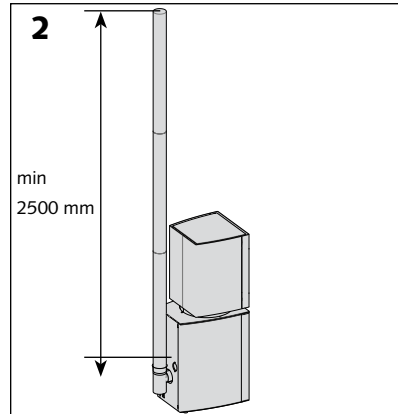
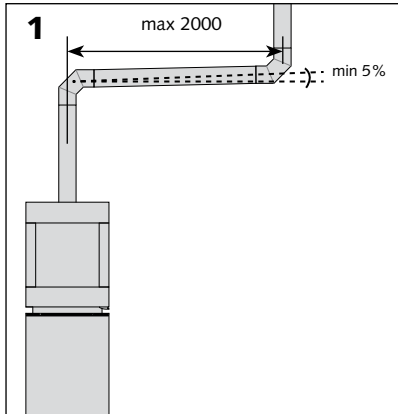
*A flue labelled D2 (dry) may be used after justification using the calculation method from EN 13384-1

Maximum length of the flue - (for factory settings; minimum power of 3.7 kW and minimum airflow 160)

	Inside flue (calculation basis - ambient temp. of 15°C)				Outside flue (calculation basis - ambient temp. of -10°C)			
	Ø 80	Ø 100	Ø 130	Ø 150	Ø 80	Ø 100	Ø 130	Ø 150
Double-wall insulated flue	9.0 m	11,0 m	11,0 m	11,0 m	9.0 m	11,0 m	9,0 m	8.0 m
concentric flues (Ø 80/130 only)	8.0 m	/	/	/	/	/	/	/
Masonry fireplace (starting on the ground) with flexible tubing	9.0 m	8.5 m	7.0 m	6,5 m				
Single-wall connection duct (2m) + insulated flue pipe (start at the ceiling)	9.0 m	11.0 m	11,0 m	10,5 m				
Single-wall connection duct (2m) + masonry flue (start at the ceiling) with flexible tubing	7,0 m	6,4 m	5,5 m	5,0 m				

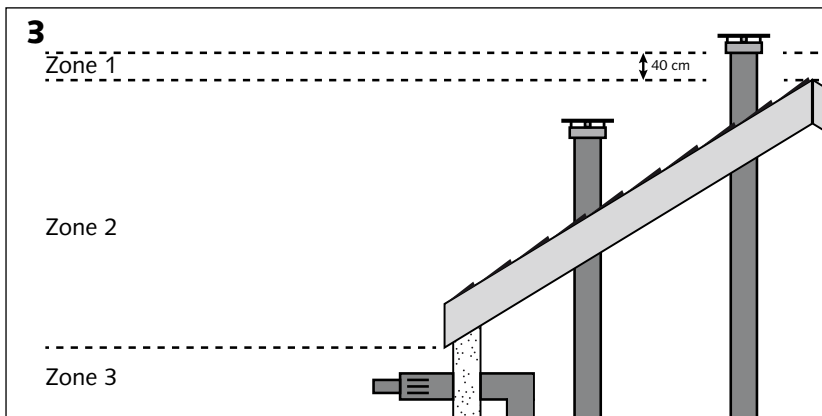
Stûv offers a calculation file that gives an idea about the risk of condensation on your configuration. If, despite this, condensation occurs, it is possible to restrict the device in order to increase the minimum temperature. Caution! This file is given for information only, it does not replace the calculation method from standard EN 13384-1.

Connection to the smoke flue



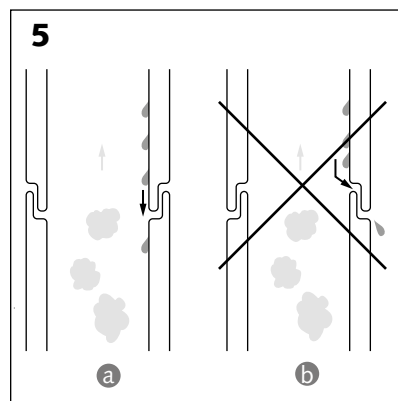
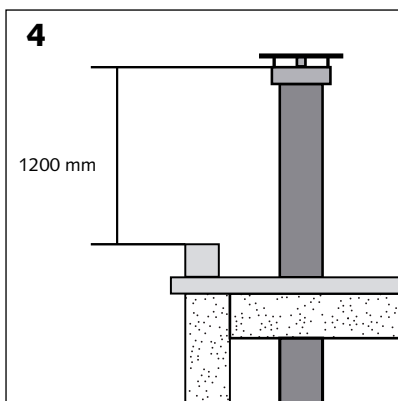
The length of the horizontal flue must be 2m at the most and with a minimum slope of 5%.

The maximum height of the flue must be 2.50 m.



Authorized outlet [see Figure 3]

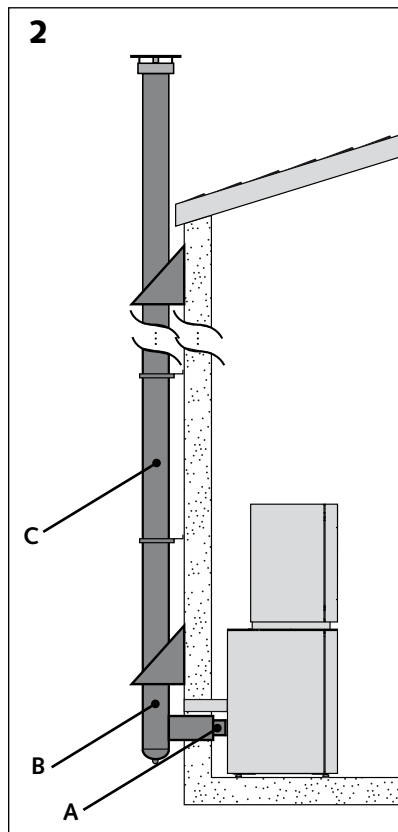
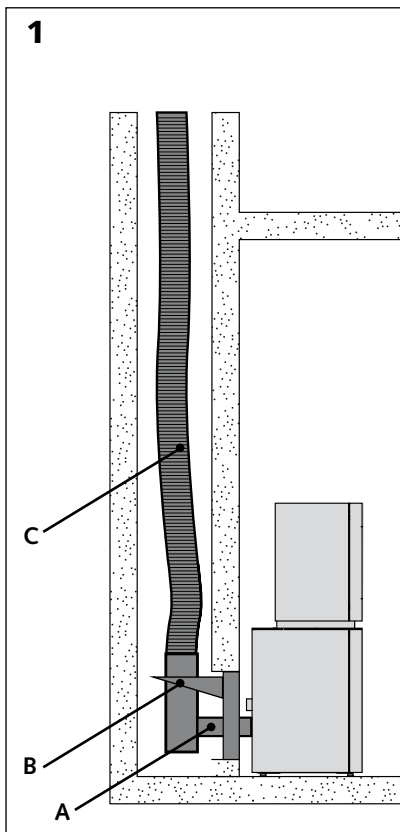
Flue type	Zone 1	Zone 2	Zone 3
concentric flues (Ø 80/130 only)	✓	✓	
all other flues	✓		



It is recommended that a flue is used whose outlet extends by at least 400 mm above the ridge of the roof or by at least 1.2 m for a flat roof.

Air-tightness

The various components which make up the connection between the stove and the smoke flue and those which make up the flue itself have to be fitted so that they are airtight for the condensation [diagram 2/a] rather than the smoke [diagram 2/b].



Connection to a masonry chimney [diagram 1].

A tube must be used in a masonry chimney to avoid condensation.

> Connect the single-wall connection duct [A] to a 90° tee-piece with a plug [B].

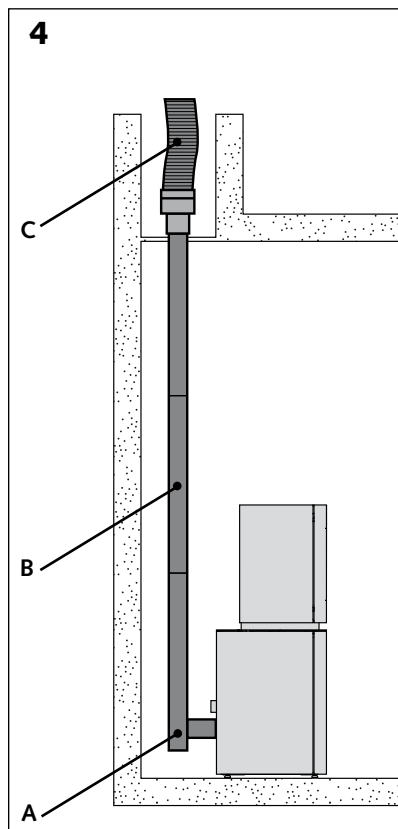
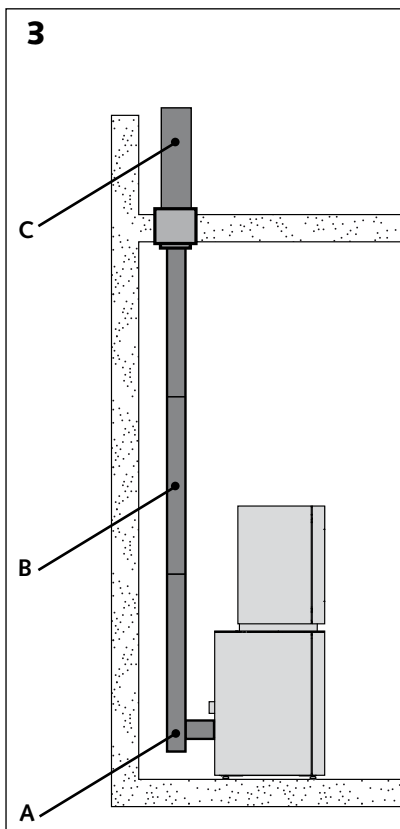
> Fit flexible ducting inside the chimney to tube it [C].

Connection to an outside insulated flue [diagram 2].

The outside flue must be insulated.

> Connect the single-wall connection duct [A] to a 90° double-walled tee-piece with a plug [B].

> Use double-wall stainless steel ducts [C].



Connection through a new inside flue [diagram 3].

> Install a 90° tee-piece with plug [A].

> The connection duct may be single- or double-walled [B].

> Use insulated ducting from the ceiling of the room where the stove is installed [C].

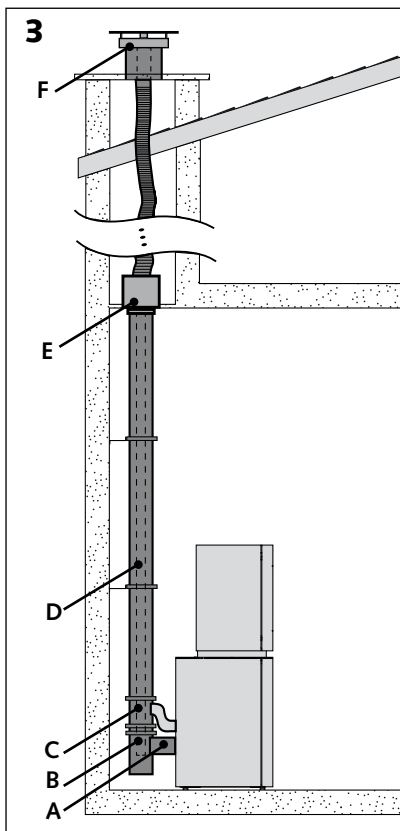
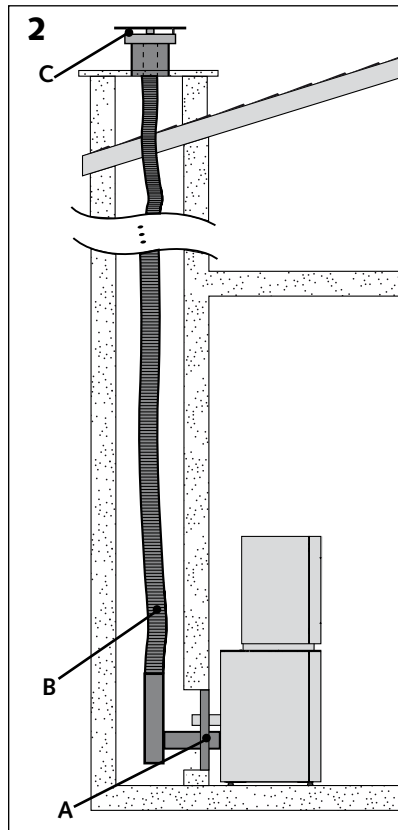
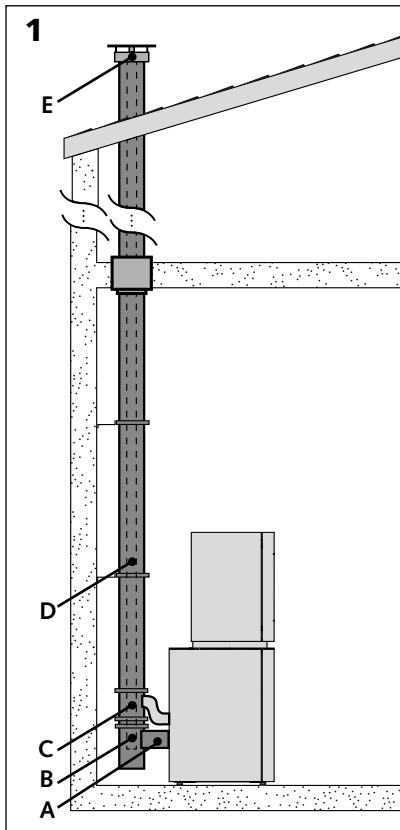
Connection through an existing inside flue [diagram 4].

A tube must be used in an existing chimney to avoid any condensation problems.

> Install a 90° tee-piece with plug [A].

> The connection duct may be single- or double-walled [B].

> Fit flexible ducting inside the chimney to tube it [C].



Evacuation of combustion products via a Poujoulat PGI concentric flue.

NB: PGI concentric flues are only to be installed inside the building.

Connection to a new flue [diagram 1].

> Connect the connection adapter reference AP 80 PGI - code 37080466 [A] to a 90° concentric T connection [B].

> Install an air intake to feed the air required for combustion into the appliance [C].

> Use PGI concentric flues continued [D].

> Install a PGI cap plate in zone 1 or zone 2 [E].

Connection via a masonry chimney [diagram 2].

In this configuration, the air required for combustion comes from the gap between the flue and existing masonry.

> Install the "floor offtake" kit reference KRFL PAH PGI [A].

> Line the chimney with a flexible flue up to the PGI cap plate [C].

Connection via an existing interior flue [diagram 3].

> Connect the connection adapter reference AP 80 PGI - code 37080466 [A] to a 90° concentric T connection [B].

> Install an air intake to feed the air required for combustion into the appliance [C].

> Use PGI concentric flues Ø 80/130 [D].

> Install the "ceiling offtake" kit reference: KFRL PGI [E].

> Line the chimney with a flexible flue up to the PGI cap plate [F].

Connection to the smoke flue

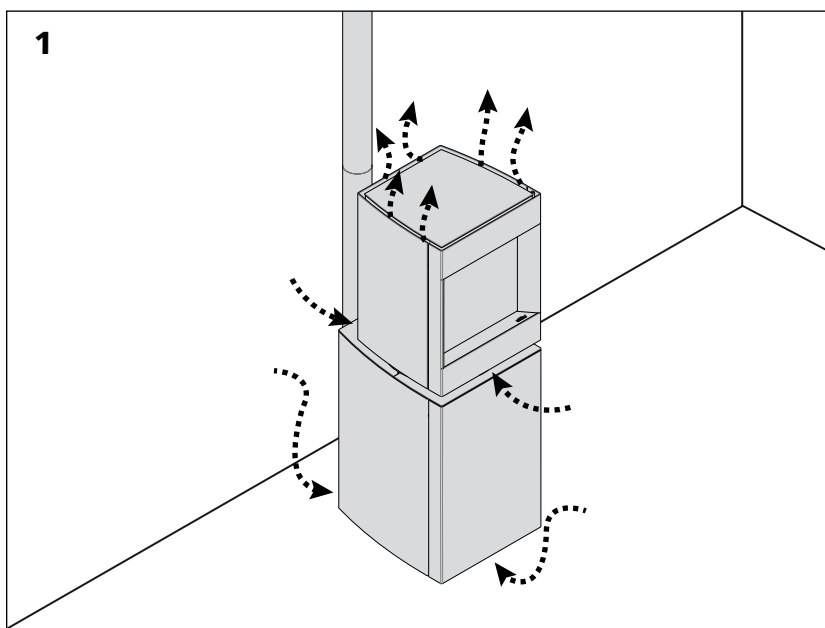
If condensate drainage is provided for at the bottom of the flue (siphon off to drain) and/or if your flue matches the table below, it is possible to de-restrict the appliance in order to reduce the minimum temperature of the stove.

Maximum length of the duct if minimum output = 2.5 kW and minimum airflow 135

	Inside flue (calculation basis - ambient temp. of 15°C)				Outside flue (calculation basis - ambient temp. of -10°C)			
	Ø 80	Ø 100	Ø 130	Ø 150	Ø 80	Ø 100	Ø 130	Ø 150
Double-wall insulated flue	6,5 m	5,5 m	4,5 m	4,0 m	4,0 m	3,5 m	2,5 m	/
concentric flues (Ø 80/130 only)	8,0 m	/	/	/	/	/	/	/
Masonry fireplace (starting on the ground) with flexible tubing	3,0 m	2,5 m	/	/				
Single-wall connection duct (2m) + insulated flue pipe (start at the ceiling)	6,0 m	5,0 m	/	/				
Single-wall connection duct (2m) + masonry flue (start at the ceiling) with flexible tubing	3,0 m	/	/	/				

Stûv offers a calculation file that gives an idea about the risk of condensation on your configuration. If, despite this, condensation occurs, it is possible to restrict the device in order to increase the minimum temperature. Caution! This file is given for information only, it does not replace the calculation method from standard EN 13384-1.

Circulation of convection air



The circulation of convection air in the Stûv P-10 is done naturally.

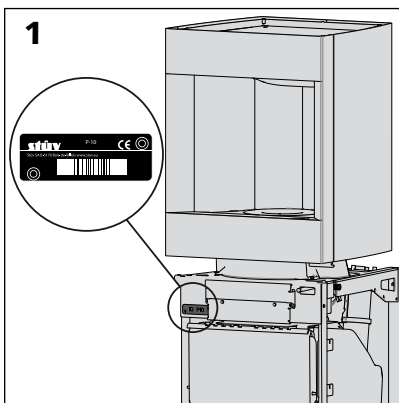
The air intake is in the base of the unit and under the lantern. Hot air comes out of the top part of the product [diagram 1].

Ensure that the air ducts are always kept free!

This circulation of convection air also has an impact on the thermostat regulating the appliance. To operate correctly, place the remote control in the room where the Stûv P-10 is located but not too close to the stove or too exposed to sunlight.

INSTALLATION

On taking delivery of the equipment



Please note!

When you take delivery of the stove, please check that the glass has not been broken during transport. The guarantee only covers damage caused during transport if mentioned on the delivery note.

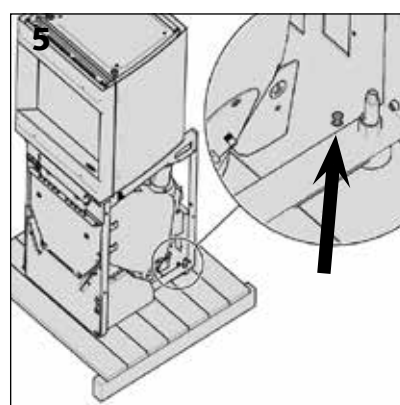
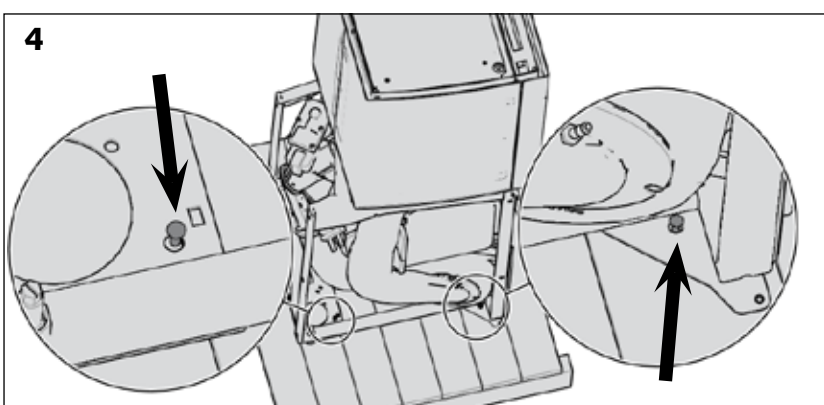
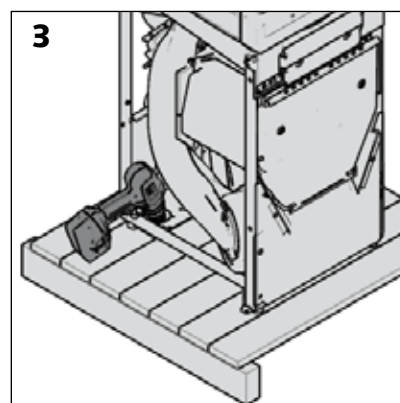
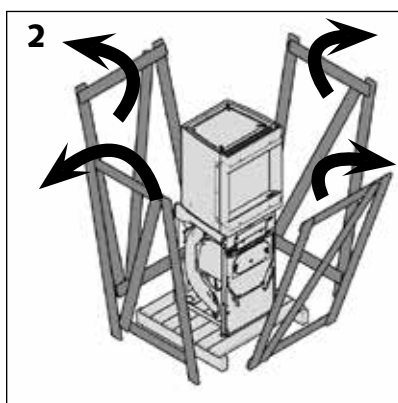
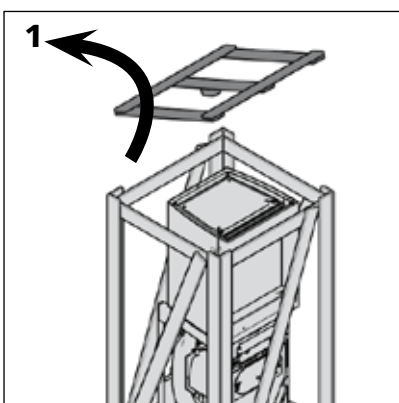
Accessories

If accessories have been ordered, they can be found around the stove or its packaging. Check receipt of these.

Complaints

In the event of a complaint, always quote the serial number which can be seen on the stove [diagram 1].

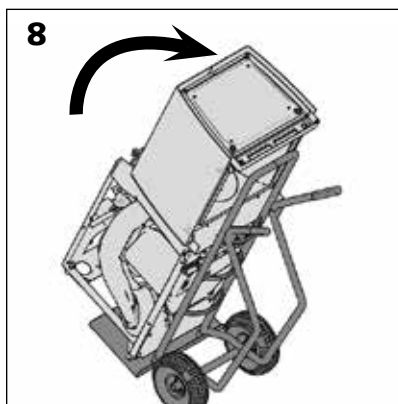
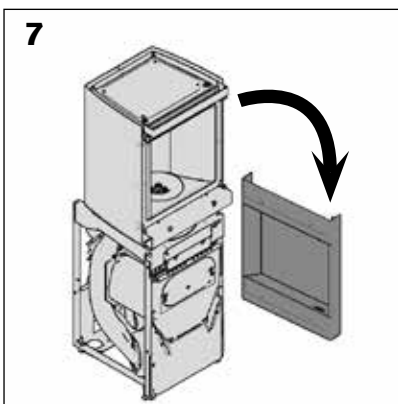
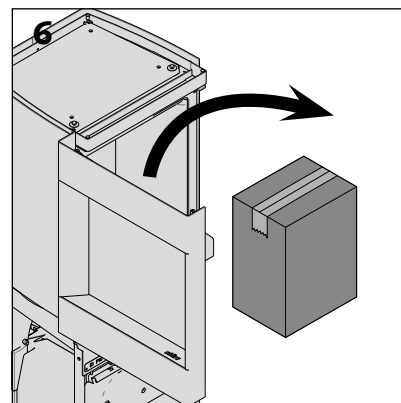
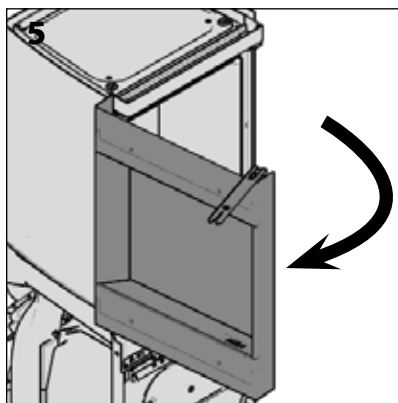
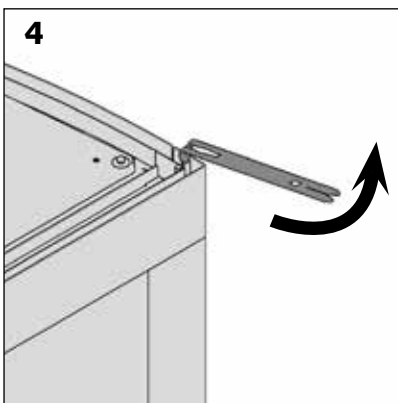
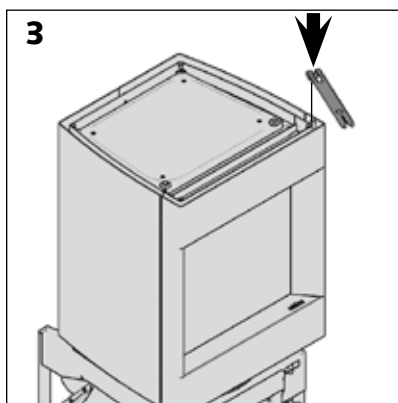
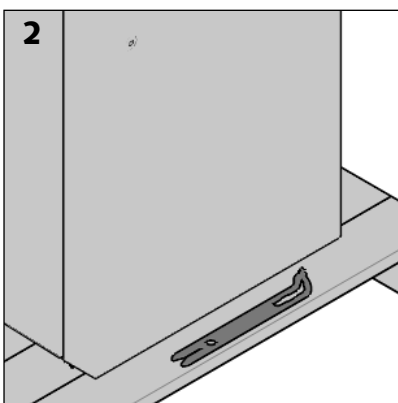
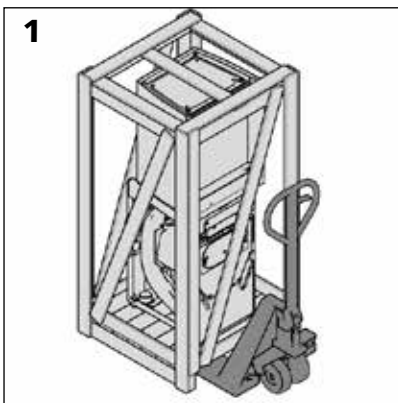
Unpacking



> Disassemble the pallet, starting from the top.

> Unhook each side with a crowbar.

> Unscrew the three screws that are holding the stove on the pallet [diagrams 3, 4 and 5].



Please note!

The paint is not oven baked and is therefore relatively fragile but will harden after being heated a few times. Handle the system with care when installing.

Moving

While the stove is still packaged, you can use a pallet loader [diagram 1] or a hand-lift truck [diagram 8].

To use a trolley:

> unhook the door of the lantern [diagrams 4, 5 & 7].

Note:

During this first opening of the appliance door, remove the box contained in the combustion chamber [Diagram 6]. Check the contents of the box (see chapter "checking the contents of the combustion chamber").

> Put protection on the trolley (e.g. cover, cardboard, etc.).

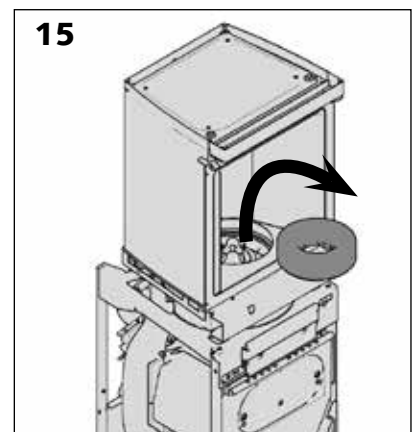
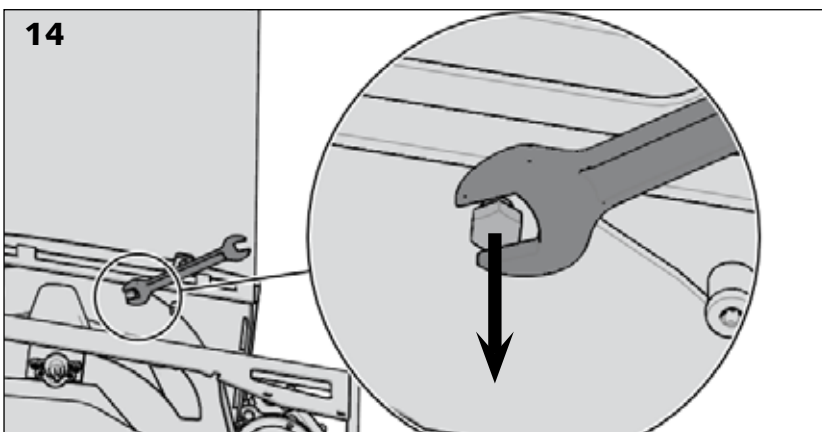
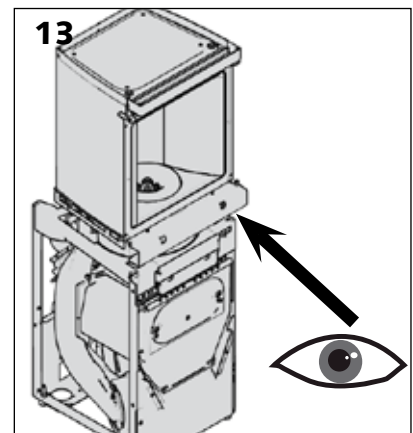
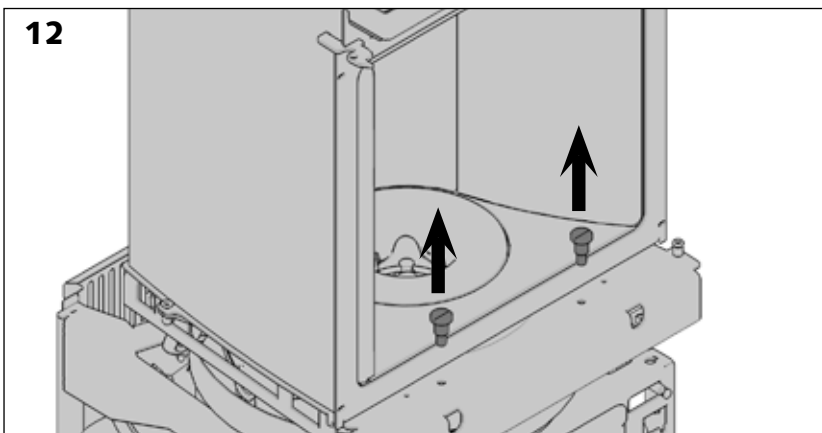
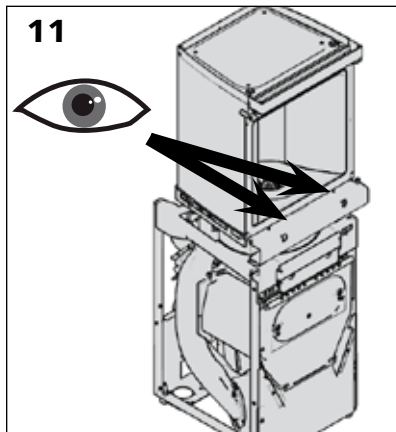
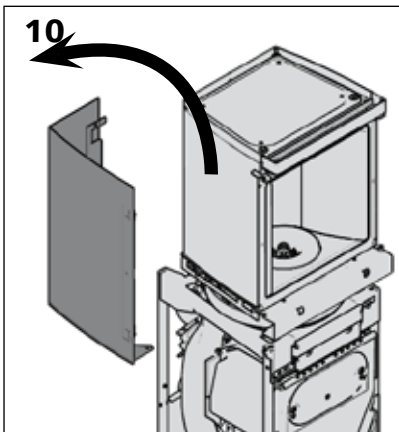
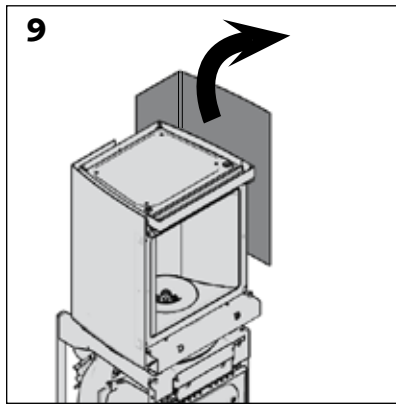
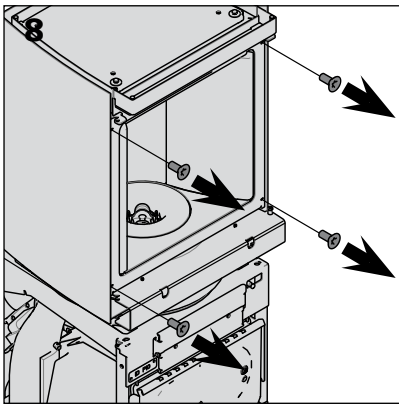
> Take hold of the stove by the front.

Caution!

When you receive the appliance, the top and bottom parts are joined using the lantern's locking screws. Later in this chapter we will explain how to remove these screws which are only used for transport. For any subsequent transport, replace at least 2 of the 3 screws or move the top and bottom parts separately.

> Bring the Stüv P-10 close to its final location.

Transporting the stove



If the conditions so require, it is possible to make the stove lighter by separating the top part from the bottom part of the Stuv P-10.

> Remove the facings from the top part [diagrams 8,9 and 10].

> On initial dismantling, unlock the lantern [diagrams 11, 12, 13 and 14].

> Remove the vermiculite ring [diagram 15].

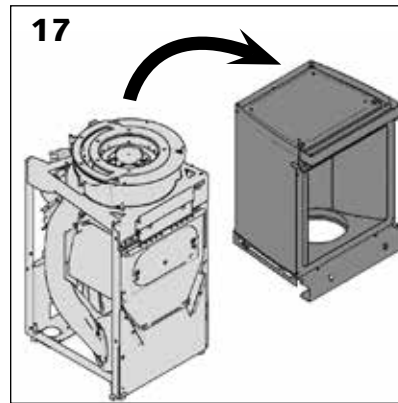
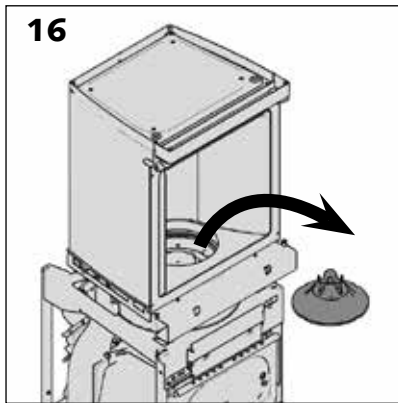
> Remove the flame modeller. Use the central grip point [diagram 16].

> Remove and take away the upper part of the stove.

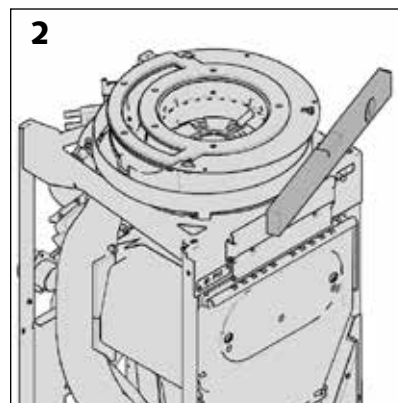
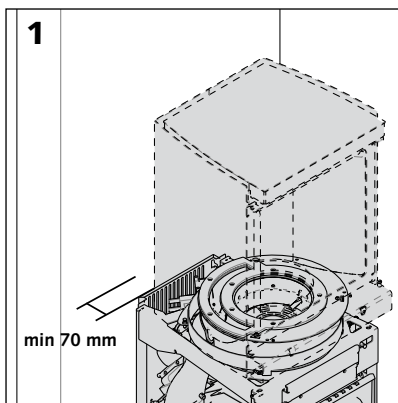
Caution!

Each part is heavy, so make sure that there are two persons to hold these assemblies.

Transporting the stove



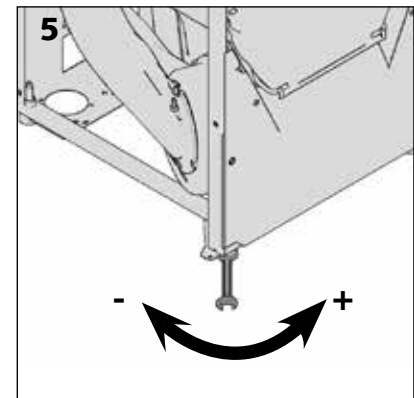
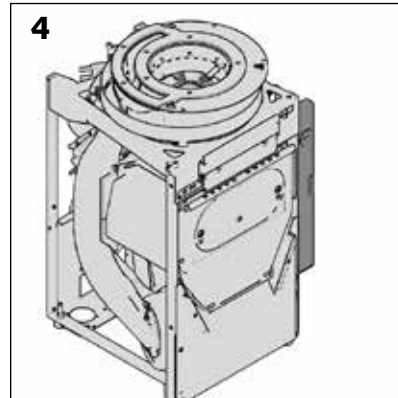
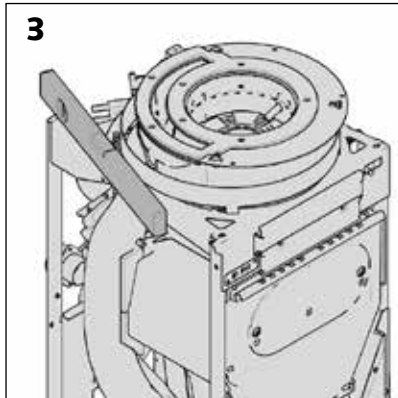
Positioning of the stove



> Position the stove in its final position

> Leave at least 70 mm between the back of the unit and the wall at the rear.

> Use a spirit level on the frame to ensure that the appliance is positioned correctly (this will have an impact on the different connections).



Caution!

Do not go below the minimum height from the ground to the bottom of the unit (feet screwed to the maximum).

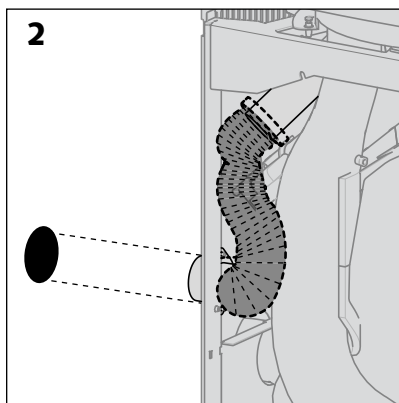
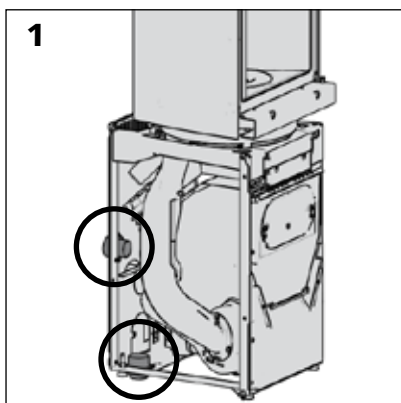
1



The following are included in the box in the combustion chamber:

- > a can of spray paint (1)
- > the flame modeller (2)
- > the vermiculite ring (3)
- > the installation and operating instructions for the appliance.

Connection with outside air (option)

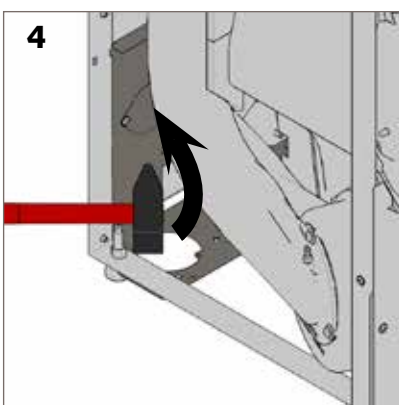
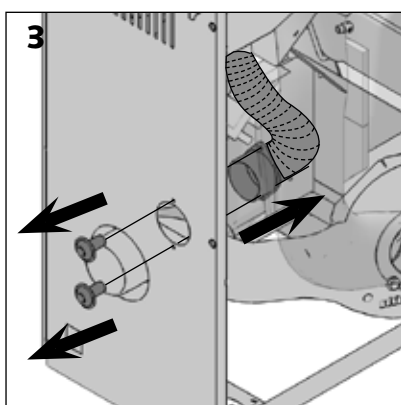


The diameter of the duct should be 60 mm, it can be connected either from the rear from the ground [diagram 1].

The duct must not be longer than 5 metres and must not have more than 4 elbows.

After factory adjustments, the flange is connected to the back of the device [figure 2].

To install the air intake through the bottom of the stove:



> unscrew the flange from the back of the device [figure 3]

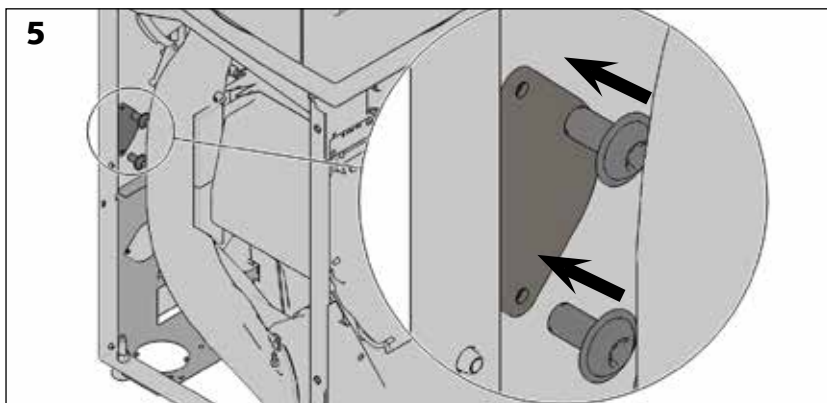
> break the pre-cut section at the bottom of the sheet [figure 4]

> position this piece of the sheet to block the opening of the rear trim [figure 5]

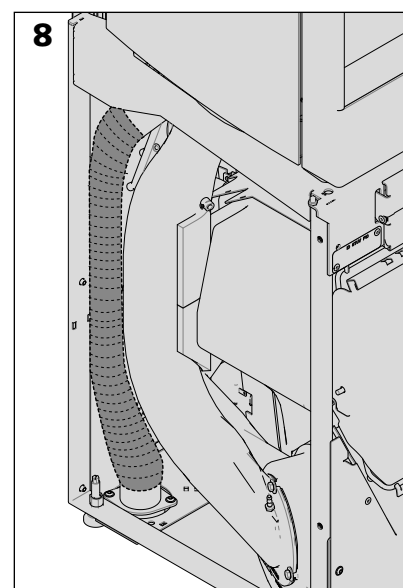
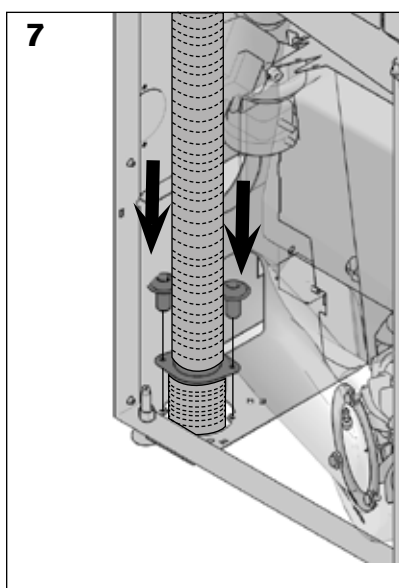
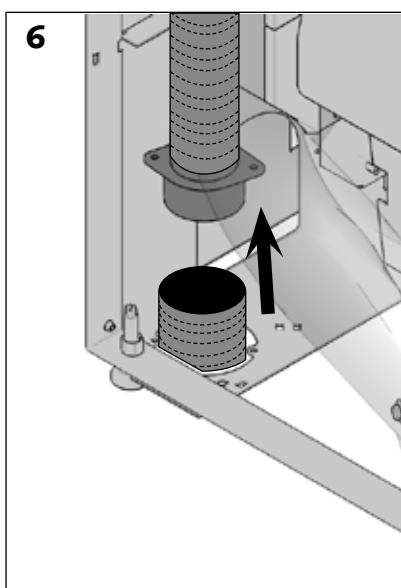
> Pull the hose conveying the outside air into the appliance [diagram 6]

> Secure the hose to the flange

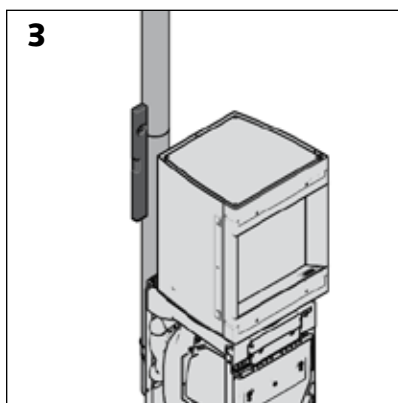
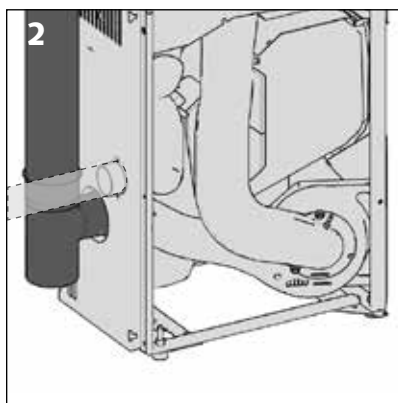
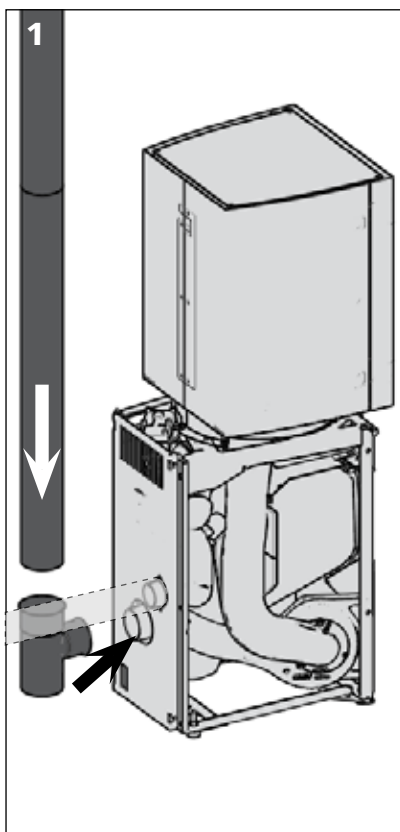
> Screw the flange to the appliance from the inside of the stove [diagram 7].



If you are not connecting your stove to the outside air, provide for an air intake with a cross-section greater than 30 cm² in the room where the stove is installed.



Connection to the smoke flue



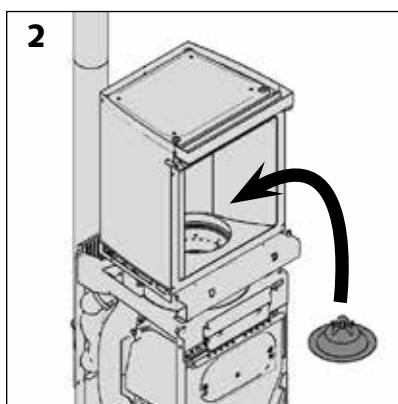
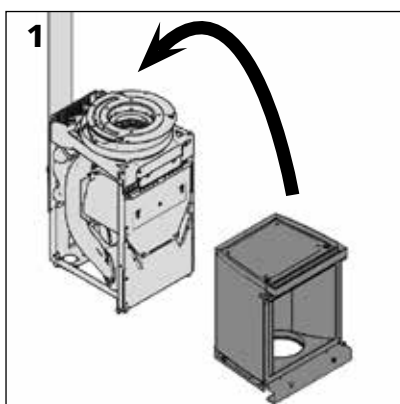
The 80 mm-diameter ducting connects to the centre of the back of the appliance.

We strongly advise that a 90° tee-piece is fitted along with a soot box for easy collection and removal of any condensate.

Warning!

Do not forget to order a female connector to be able to connect the appliance's 80mm Ø smoke outlet to the 80mm Ø connecting flue.

Final assembly



If the top part of the appliance has been removed:

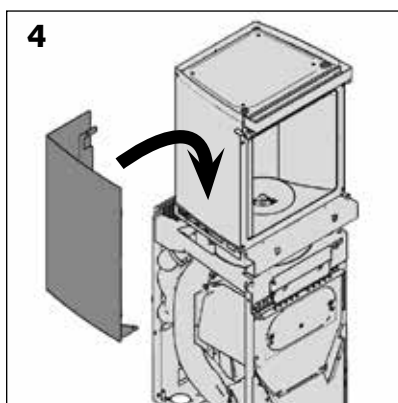
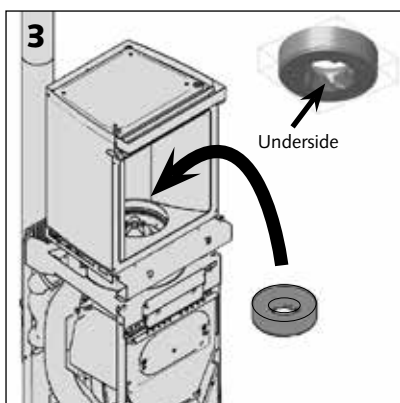
> Replace the lantern on the base of the Stuv P-10

> Replace the flame modeller. The notches on the modeller (external edges) must match up with the lug on the burner.

> Replace the vermiculite ring.

Caution!

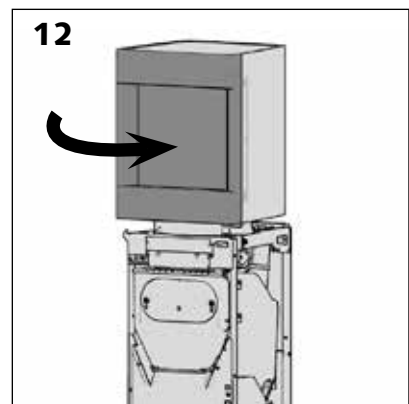
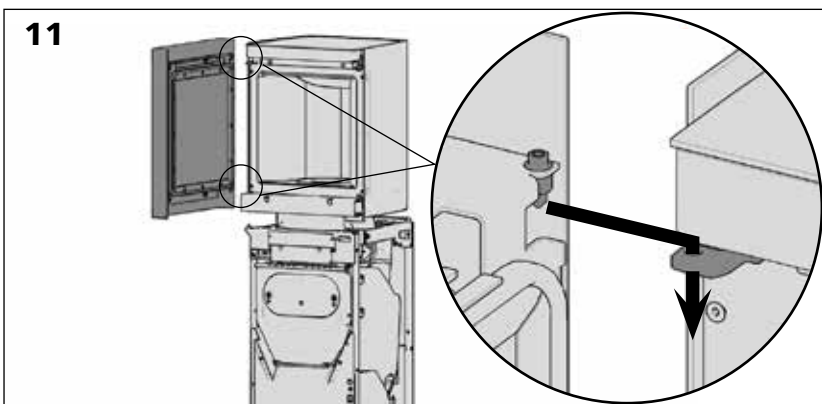
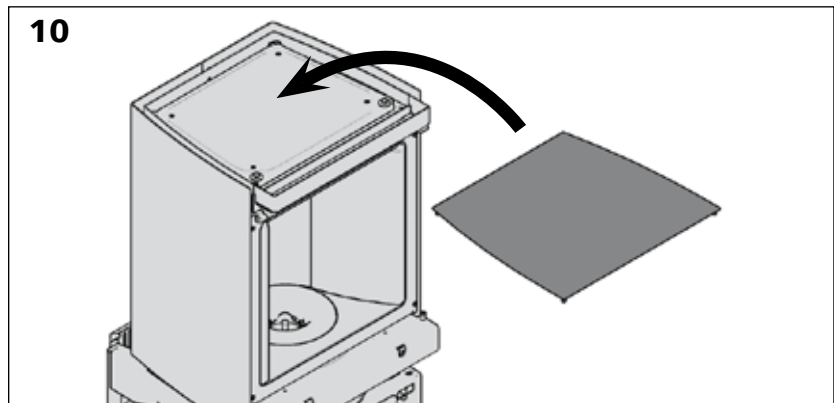
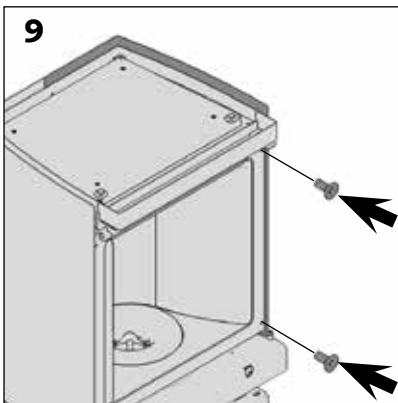
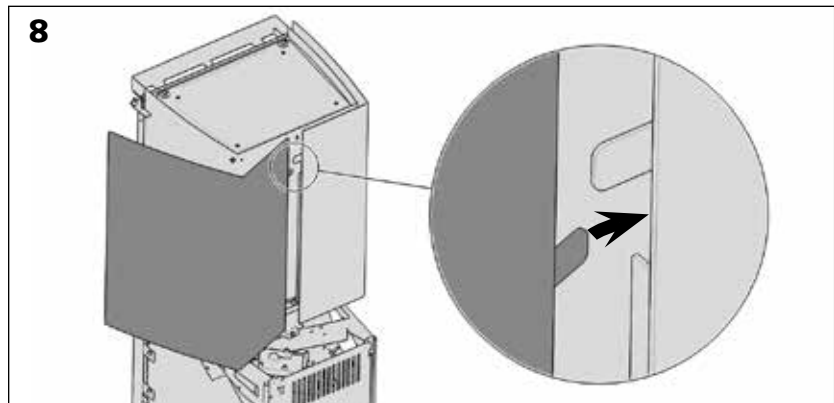
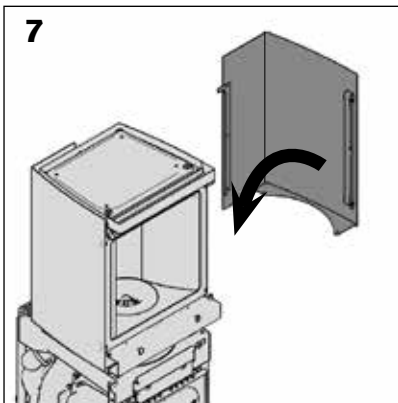
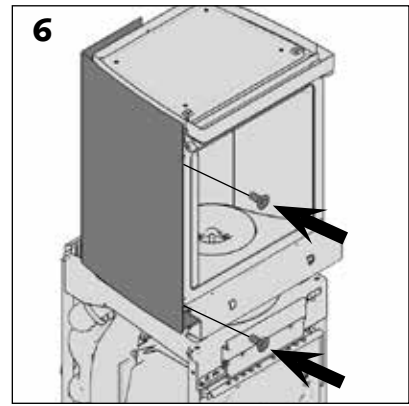
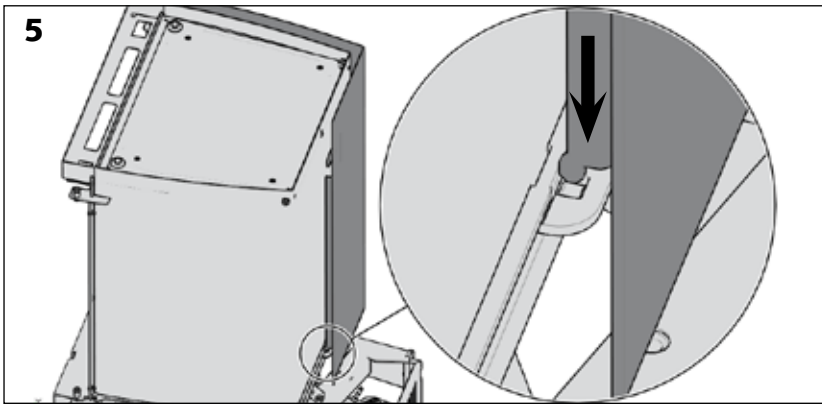
Take care to replace the vermiculite ring in the correct position. The grooved portions represent the underside of the ring [diagram 3].



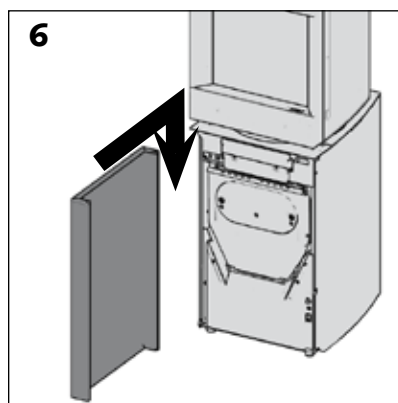
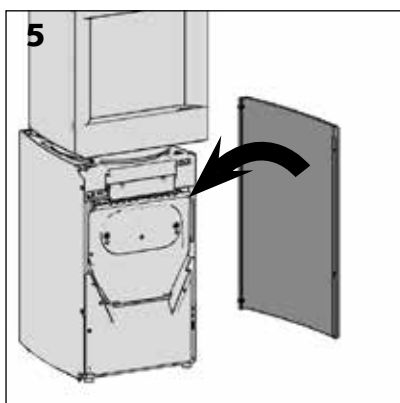
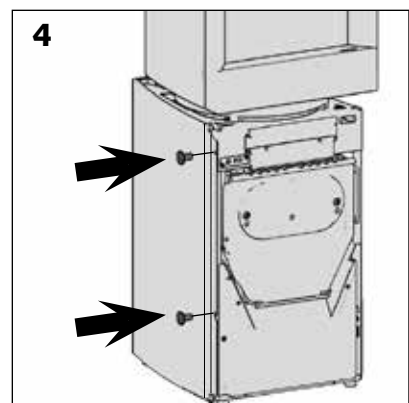
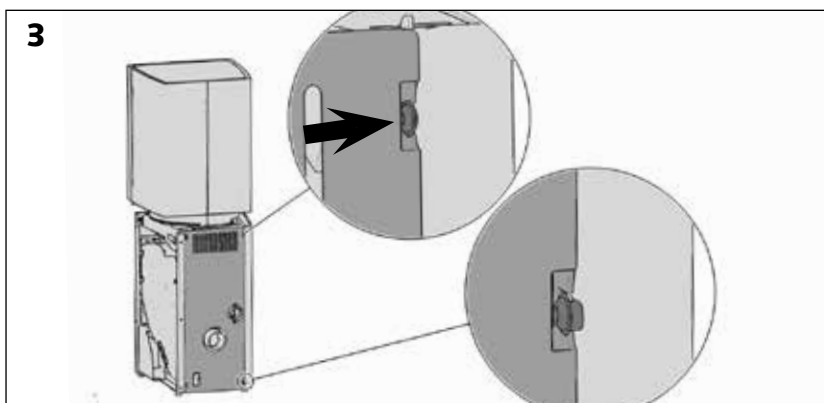
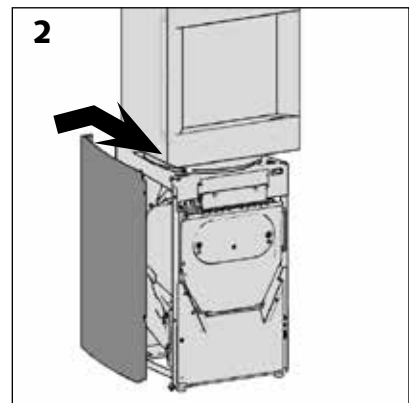
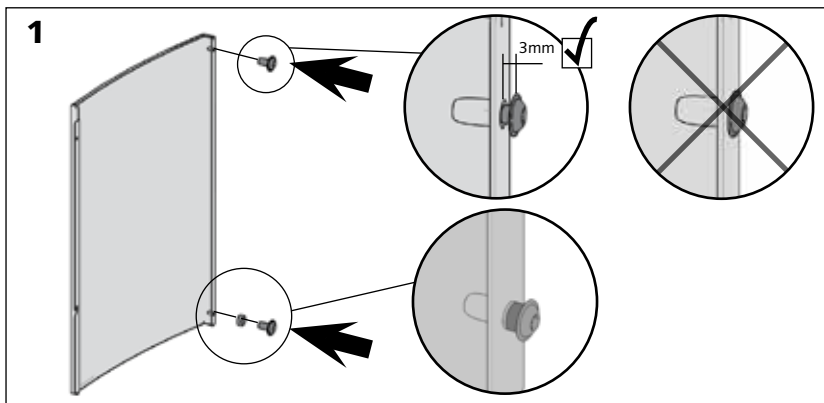
> Replace the lantern facings.

> Fit the door of the combustion chamber.

Final assembly

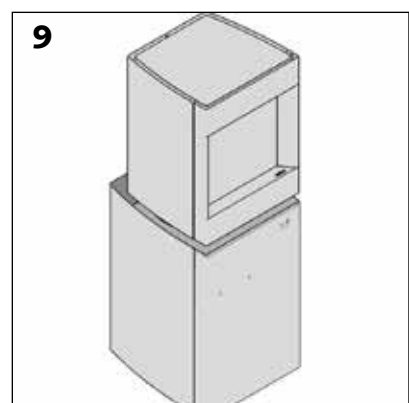
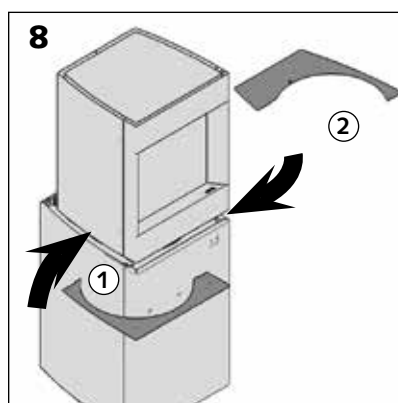
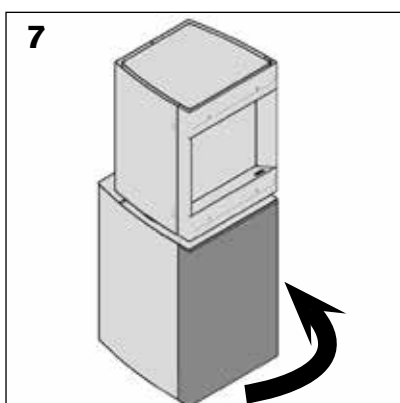


Final assembly - positioning the lower trims on the sheet version

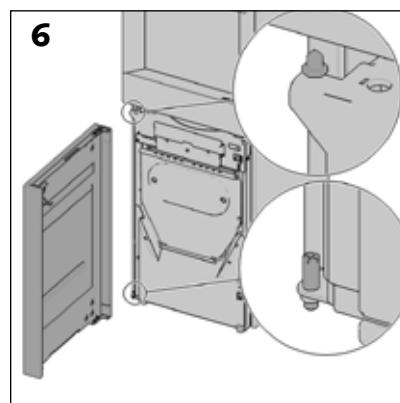
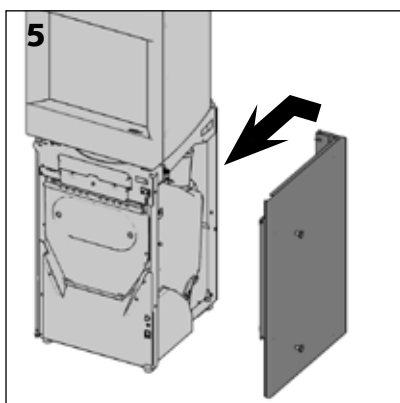
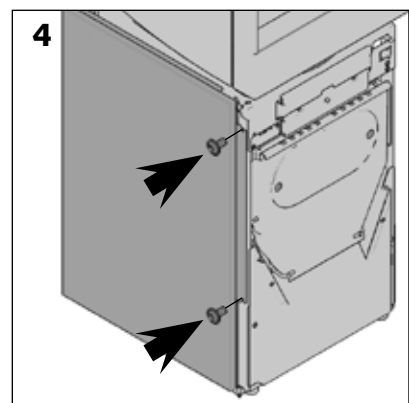
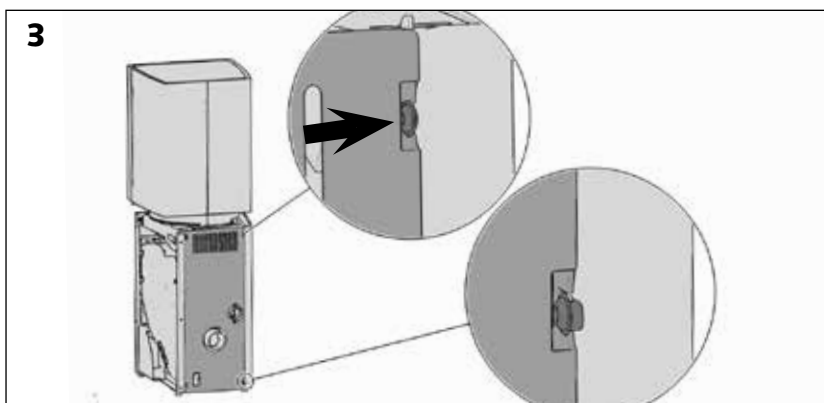
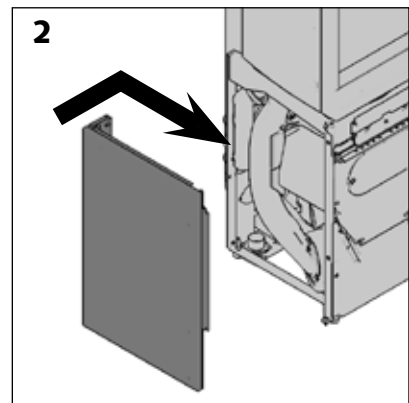
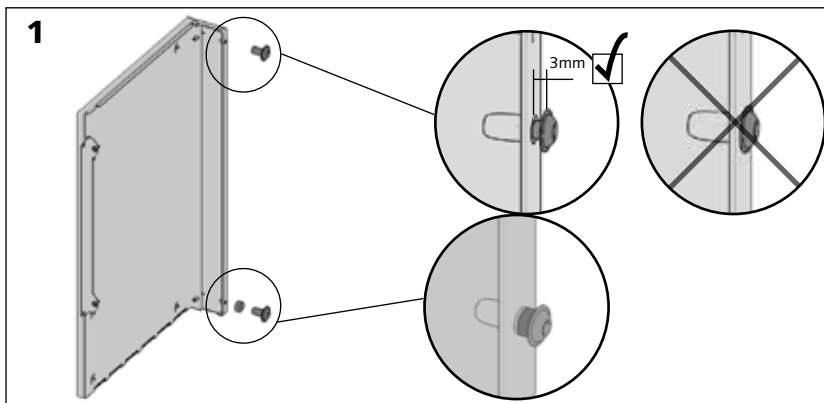


> The screws fixing the side facing panels must be fully tightened to prevent vibration noise [diagrams 3 & 4]

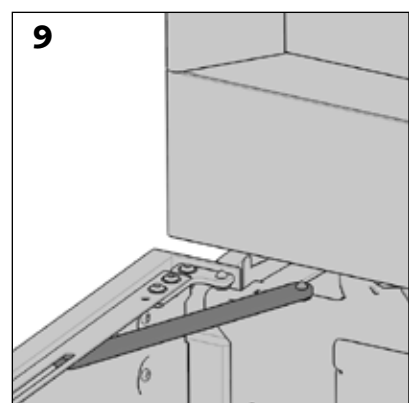
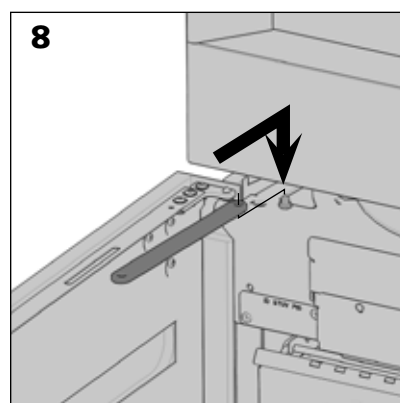
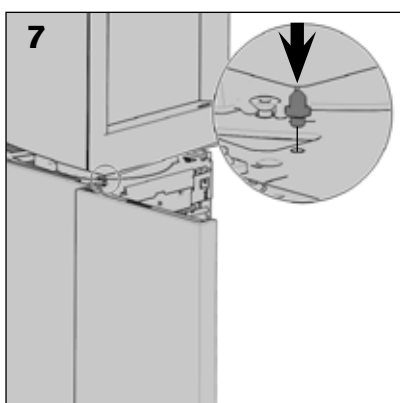
> Repeat steps 1 to 4 for the right trim [figure 5].



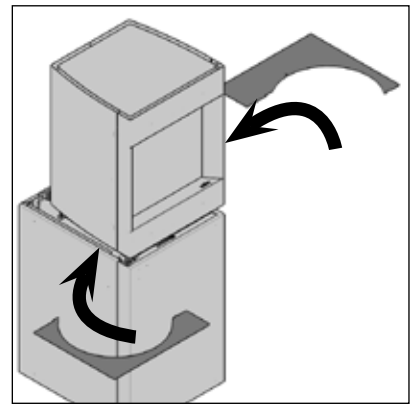
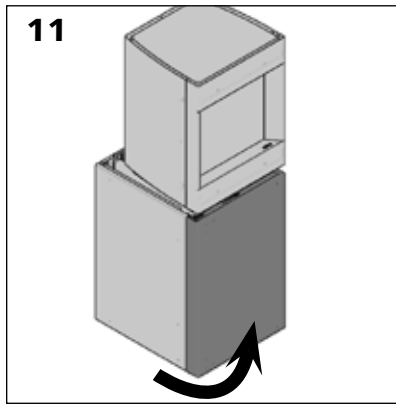
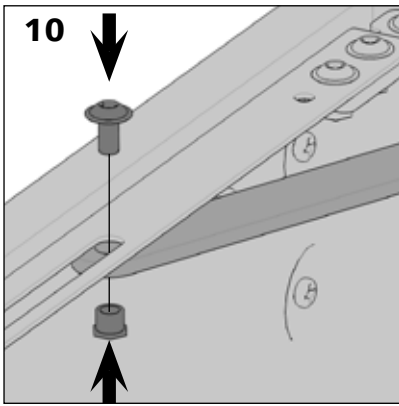
Final assembly - positioning the lower trims on the wooden version



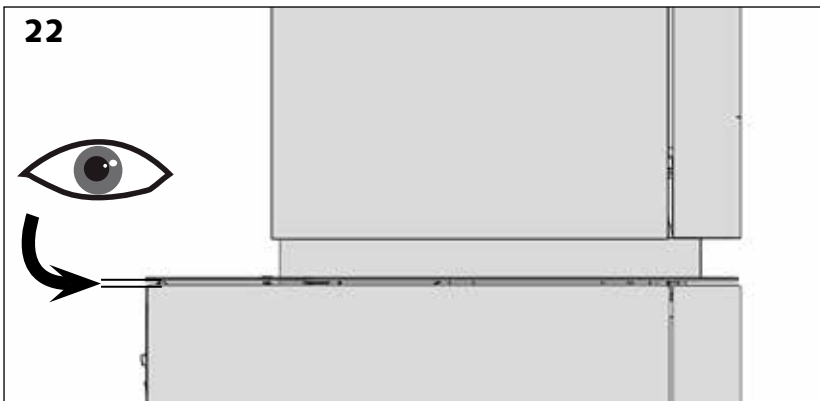
> Repeat steps 1 to 4 for the right trim [figure 5].



Final assembly - positioning the lower trims on the wooden version



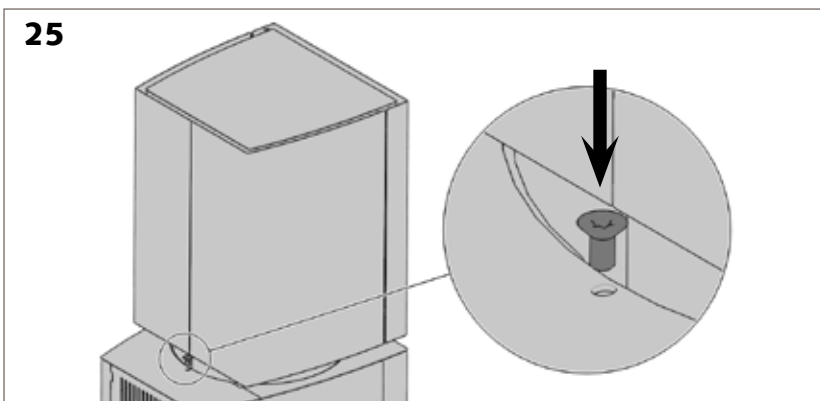
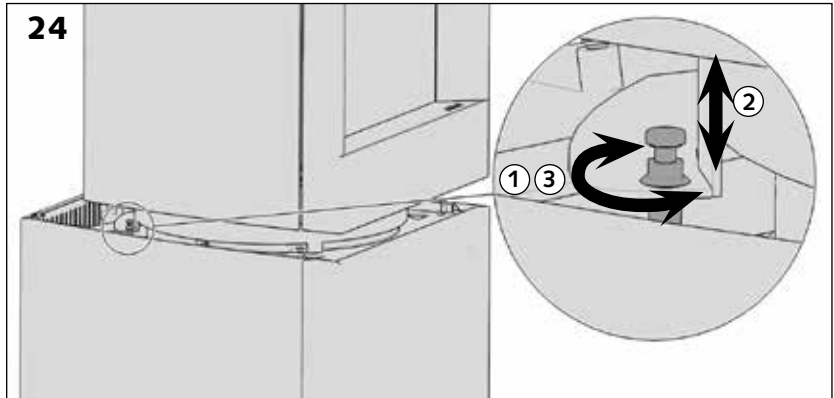
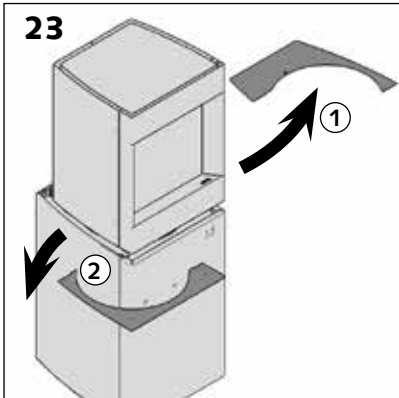
Final assembly – setting the shelves



Once the shelves have been fitted on the base of the appliance, check the alignment with the bottom facings [diagram 22].

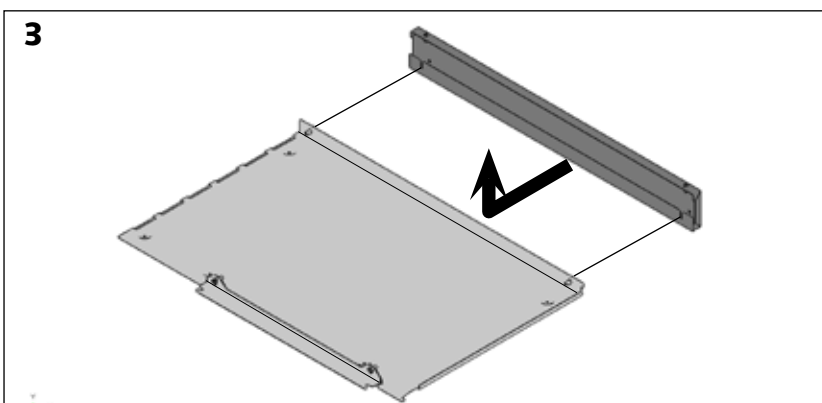
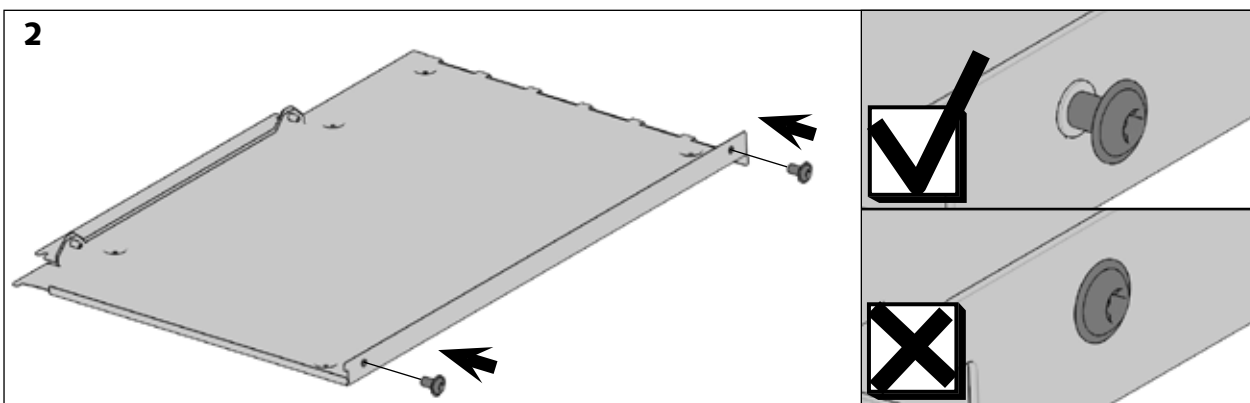
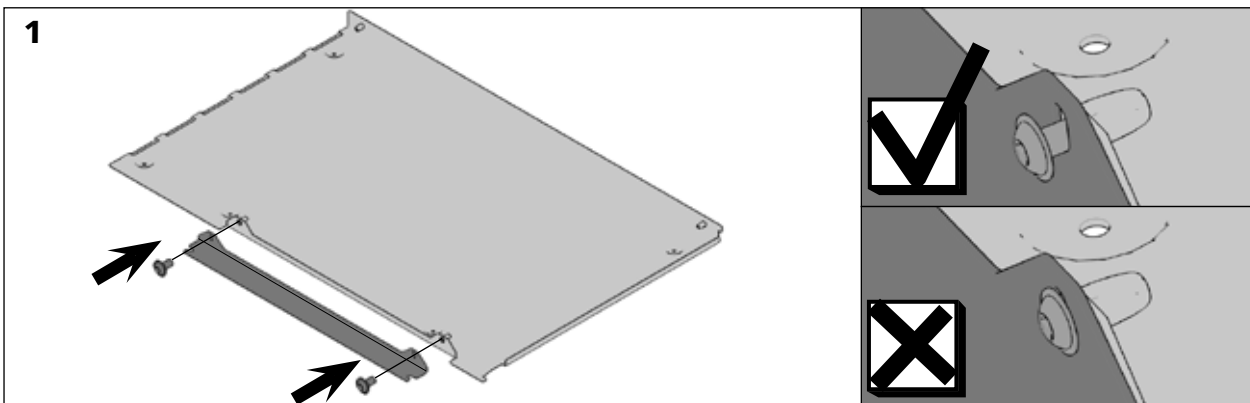
If adjustment is necessary:

- > Remove the shelves and locate the adjustment screw [diagram 23 & 24].
- > Loosen the lock nut, and raise or lower the adjustment screw [diagram 24, details 1 and 2].

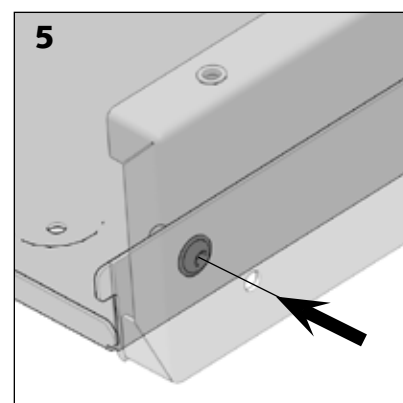
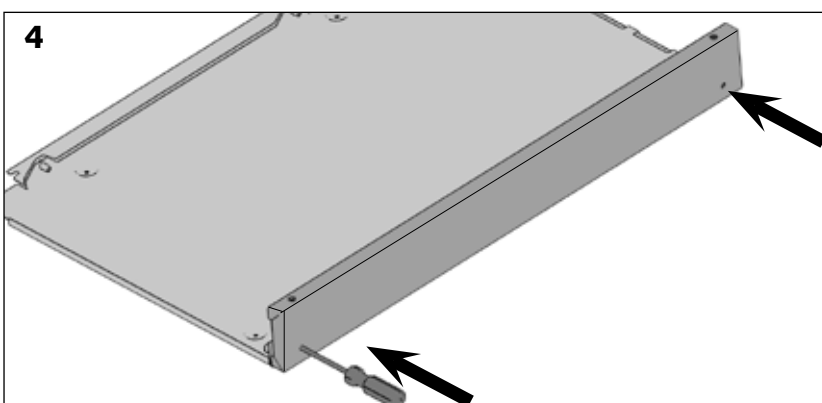


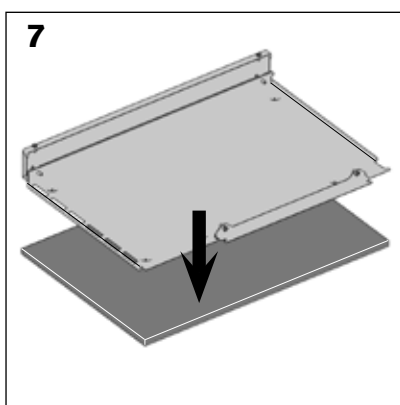
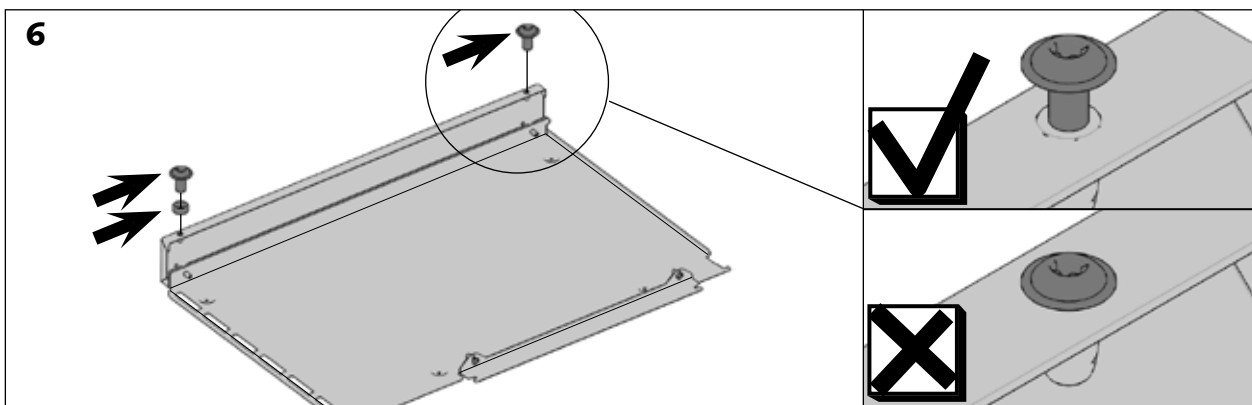
> Tighten the nut to lock the setting of the shelf [diagram 24 detail 3].

Once the facings have been correctly adjusted, fix them using an M5X10 torx head screw.

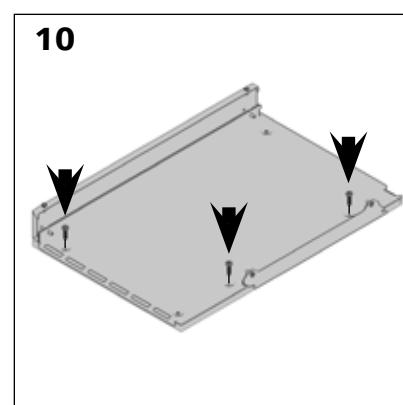
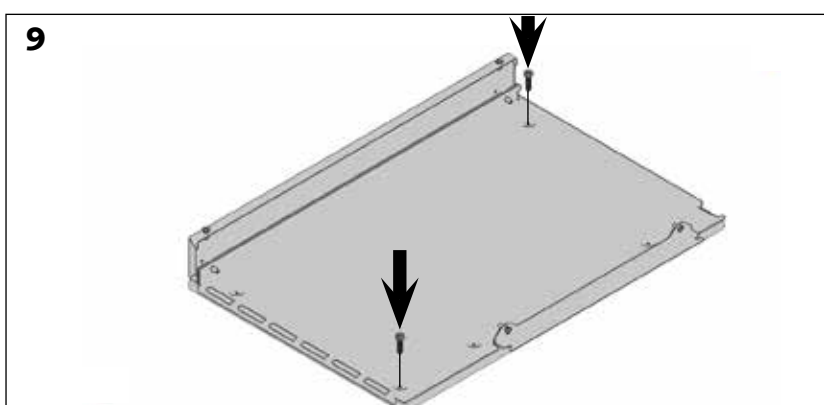
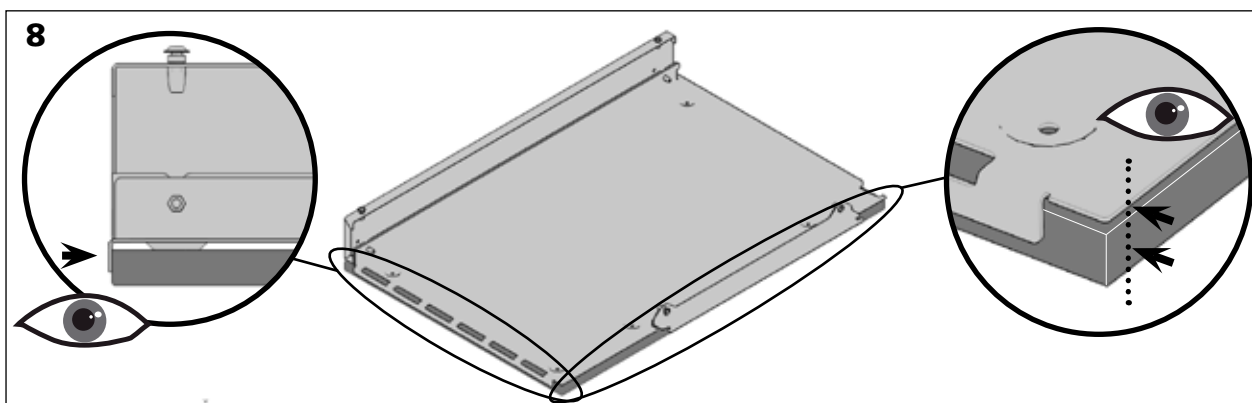


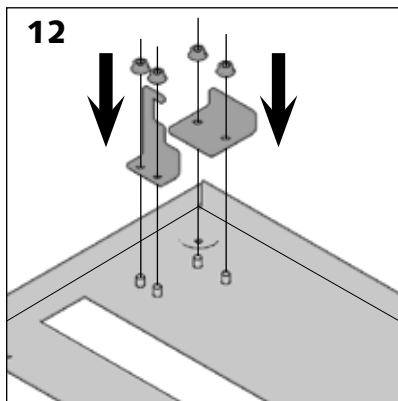
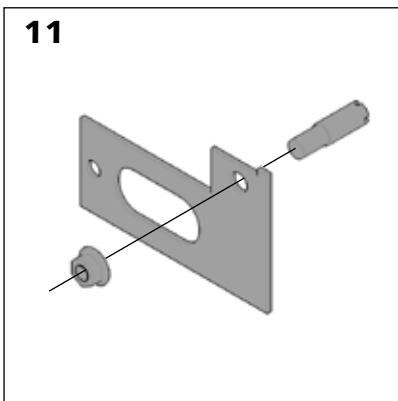
- > Fit the adjustment angle bracket without tightening the screws [Figure 1].
- > Pre-fit screws on the other side of the metal panel without fully tightening them [Figure 2].
- > Fit the rear vertical profile [Figure 3] and tighten the screws through the slots provided for this purpose [Figures 4 & 5].



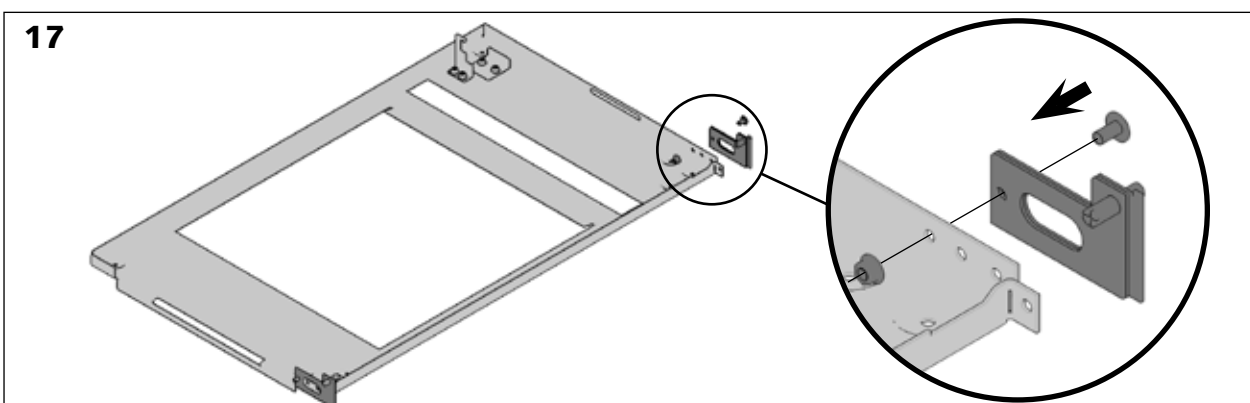
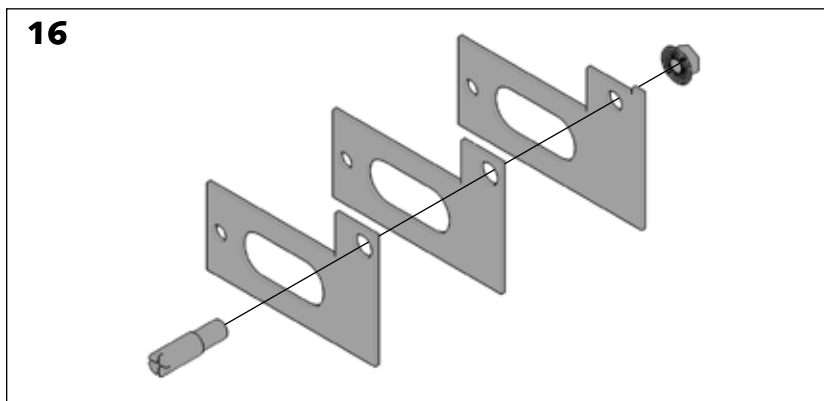
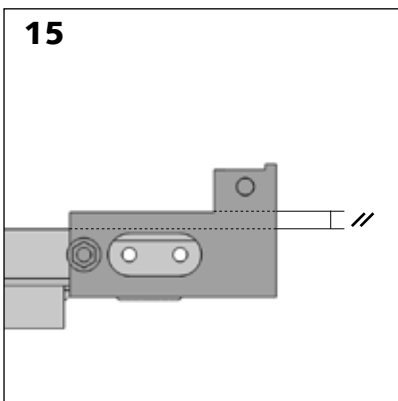
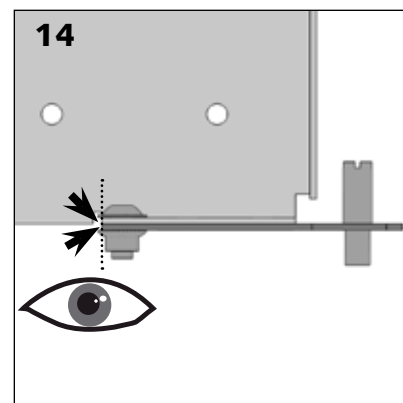
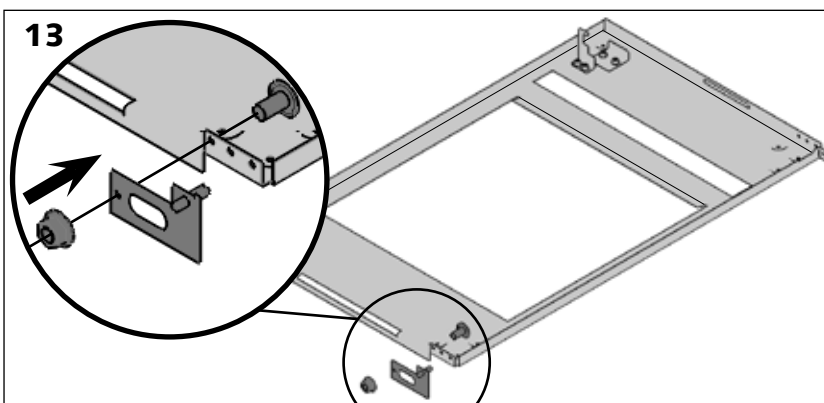


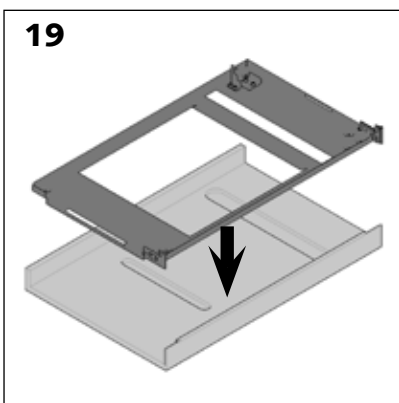
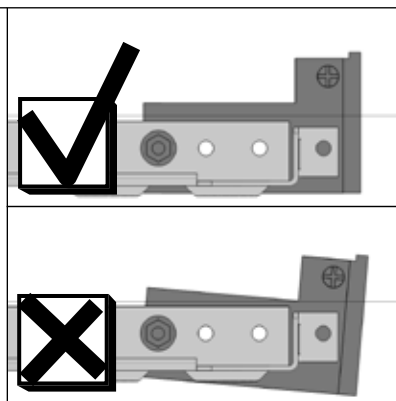
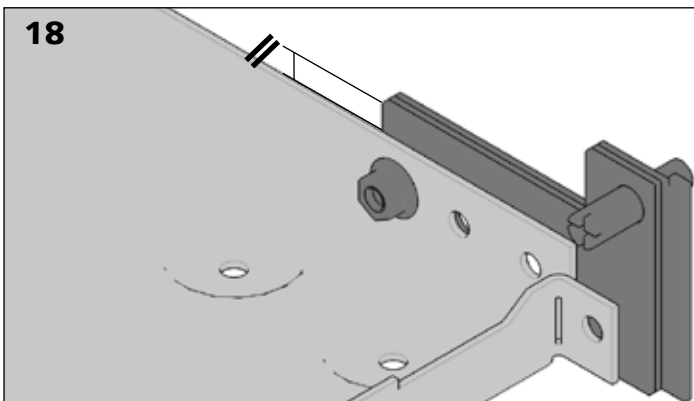
- > Fit the screws on the rear vertical profile. Fit one screw then a spacer on the bottom and only the screw in the top part [Figure 6].
- > Fit the metal panel on the finishing panel [Figure 7]. The grooved fold must butt onto the edge of the panel and the side of the metal panel must be aligned with the edge of the panel [Figure 8].
- > Fix the metal panel and the panel using the wood screws [Figures 9 & 10].



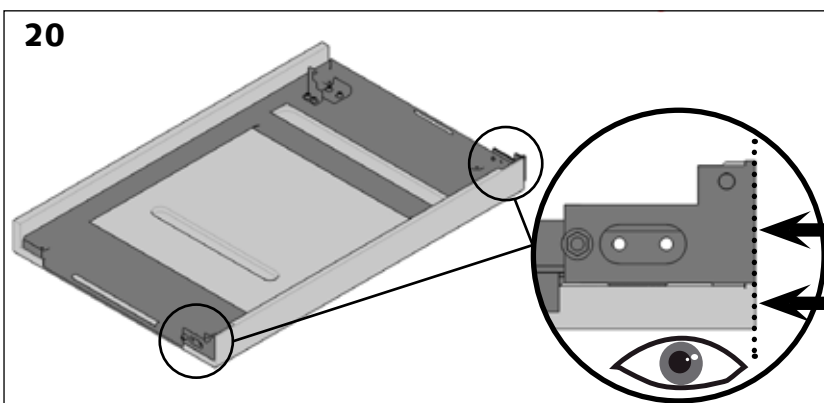


- > Fit the wheel flange on the template [Figure 11].
- > Fix the lugs for the door lock [Figure 12].
- > Fit the templates onto the metal panel which is fixed onto the door panel [Figures 13 & 17].
- > Align the edge of the template with the fold in the metal panel [Figure 14].

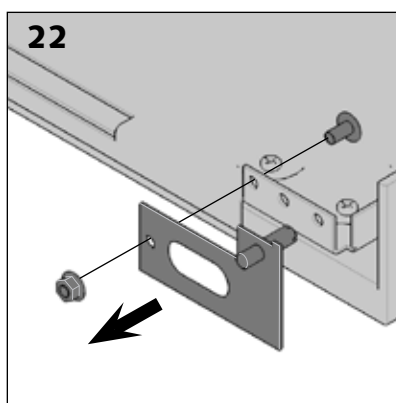
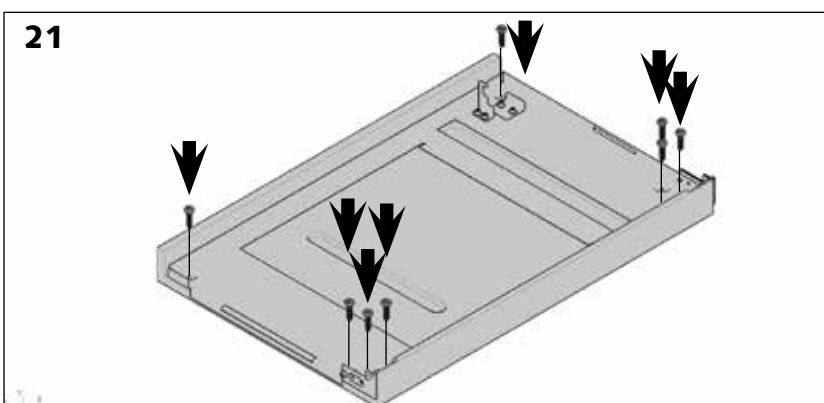


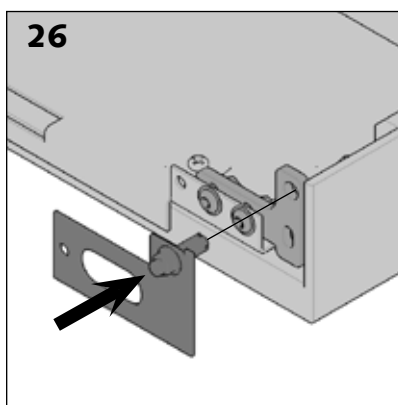
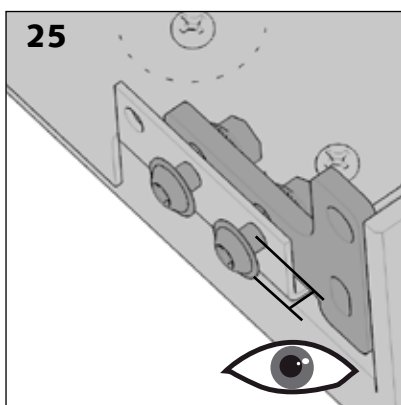
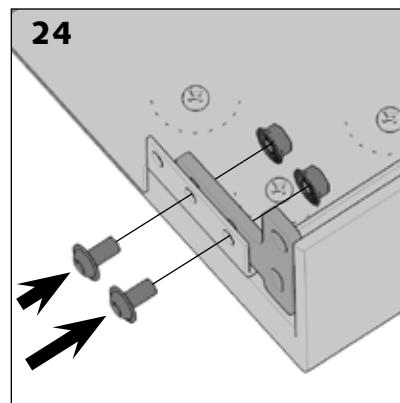
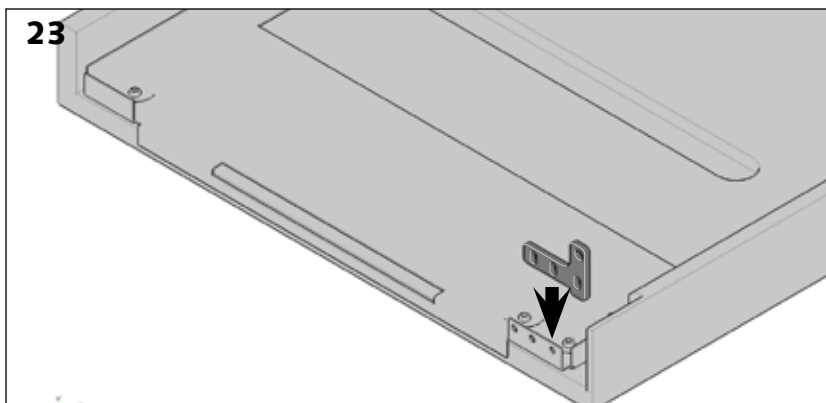


- > Make sure that the templates are parallel with the fold in the metal panel [Figures 15 & 18].
- > Fit the metal panel onto the door panel [Figure 19].



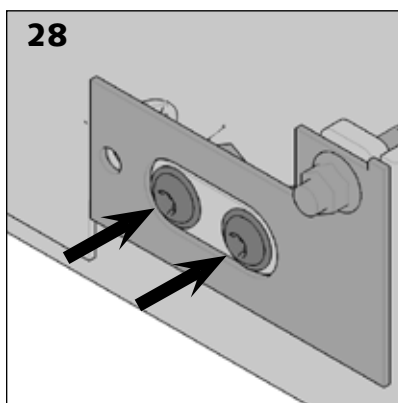
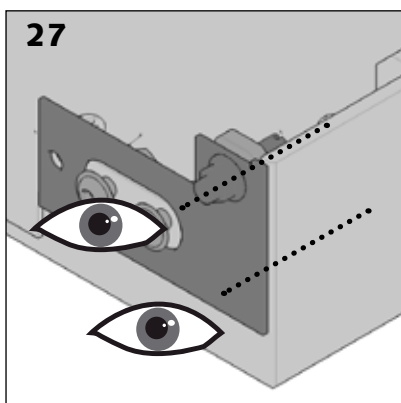
- > Align the edge of the template with the fold in the metal panel [Figure 20].
- > Fix the metal panel and the panel using the wood screws [Figure 21].
- > Unscrew the fitting template [diagram 22].





> Fit the part that will be used as a support to the door hinge [Figure 23]. Fit the screws but do not tighten them in order to be able to adjust the position of the part [Figures 24 & 25].

> Replace the template [Figure 26].

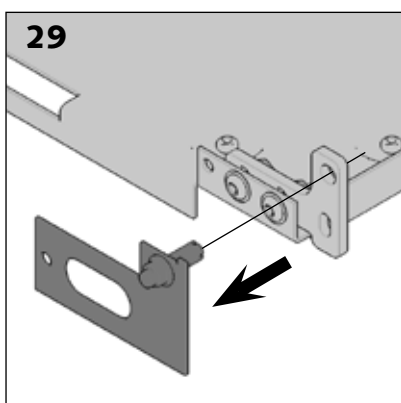


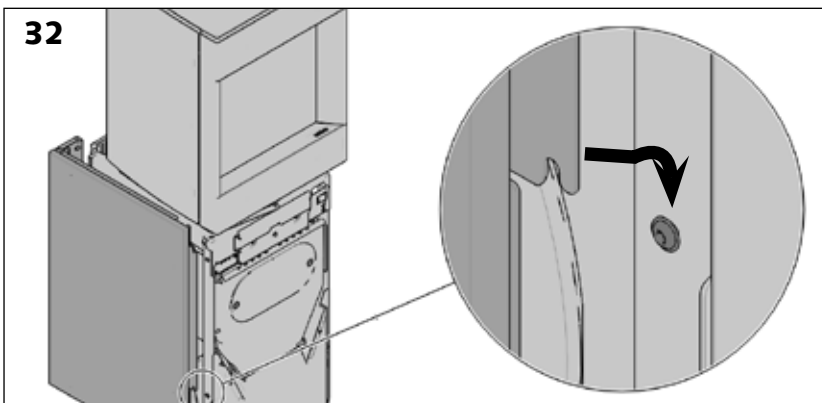
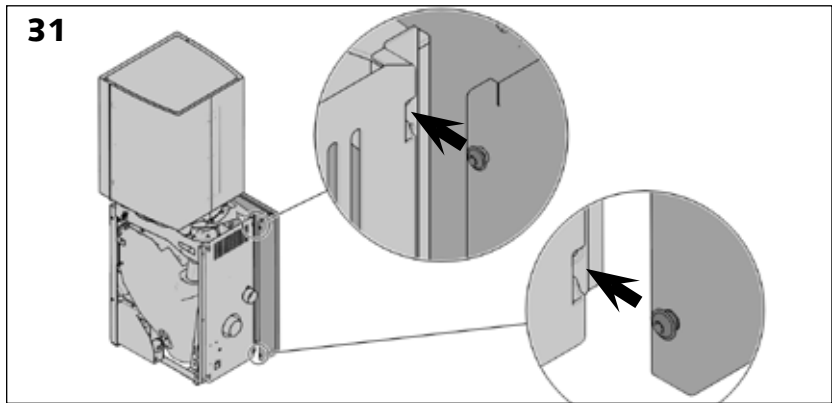
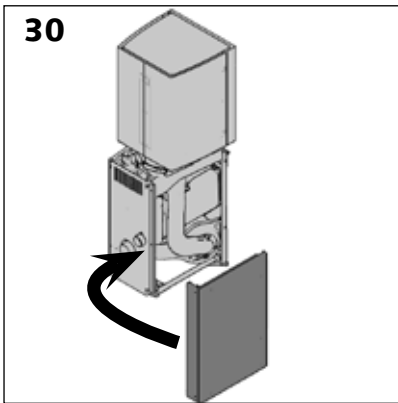
> Fit the template so that it is aligned with the top and side of the panel [Figure 27].

> Tighten the screws [Figure 28].

> Remove the template [Figure 29].

> Repeat the operation for the upper side.



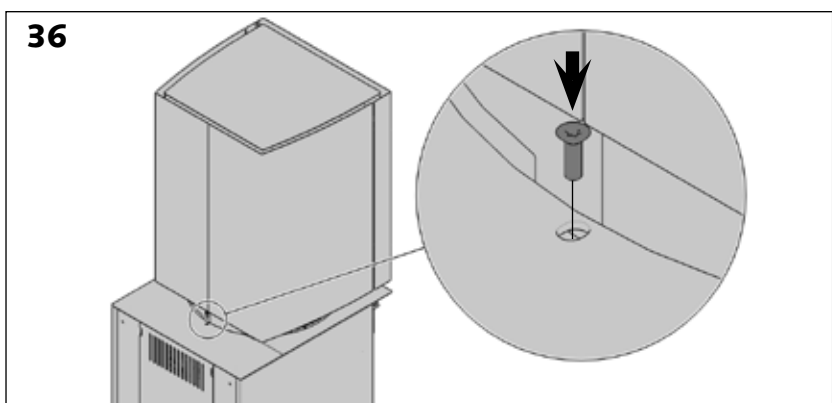
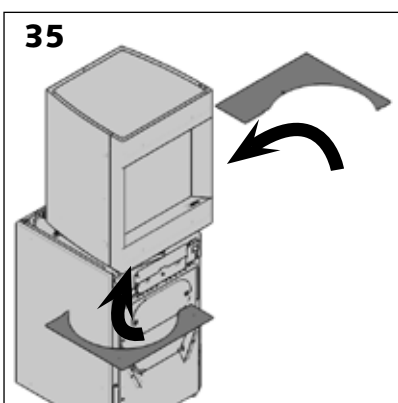
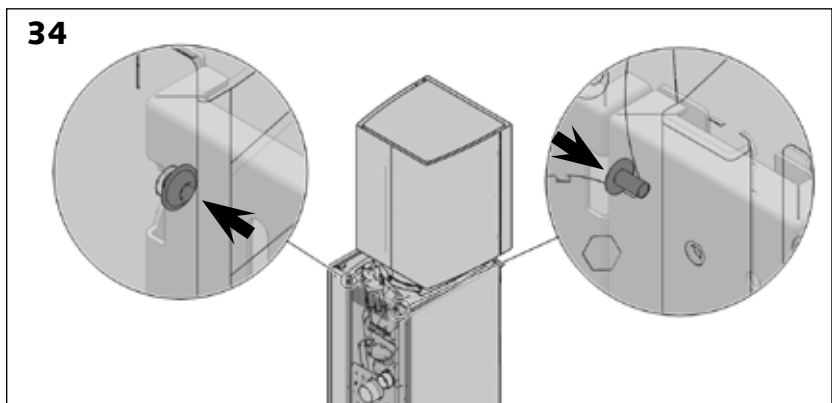
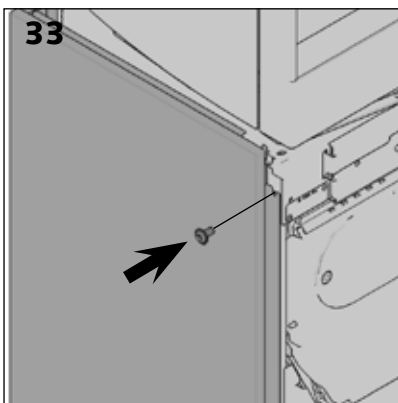


> Fit the side facings by sliding them from the back [Figure 30]. Slide the heads of the screws into the notches provided for this purpose [Figure 31].

> Press the bottom front part of the facing onto the screw [Figure 32]

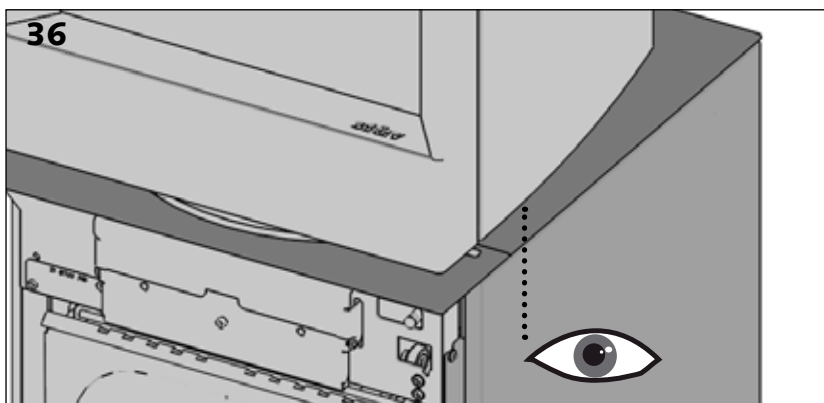
> Screw the upper screw [Figure 33] and tighten the lower screw.

> Repeat the operation for the second side.

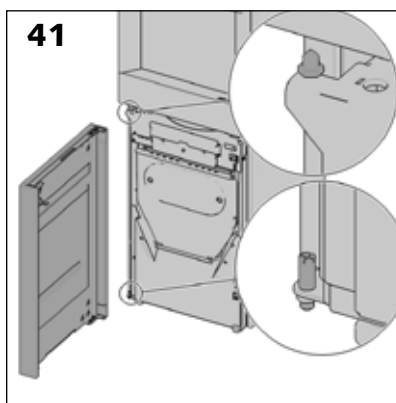
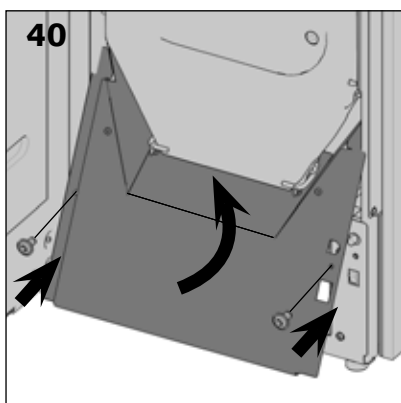
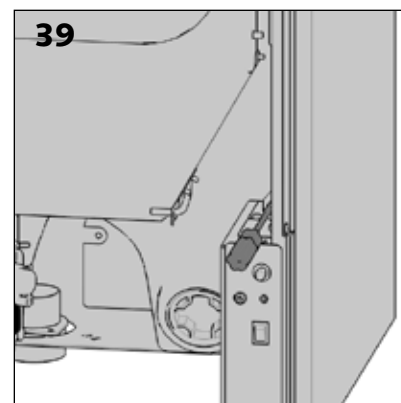
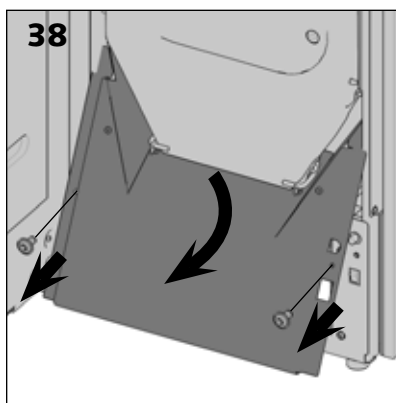
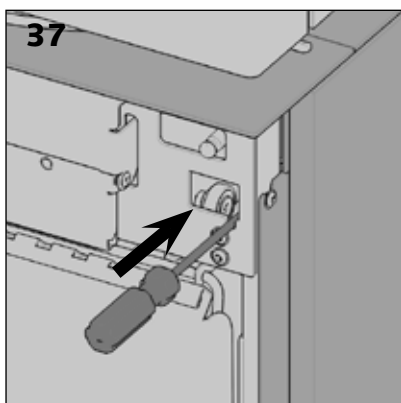


> Tighten both upper screws at the rear of the facings [Figure 34].

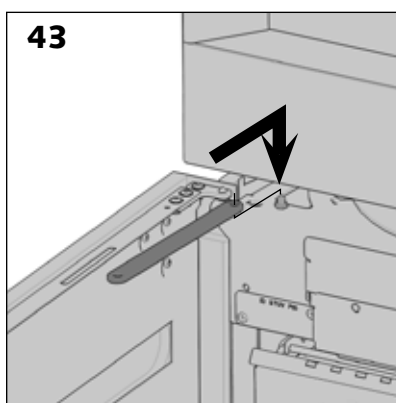
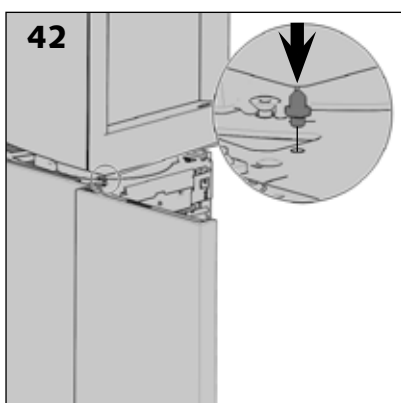
> Fit the shelves onto the appliance, starting with the front [Figures 35 & 36].



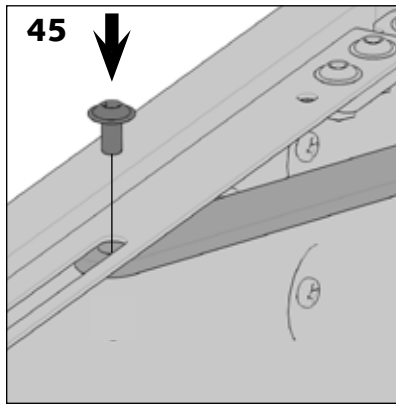
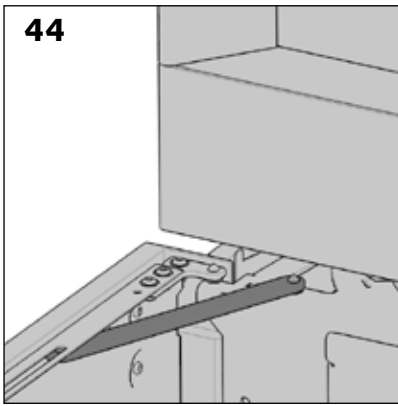
- > Align the side panel with the edge of the shelf [Figure 36].
- > Fix the position of the panel by tightening the screws on the adjustment angle iron [Figures 37 and 39]. To do this, remove the front cover metal panel [Figure 38].
- > Refit the cover [Figure 40].



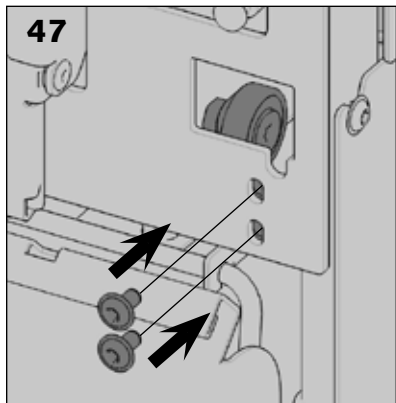
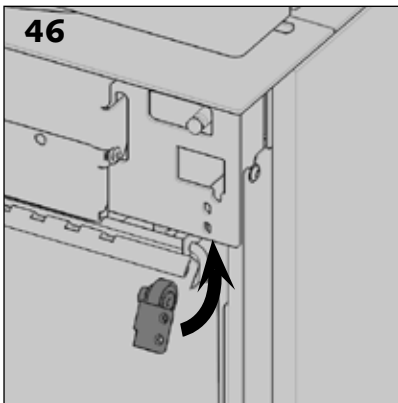
- > Fit the door onto its hinges [Figure 41].
- > Fit the shaft for the door closing strut onto the appliance's framework [Figure 42].
- > Fit the strut onto the shaft [Figure 43].



Final assembly - Fitting the trim facings (continued)

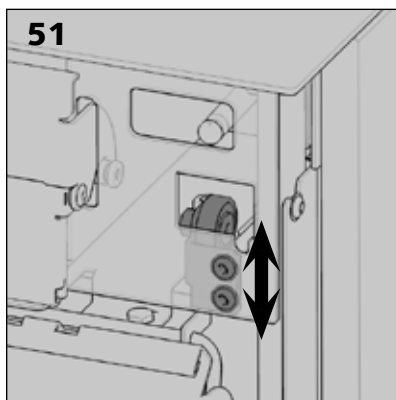
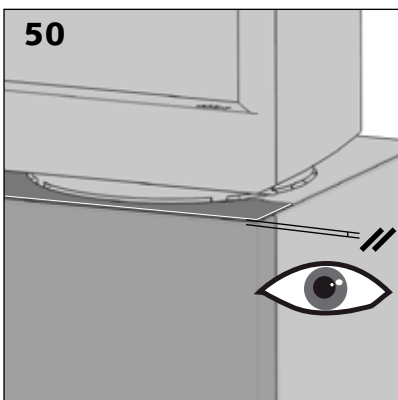
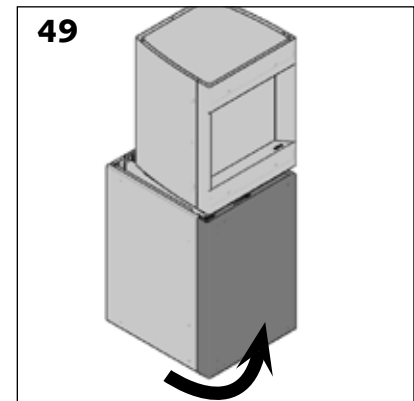
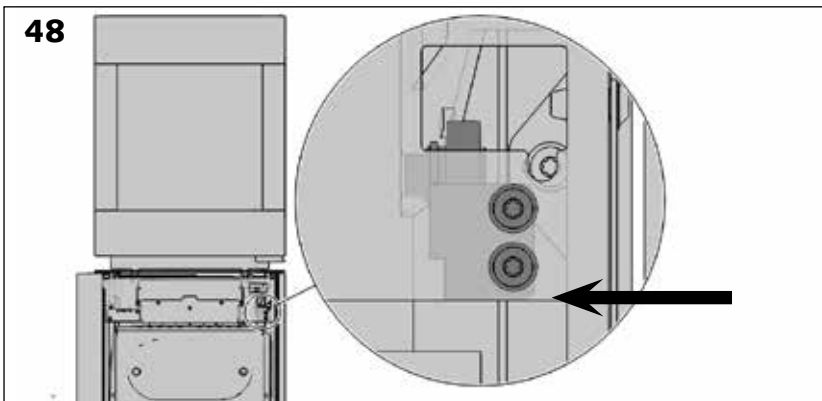


> Secure the strut to the door using a screw [Figures 44 & 45].



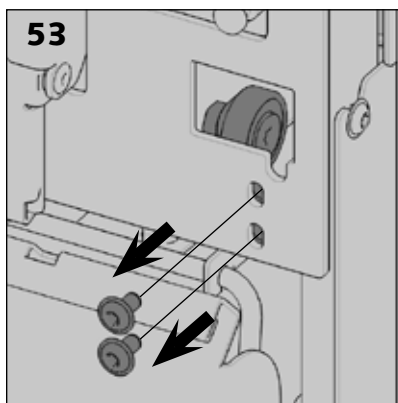
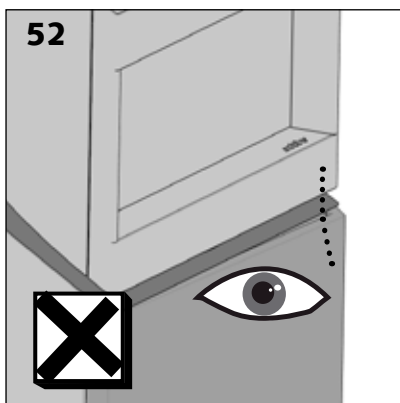
> Fit the bearing support from the bottom and fix it using two screws [Figures 46 & 47].

> In the default position of the support bearing, the bottom part of the fastening metal panel is flush with the bottom of the frame metal panel [Figure 48].



> If the hollow gasket is not equal between the shelf and the top of the door, it is possible to play with the height position of the support bearing [Figures 50 & 51].

Final assembly - Fitting the trim facings (continued)

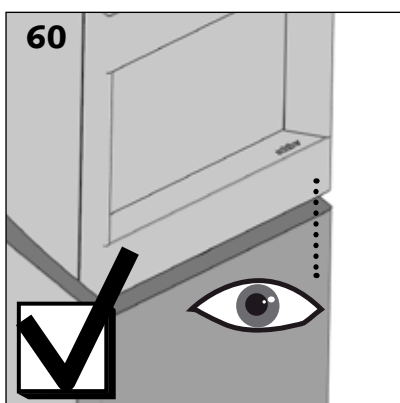
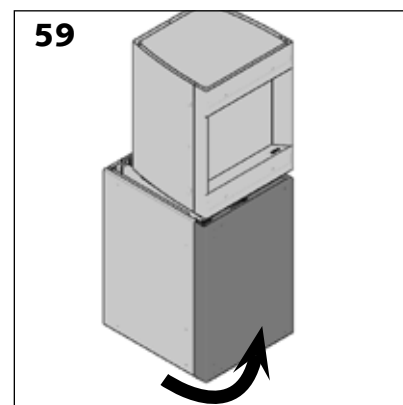
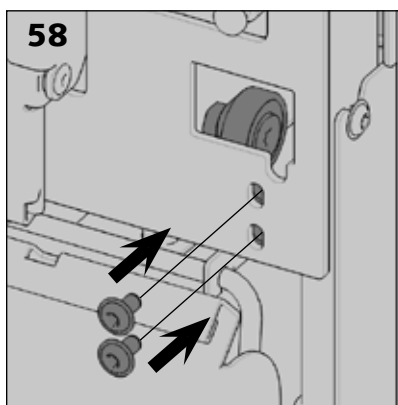
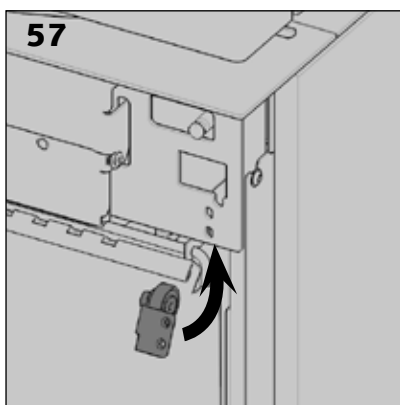
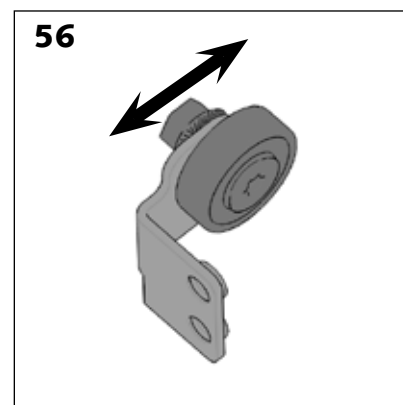
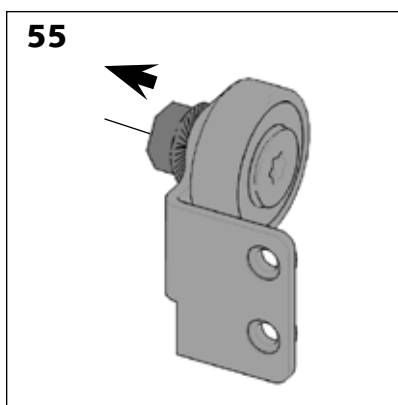
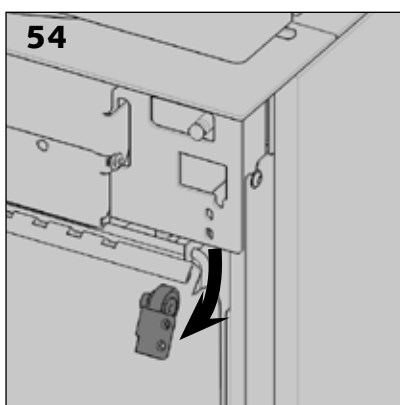


> If the shelf and the door are not aligned with the front [Figure 52], it is possible to play on the position, depth-wise, of the support bearing.

> Remove the bearing [Figures 53 & 54].

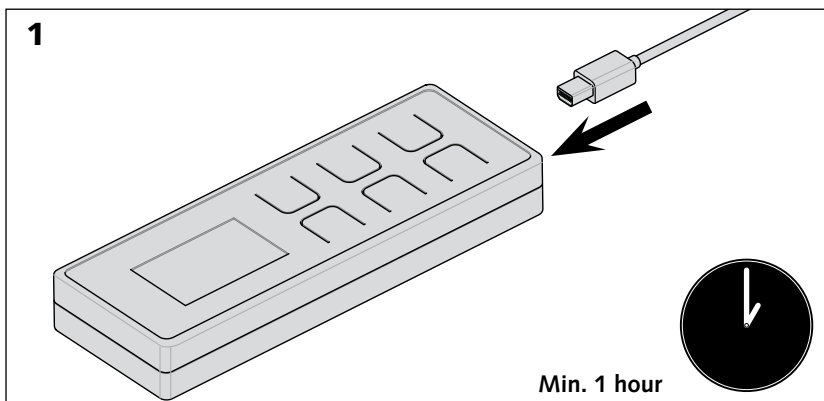
> Loosen the bearing and modify its position before tightening the bearing [Figures 55 & 56].

> Replace the support bearing onto the appliance [Figures 57 & 58]/



STARTING UP

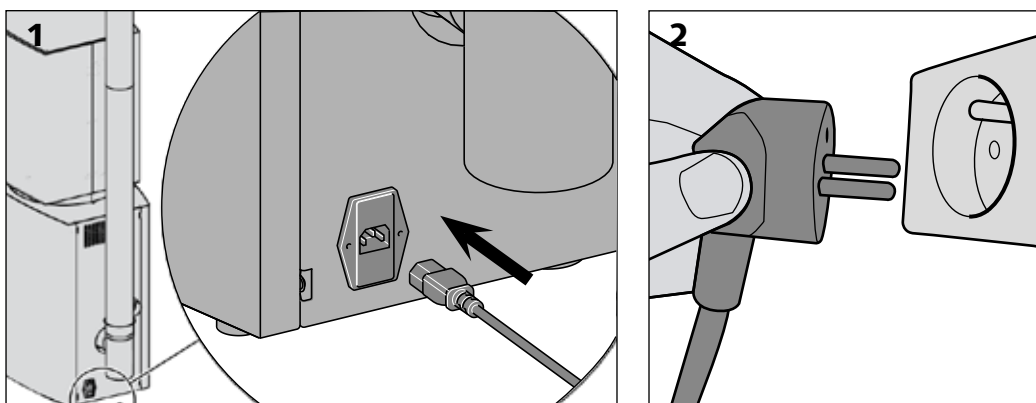
Charging the remote control



The remote control must be connected for at least 1 hour to be fully charged up.

The control is functional once it is connected to the mains.

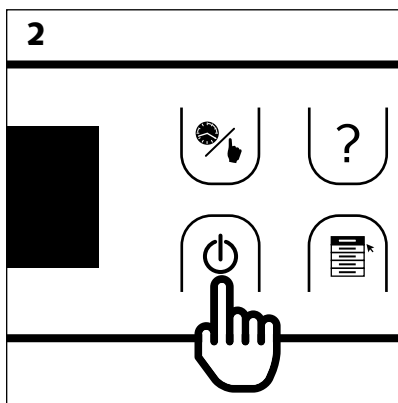
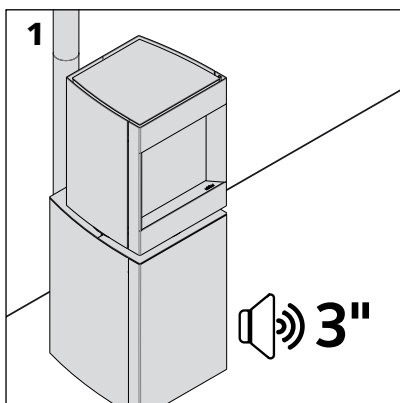
Powering up the Stûv P-10



> Connect the Stûv P-10.

> Ensure the plug is fully pushed in.

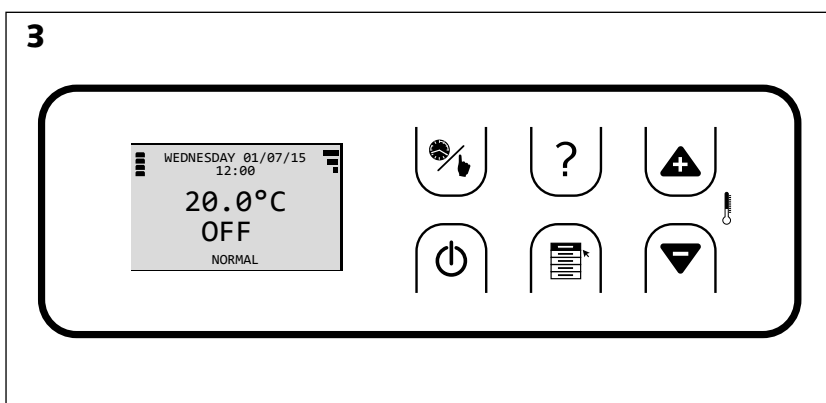
Pairing the remote control



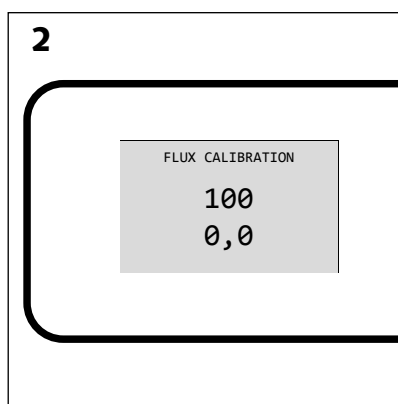
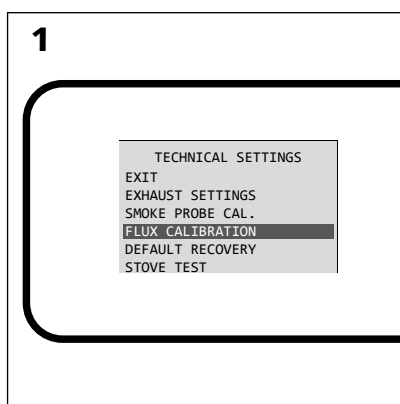
When the appliance is turned on for the first time, a buzzer sounds for 3 seconds. This noise indicates that the appliance's electronics are working properly.

> After this warning, press any button on the remote control.


> When the operation is successful, the menu appears on the screen of the remote control.



Flux calibration





First check whether it is necessary to recalibrate the sensor:

> Go to "Flux calibration" in the menu  [diagram 1].

If the values shown are: 100 and 0.0, the flow rate sensor is correctly calibrated [diagram 2]. If this is not the case, the sensor should be recalibrated as follows:

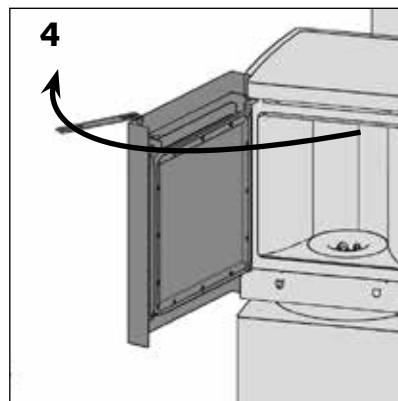
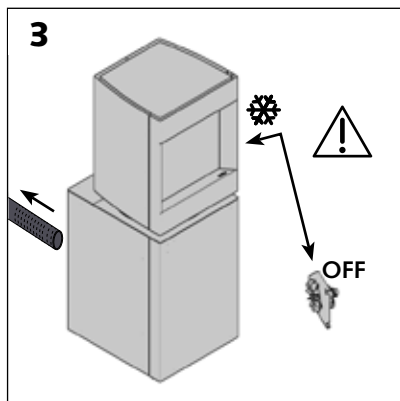
Warning!

Calibration must be performed with the appliance extinguished, the fan switched off and any outside air intake disconnected. The door must also be open [diagrams 3 & 4]!

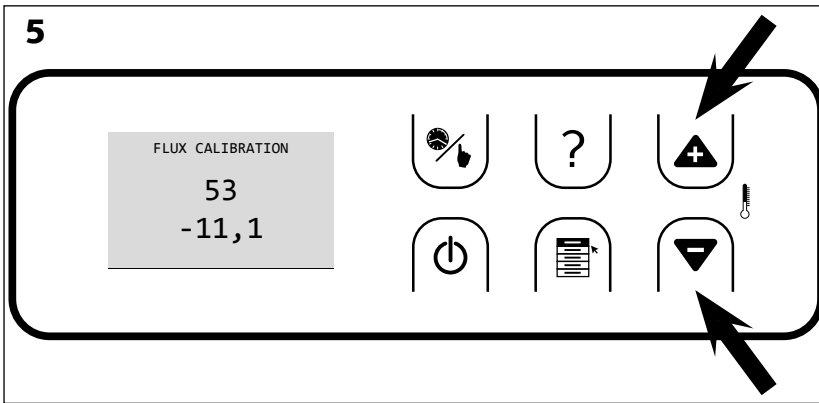
> On the flux calibration screen, press and  simultaneously [diagram 5]. 

> The appliance will then reconfigure the flow rate sensor.

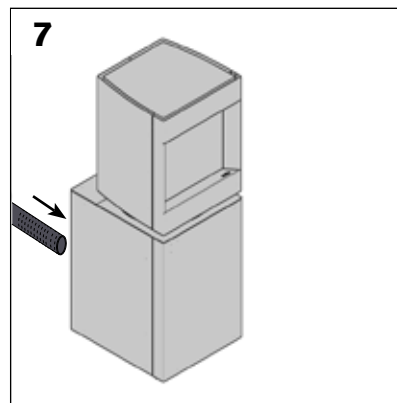
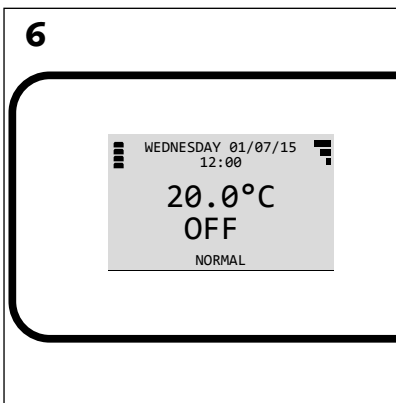
Wait until the remote control shows the home screen. Once this is the case, the operation is complete [diagram 6].



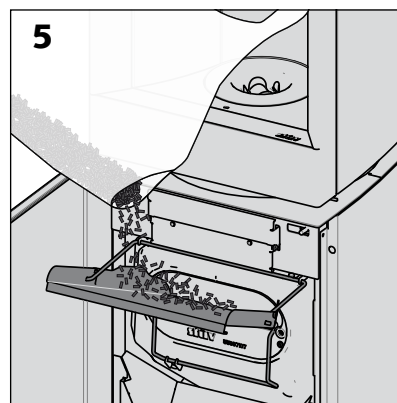
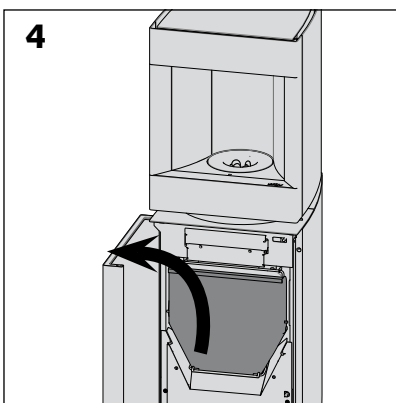
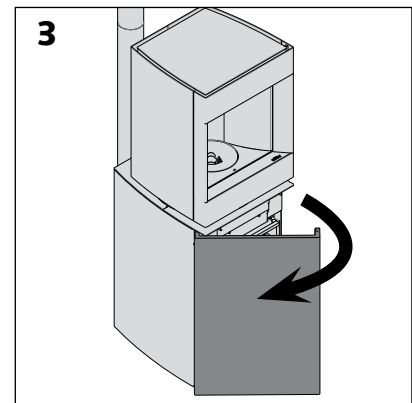
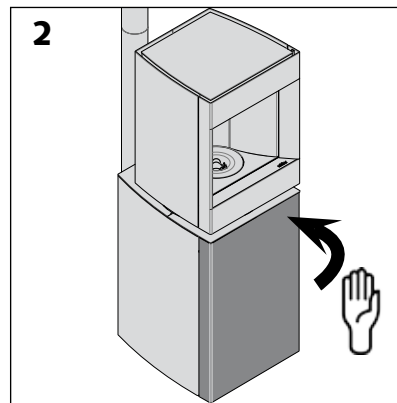
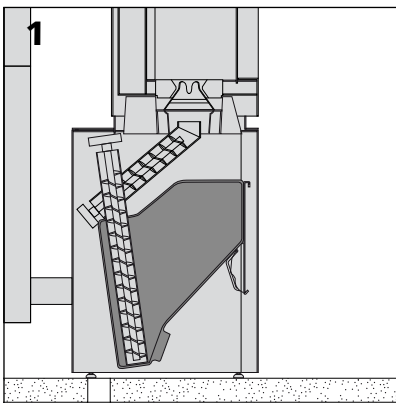
Flux calibration (continued)



> Reconnect the outside air inlet tube [diagram 7].



Filling the pellet hopper

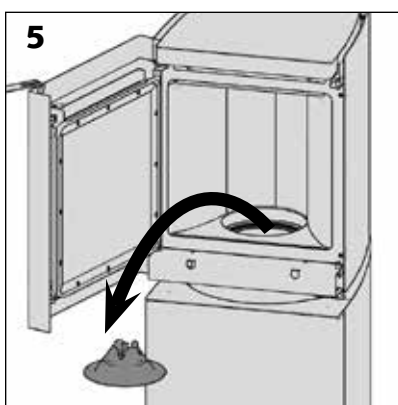
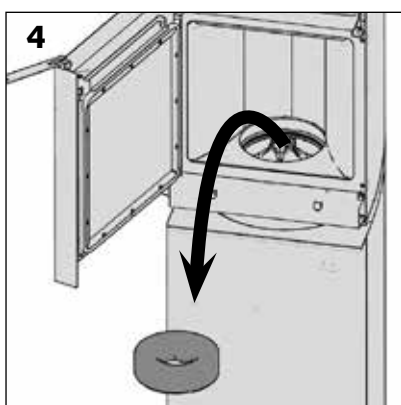
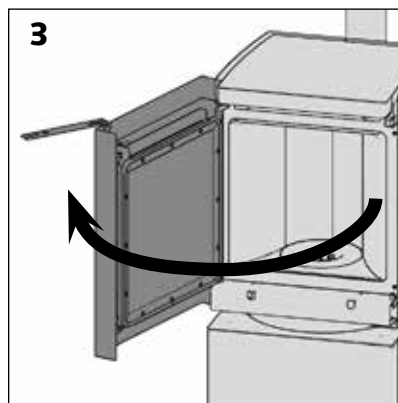
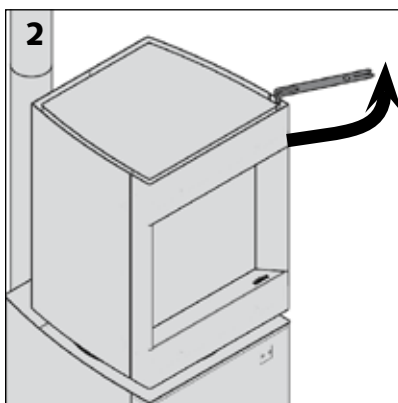
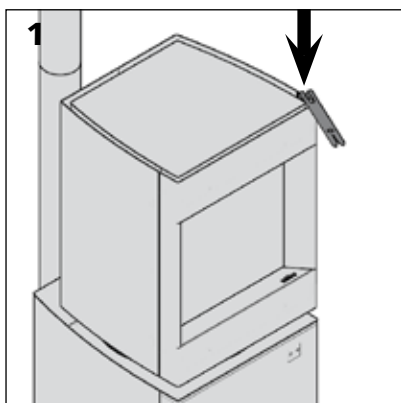


> In order to open the door on the sheet metal version, push towards the stove. It is opened via a "Push/Open" button. The door on the version in wood/trim opens normally.

Caution!

Before filling the hopper, make sure there are no unwanted objects inside. Do not attempt to burn wet pellets. Do not pour in dust or pellet pieces that are too small.

Checks before the first lighting of the appliance



NOTE:

Each stove is factory tested. The presence of pellets in the screws is normal. It is important to make a visual check of the grilles before lighting.

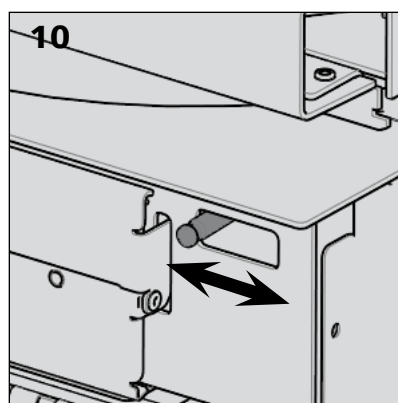
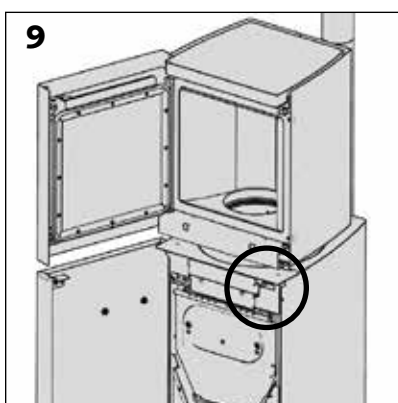
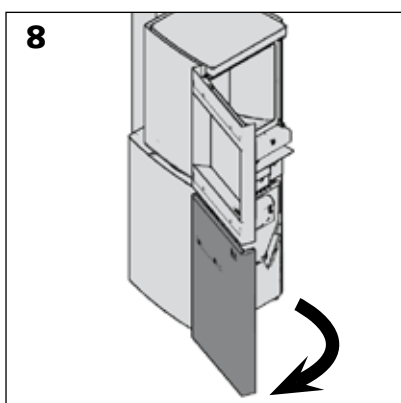
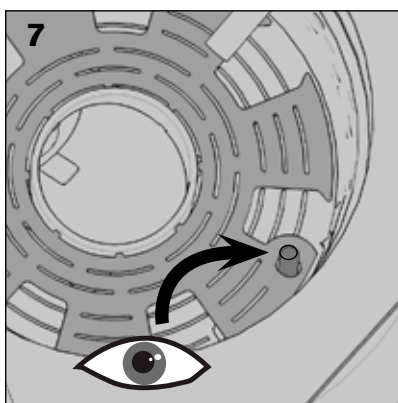
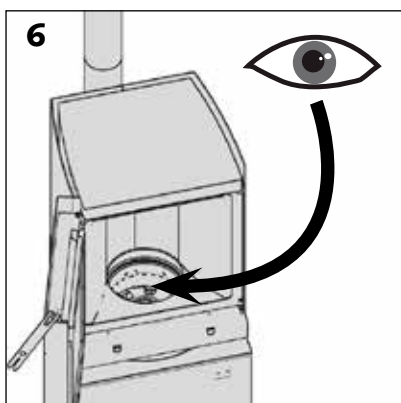
> Open the combustion chamber door [diagrams 1, 2 and 3].

> Remove the vermiculite ring [diagram 4].

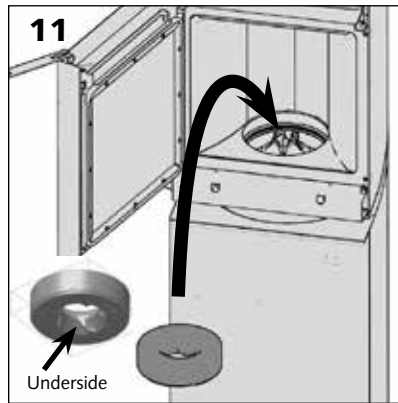
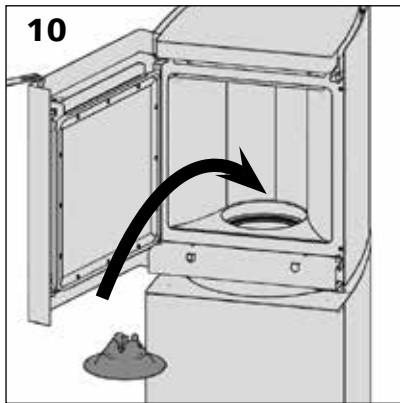
> Remove the flame modeller [diagram 5].

> Look to see that the grille is positioned correctly [diagrams 6 & 7].

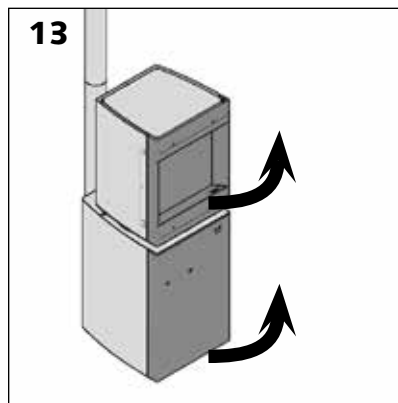
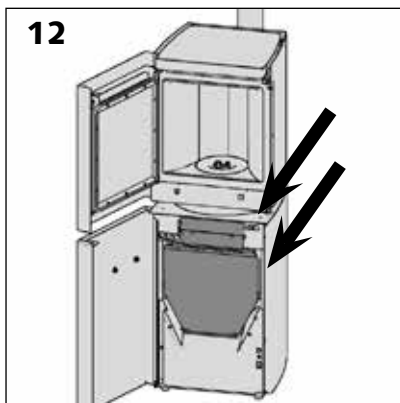
> Check that the ashpan grille moves correctly by handling the ash removal control [diagrams 8, 9 et 10].



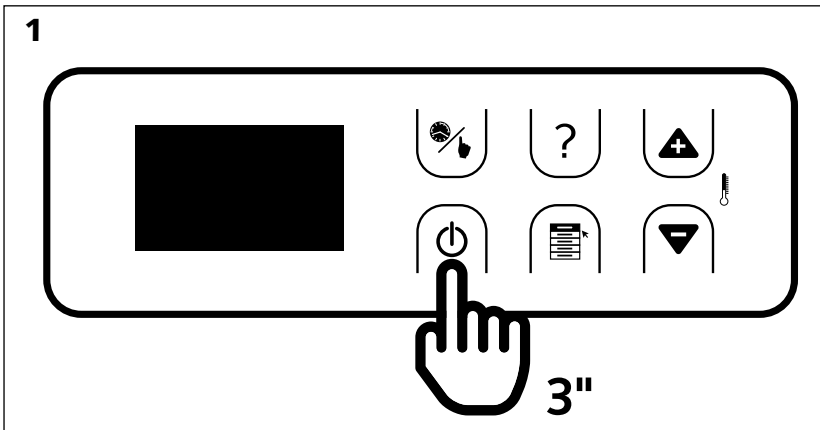
Checks before the first lighting of the appliance




- > Reposition the various parts correctly.
- > Check that the ashpan, the hopper hatch and the door of the combustion chamber are securely locked before lighting.



Lighting the Stûv P-10



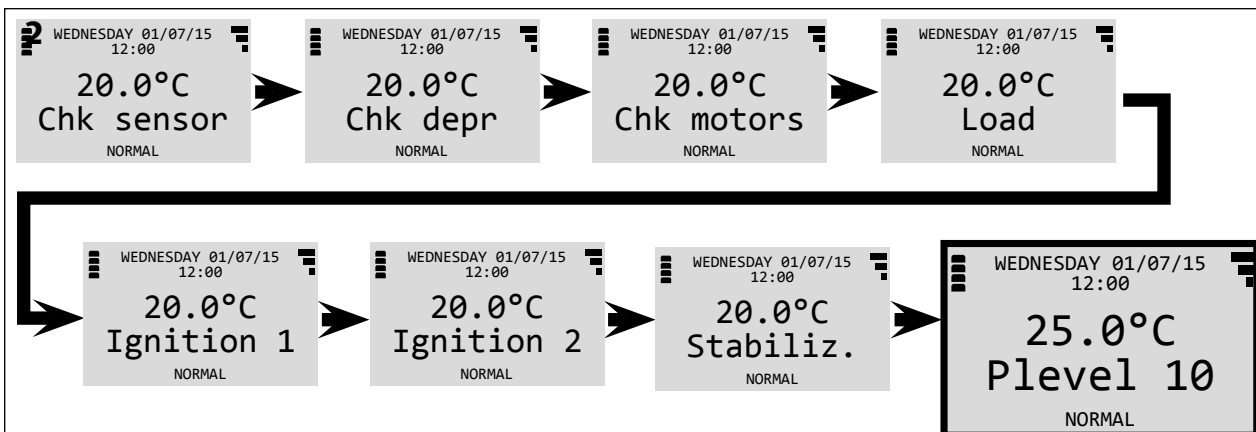
> To light your Stûv P-10, press and hold the button for 3 seconds 

> The appliance will review its various sensors.

> The stove then goes on to load the screws.

sufficient, the lighting phases start. The flame now appears (10 - 12 minutes).

> The lighting stages are completed as soon as the level is displayed on the screen (20 - 25 minutes).



Once the appliance is lit...

We advise you to let the appliance run a few minutes in order to check that it is functioning correctly (no alarm signal, good flame, etc.)

For more details on the operation of the appliance, please refer to the user manual supplied in addition to these installation instructions.

For any questions or comments, please do not hesitate to contact our customer service department via email: info@stuv.

ACCEPTANCE OF WORKS



THIS DOCUMENT CERTIFIES ACCEPTANCE OF THE WORK . THIS FORM IS TO BE COMPLETED BY THE INSTALLER IN 2 COPIES, 1 FOR THE INSTALLER, 1 FOR THE USER.

THE PURCHASER

SURNAME
FIRST NAME
ADDRESS WHERE WORKS WERE CARRIED OUT
POST CODE
TOWN/PLACE
COUNTRY
EMAIL ADDRESS
TELEPHONE NUMBER

INSTALLATION ENGINEER

COMPANY
EMAIL ADDRESS
TELEPHONE NUMBER

YOUR STUV STOVE 30-IN

SERIAL N°
DATE OF INSTALLATION

FLUE CHARACTERISTICS

HEIGHT OF FLUE IN M
DIAMETER OF FLUE IN MM
TYPE OF FLUE

CHECK OF SYSTEM'S SETTINGS

CHECK ON THE VACUITY OF THE FLUE
VALIDATION OF DRAUGHT
PELLET QUALITY CHECK
COMMENTS
.....
.....

SAFETY GUIDELINES

The use of this system has to comply with the installer's recommendations and the manufacturer's instructions which are set out in the directions for use issued to the customer with the invoice and this confirmation of acceptance.

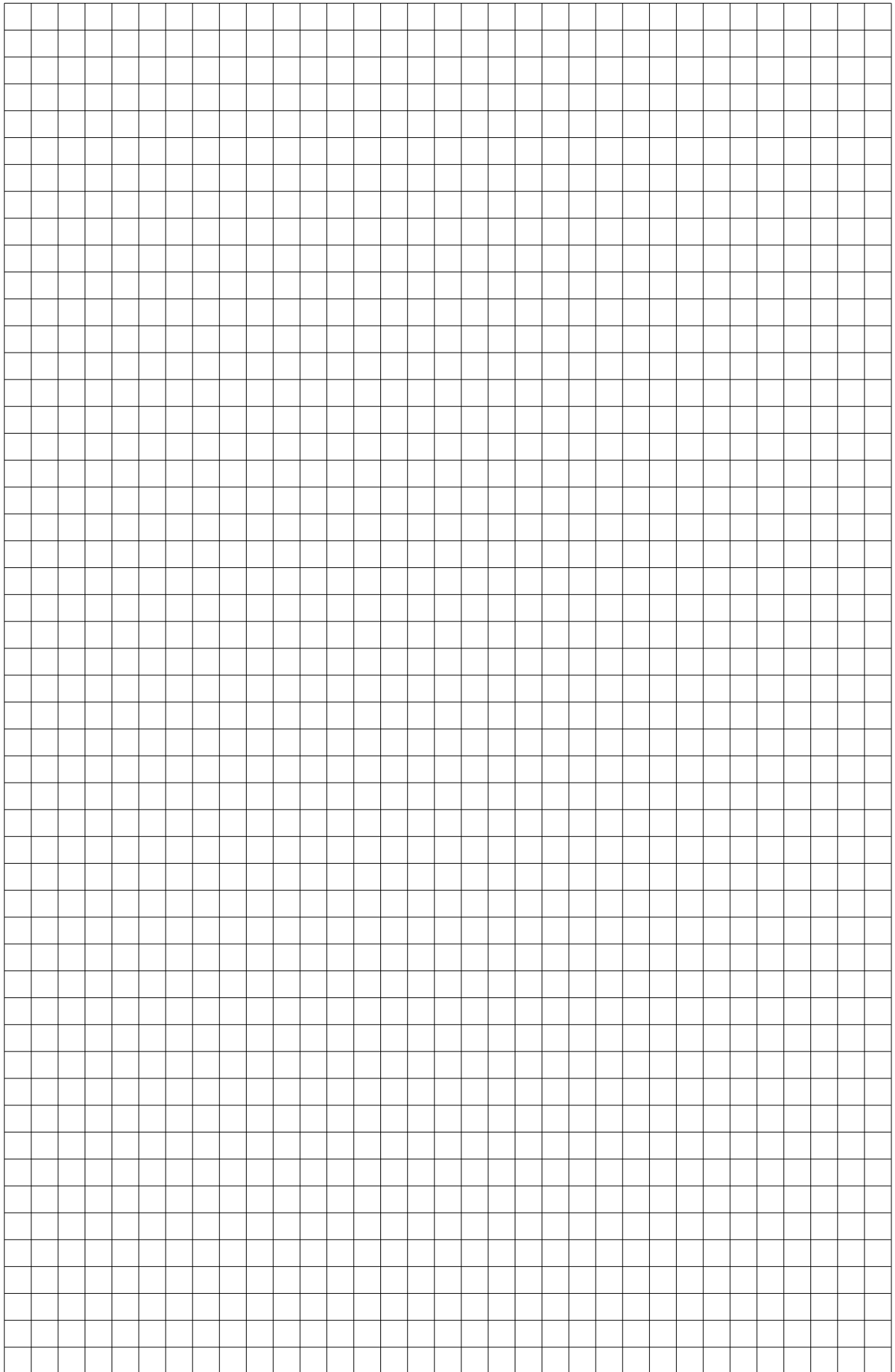
The performance and the longevity of the appliance are directly linked to the quality of the pellets used.

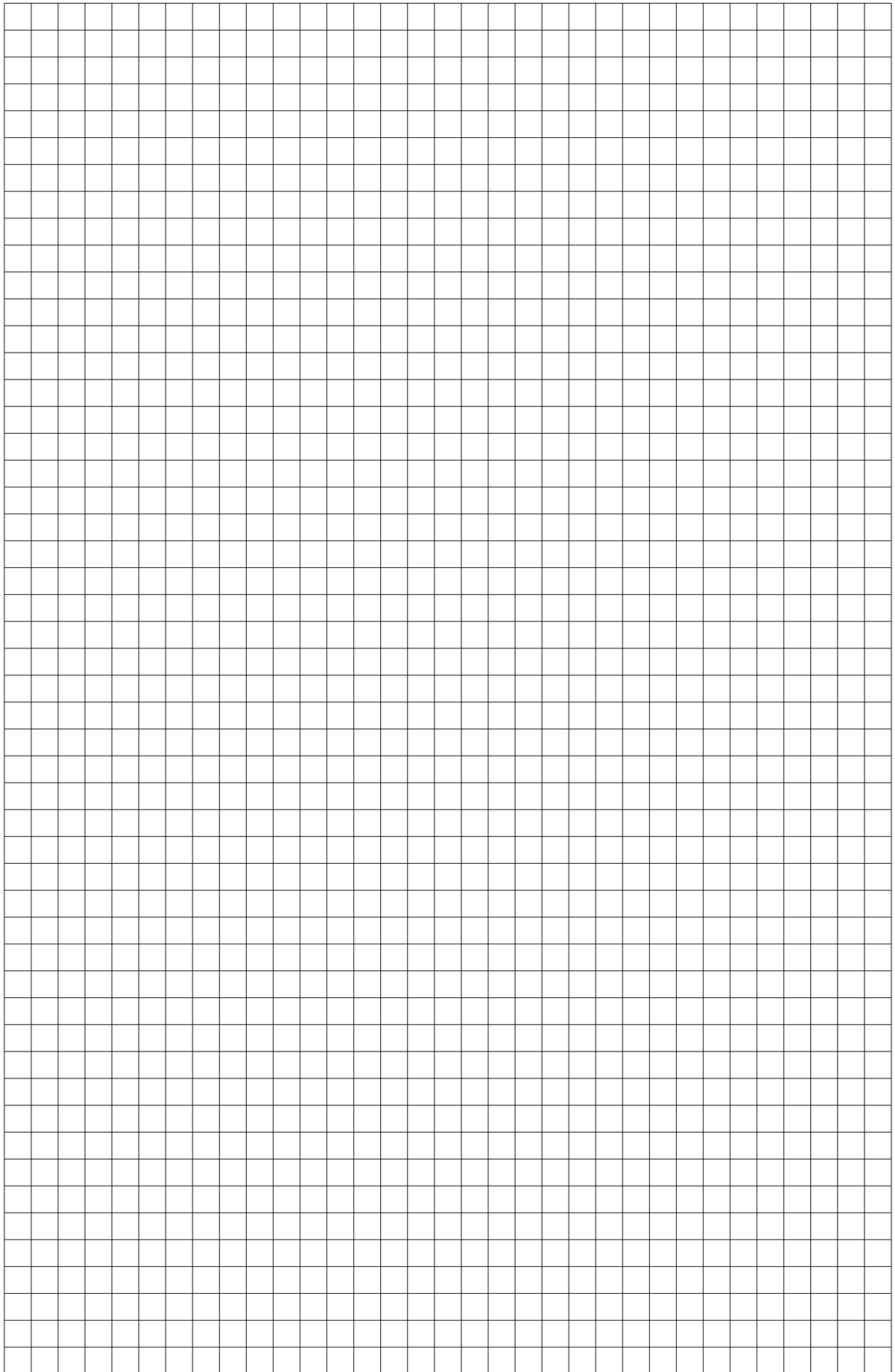
THE INSTALLATION ENGINEER (name written out in full and signature).....

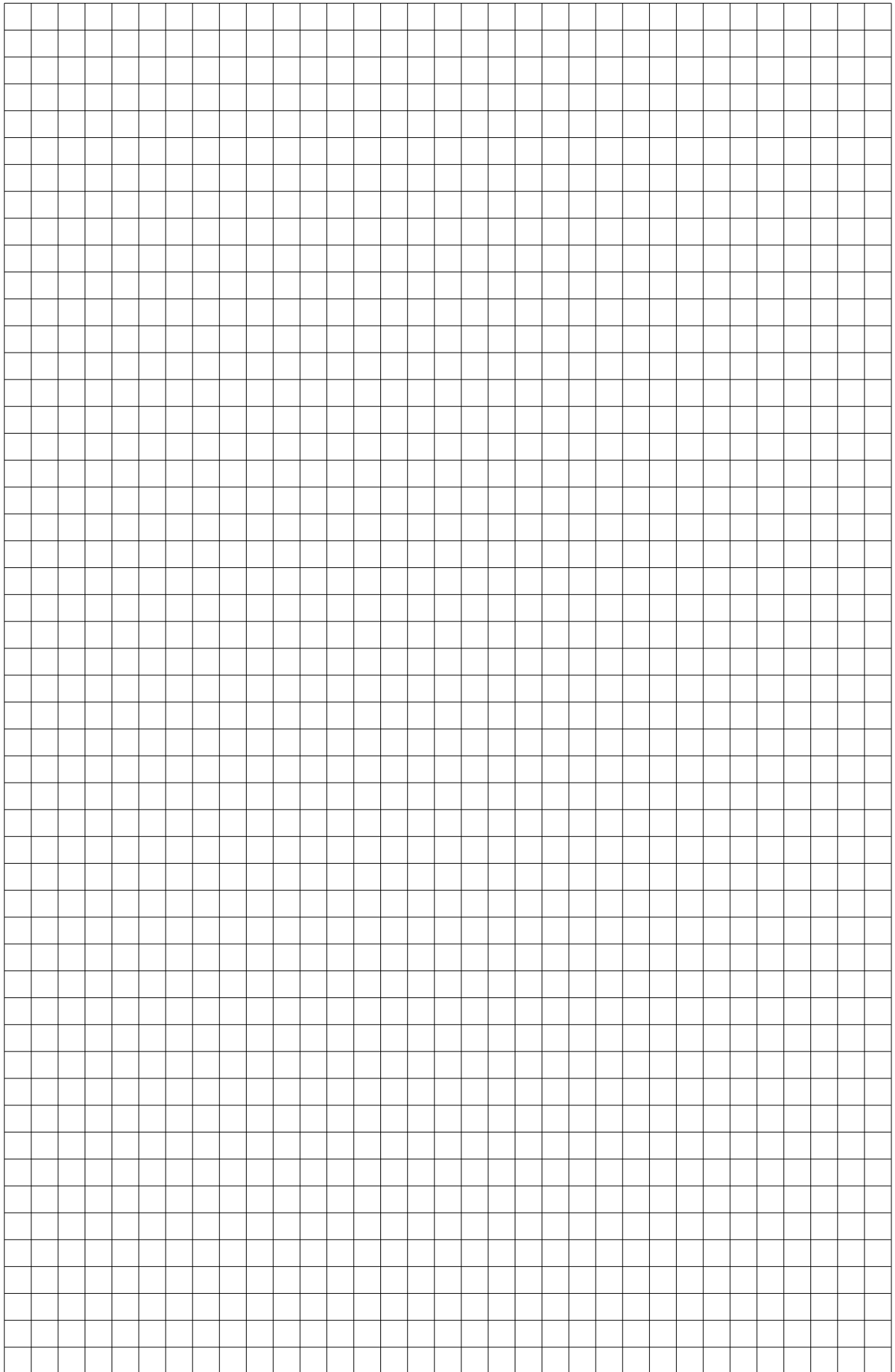
THE CUSTOMER (name written out in full and signature)

INSTRUCTIONS AND ADVICE ON LIGHTING, USE AND MAINTENANCE PROVIDED TO THE USER.









CONTACTS

Stûv stoves are designed and manufactured in Belgium by:

Stûv sa
rue Jules Borbouse 4
B-5170 Bois-de-Villers (Belgium)
info@stuv.com – www.stuv.com

Importer for Finland

Ilkka Alatarvas OY
Pikkujärventie 4B
01680 Vantaa
T 400 872 858
www.takkamaailma.com

Importer for Sweden

Eldoform Sverige AB
Slipgatan 2 – 117 39 Stockholm
T 0707 883 53 – www.eldoform.se

Importer for Denmark

Stove APS
Aldershvilevej 84 – 2880 Bagsvaerd
T 51 33 10 93

Importer for Estonia

Tulering Kaminasalong Oü
Sopruse 145 – 13417 Tallinn
T +372 56 249 004 - www.tulering.ee

Stûv reserves the right to make changes without prior notice.
These instructions have been produced with the greatest of care. However, we do not
accept responsibility for any errors that may have been made.
Editor: Gérard Pitance – rue Jules Borbouse 4 – 5170 Bois-de-Villers – Belgium

[nl] [de] [it] [es] [pt] [cz] [en] [fr] >
This document is available in several languages:
Contact your distributor or visit www.stuv.com
